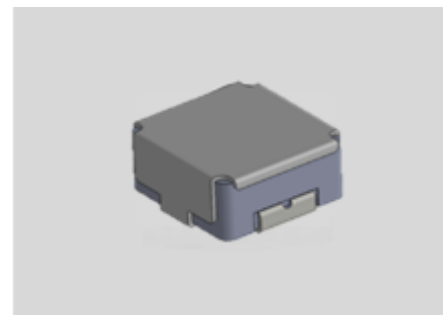


CMI-CMMPP10040HL-SC SERIES



Features

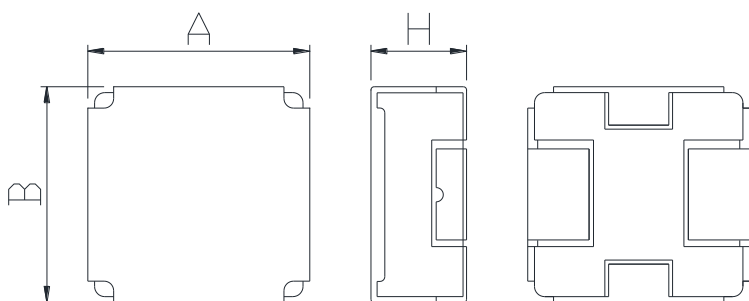
- ▶ High current and low profile.
- ▶ Metal powder molding type for EMC protection.
- ▶ Available tape and reel for auto insertion.
- ▶ Halogen-Free
- ▶ RoHS compliant.
- ▶ AEC-Q200 qualified.



Applications

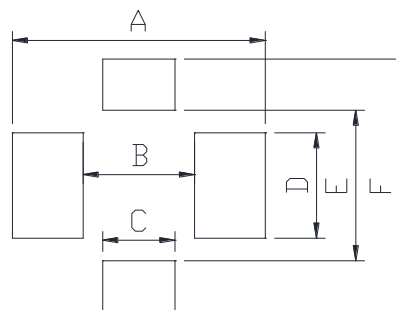
- ▶ Equipment using for automobiles (ECM, airbags, headlights, Electronic Powder steering, motors, ABS, other)

Dimension (Unit:mm)



A	B	H
11.1±0.5	10.4±0.4	4.3Max

Land Pattern (Unit:mm)



A	B	C	D	E	F
13.6	5.4	3.5	4.1	5.4	11.4

Specifications

Part Number	Inductance (uH) ±20%	DCR(mohm) Max(Typ)	IDC1(A) Max(Typ)	IDC2(A) Max(Typ)	Test Frequency (Hz)
CMI-CMMPP10040HL-R78M-SC	0.78	1.9(1.8)	22.50(25.00)	19.00(21.00)	1M
CMI-CMMPP10040HL-2R2M-SC	2.2	9.6(8.0)	21.00(23.00)	10.00(11.00)	1M
CMI-CMMPP10040HL-4R7M-SC	4.7	16.5(15.0)	15.00(17.00)	8.60(9.50)	1M
CMI-CMMPP10040HL-110M-SC	11	31.2(26.0)	8.60(9.50)	6.30(7.00)	1M

- IDC1: When based on the inductance change rate (approximately 30% below in the initial value)
- IDC2: When based on the temperature increase (Temperature increase of approximately 40°c by self heating)
- Operating Temperature Range(including self temperature) : -40°c ~ +165 °c

Ilsan Sales Office (KOREA) +82)31-904-1444 H.K Sales Office (HONGKONG) +852)2711-5551
 Shenzhen Sales Office (CHINA) +86)755-8663-6929 LA Sales Office (USA) +1)866-446-3586
 Hungary Sales office (EUROPE) +36)30-913-7706

• You can also contact us by e-mail : coilmaster@coilmaster.com

- All specifications are subject to change without notice.
- Update date : 2018.10.25