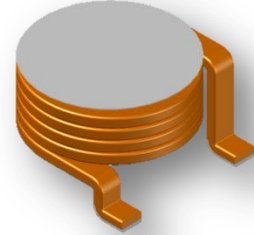


CMI-ASC1010-SERIES



Features

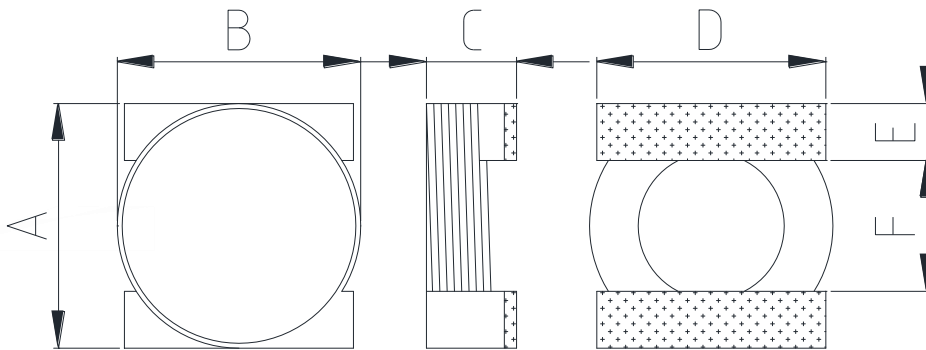
- ▶ High Q over a wide frequency range
- ▶ Tinned leads assure reliable soldering
- ▶ Standard EIA tape and reel packing
- ▶ Forms a flat top making them suitable for automatic placement and reflow.
- ▶ RoHS compliant.
- ▶ Halogen Free.



Applications

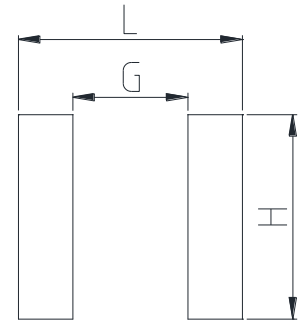
- ▶ Satellite communication systems, equipment (TV, STB, audio, etc)

Dimension (Unit:mm)



A	B	C	D	E
10.0 Max	10.0 Max	3.6~6.1	8.55±0.25	1.75 ref.

Land Pattern (Unit:mm)



L	G	H
10.45	5.37	9.53

Specifications

Part Number	Heigh C size (mm) ±0.1	Inductance (nH) ±20%	Q Typ.	Q TEST Freq. (MHz)	SRF(MHz) Min.	DCR (mohm) Max.(Typ.)	Rated DC Current(A) Max.
ASC1010-23NM	3.60	23	95	100	923	1.20(1.05)	26.00
ASC1010-46NM	4.10	46	150	100	526	1.62(1.50)	25.50
ASC1010-79NM	4.80	79	135	50	386	2.11(1.95)	25.00
ASC1010-R11M	5.60	110	150	50	382	2.73(2.53)	22.00
ASC1010-R14M	6.10	140	140	50	433	3.33(3.08)	19.30

- Inductance measured at 1 MHz, 0.1 Vrms, 0 A
- Rated DC Current : Current that causes the specified temperature rise from 25°C ambient.
- Operating Temperature Range(including self temperature) : -40°C ~ +125 °C

Ilisan Sales Office (KOREA) +82)31-904-1444
 Shenzhen Sales Office (CHINA) +86)755-8663-6929
 Hungary Sales office (EUROPE) +36)30-913-7706

H.K Sales Office (HONGKONG) +852)2711-5551
 LA Sales Office (USA) +1)866-446-3586

• You can also contact us by e-mail : coilmaster@coilmaster.com

- All specifications are subject to change without notice.
- Update date : 2015.11.09

www.coilmaster.com