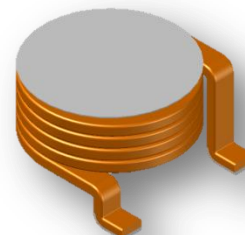


CMI-ASC1212-SERIES



Features

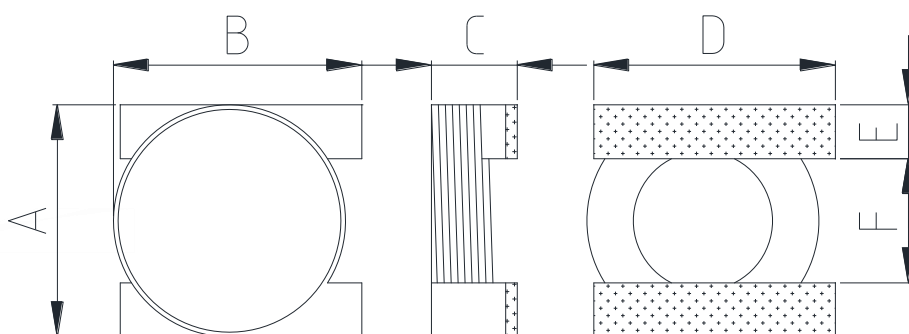
- ▶ High Q over a wide frequency range
- ▶ Tinned leads assure reliable soldering
- ▶ Standard EIA tape and reel packing
- ▶ Forms a flat top making them suitable for automatic placement and reflow.
- ▶ RoHS compliant.
- ▶ Halogen Free.



Applications

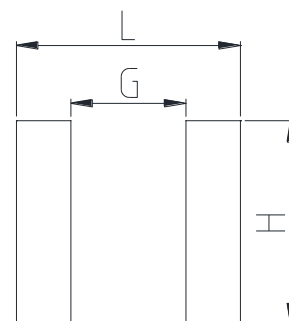
- ▶ Satellite communication systems, equipment (TV, STB, audio, etc)

Dimension (Unit:mm)



A	B	C	D	E
11.5 Max	12.0 Max	6.6~11.3	9.07±1.02	2.54 ref.

Land Pattern (Unit:mm)



L	G	H
12.14	5.54	10.34

Specifications

Part Number	Heigh C size (mm) ±0.1	Inductance (nH) ±20%	Q Typ.	Q TEST Freq. (MHz)	SRF(MHz) Min.	DCR (mohm) Max.(Typ.)	Rated DC Current(A) Max.
ASC1212-22NM	6.60	22	200	100	918	0.55(0.48)	57.00
ASC1212-42NM	7.60	42	195	50	557	0.77(0.70)	52.00
ASC1212-66NM	8.80	66	200	50	480	0.99(0.90)	48.00
ASC1212-90NM	10.40	90	175	50	444	1.21(1.10)	45.00
ASC1212-R11M	11.30	110	165	50	399	1.43(1.30)	44.00

- Inductance measured at 1 MHz, 0.1 Vrms, 0 A
- Rated DC Current : Current that causes the specified temperature rise from 25°C ambient.
- Operating Temperature Range(including self temperature) : -40°C ~ +125 °C

Ilisan Sales Office (KOREA) +82)31-904-1444
 Shenzhen Sales Office (CHINA) +86)755-8663-6929
 Hungary Sales office (EUROPE) +36)30-913-7706

H.K Sales Office (HONGKONG) +852)2711-5551
 LA Sales Office (USA) +1)866-446-3586

• You can also contact us by e-mail : coilmaster@coilmaster.com

- All specifications are subject to change without notice.
- Update date : 2015.11.09

www.coilmaster.com