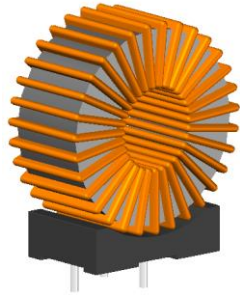


CMC-CATC22B-03-281



Picture

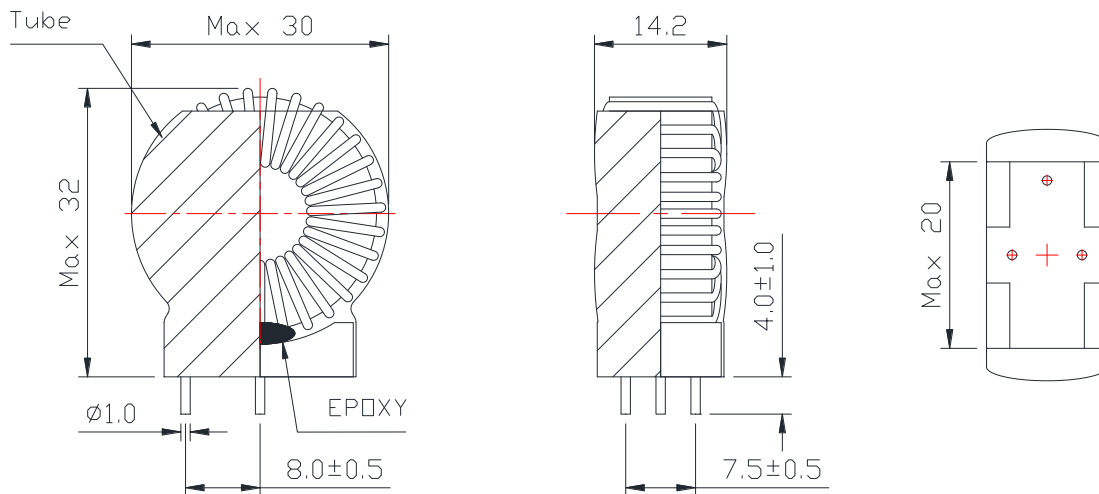


Features

- ▶ Amorphous Choke Coil
- ▶ Large current
- ▶ Simple and Shield structure
- ▶ RoHS compliant
- ▶ AEC-Q200 qualified.
- ▶ Halogen-Free

- ▶ Line Filter of AC adapters, battery chargers / LCD TV and PDP, SMPS

Dimension (Unit:mm)



Specifications

Part No.	Inductance (μH)	Rated Current (2.0A) Inductance (μH)	DC resistance Max. ($\text{m}\Omega$)	Test Frequency (Hz)
CMC-CATC22B-03-281	280 Min.	280 Min.	50.0	1k

- Storage temperature range : $-40\text{ }^{\circ}\text{C} \sim +85\text{ }^{\circ}\text{C}$
- Operating Temperature Range(including self temperature) : $-40\text{ }^{\circ}\text{C} \sim +105\text{ }^{\circ}\text{C}$

Ilsan Sales Office (KOREA) +82)31-904-1444
 Shenzhen Sales Office (CHINA) +86)755-8663-6929
 Hungary Sales office (EUROPE) +36)30-913-7706

H.K Sales Office (HONGKONG) +852)2711-5551
 LA Sales Office (USA) +1)866-446-3586

▪ You can also contact us by e-mail : coilmaster@coilmaster.com

- All specifications are subject to change without notice.
- Update date : 2019.10.30

www.coilmaster.com