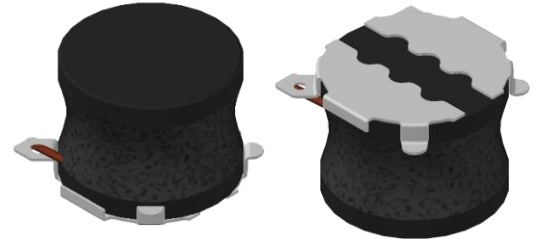


CMI-CDP6045NF-SERIES

Features

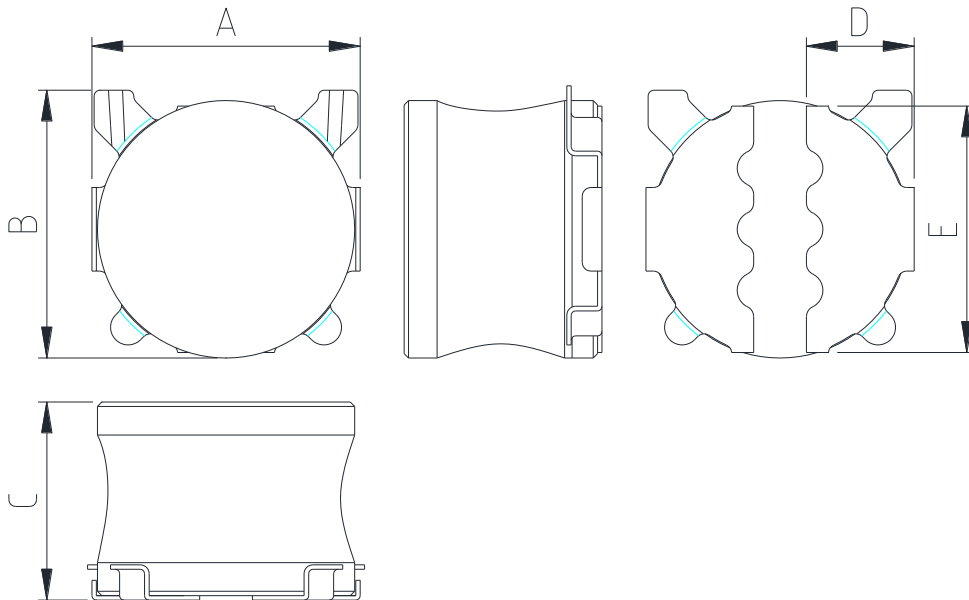
- ▶ SMD inductor.
- ▶ Resin shielded construction.
- ▶ Available tape and reel for auto insertion.
- ▶ RoHS compliant.
- ▶ Halogen-Free.
- ▶ AEC-Q200 qualified.



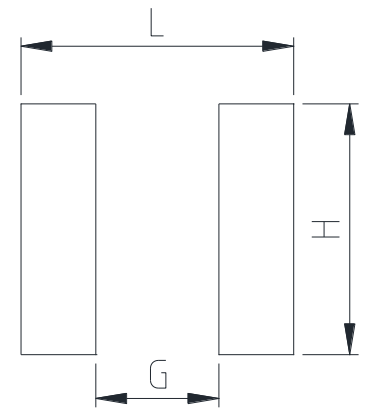
Applications

- ▶ Automotive-related equipment.
(Car navigation, car audio, electronic power steering, headlights, other)

Dimension (Unit:mm)

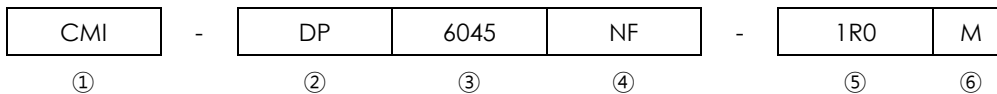


Land Pattern (Unit:mm)



A	B	C	D	E	G	H	L
6.0 ±0.2	6.0 ±0.2	4.5 Max.	2.45 ±0.2	5.6 ±0.2	2.8	5.7	6.2

Regulation of part number



- ① CoilMaster's initial
- ② Series Name : Car Drum core Pin type Power inductor
- ③ Core Size (unit:mm)
- ④ Type
- ⑤ Typical inductance value (1.0uH)
- ⑥ Inductance tolerance ($\pm 20\%$)

Specifications

Part Number	Inductance (uH)	Tolerance (\pm)	DCR (mohm) Max.(Typ.)	Isat(A) Max.(Typ.)	Itemp(A) Max.(Typ.)	Test Frequency (Hz)
CMI-CDP6045NF-1R0M	1.0	20%	15.6(13)	9.50(10.00)	8.20(7.80)	100k
CMI-CDP6045NF-3R3M	3.3	20%	30.6(25.5)	5.20(5.70)	5.20(5.70)	100k
CMI-CDP6045NF-4R7M	4.7	20%	32.4(27)	3.60(3.90)	3.50(3.80)	100k
CMI-CDP6045NF-100M	10	20%	61.2(51)	3.20(3.40)	2.45(2.60)	100k
CMI-CDP6045NF-220M	20	20%	117.6(98)	2.00(2.30)	1.70(2.20)	100k
CMI-CDP6045NF-330M	33	20%	170.4(142)	1.90(2.20)	1.60(2.10)	100k
CMI-CDP6045NF-101M	100	20%	453(378)	1.40(1.50)	1.30(1.40)	100k
CMI-CDP6045NF-221M	220	20%	960(800)	0.90(1.00)	0.90(1.00)	100k

- Isat: When based on the inductance change rate (approximately 20% below in the initial value)
- Itemp: When based on the temperature increase (Temperature increase of approximately 40°C by self heating)
- Operating Temperature Range(including self temperature) : -40°C ~ +125 °C

Note 1 : Circuit design, component placement, PCB trace size and thickness, airflow and other cooling. Provision all affect the part Temperature. Part temperature should be verified in the end application.

▪ You can also contact us by e-mail : coilmaster@coilmaster.com

- All specifications are subject to change without notice.
- Update date : 2015.11.19

www.coilmaster.com

Packaging

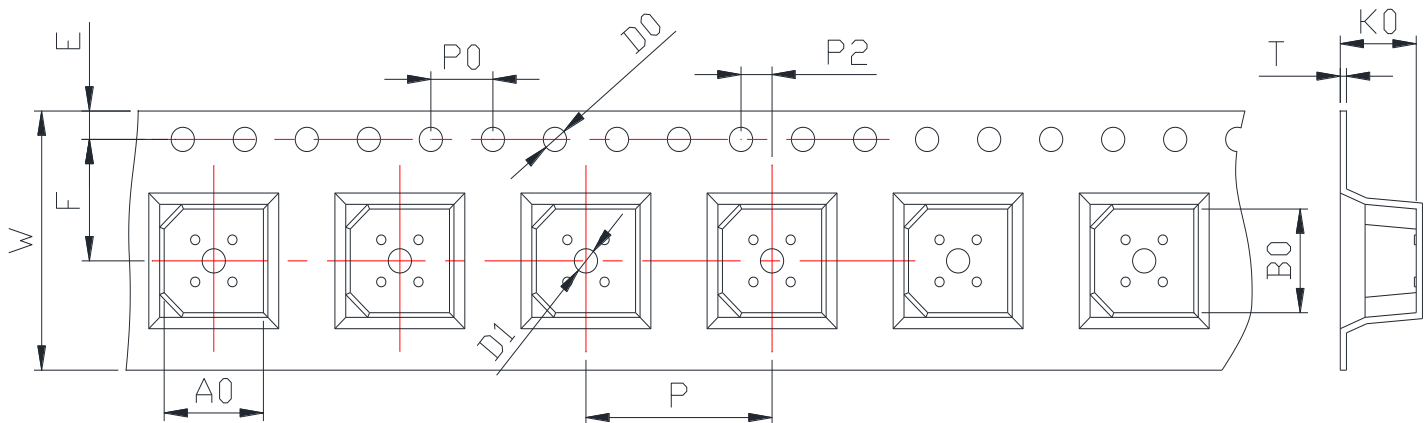
(1) Package quantity : 1,000 (pcs/reel)

(2) Reel Dimensions (unit:mm)



A	B	C	D	E	F	G
16.50	100.0	2.30	330.0	2.30	21.50	13.00
+0.50	+1.00	+0.20	+3.00	+0.20	+0.30	+0.40
-0.50	-1.00	-0.20	-3.00	-0.20	-0.30	-0.40

(3) Tape Dimensions



W	A0	B0	K0	E	F	P	P0	P2	D0/D1	T
16.00	6.40	6.40	4.90	1.75	7.50	12.00	4.00	2.00	1.50	0.40
+0.30	+0.10	+0.10	+0.10	+0.10	+0.10	+0.10	+0.10	+0.10	+0.10	+0.05
-0.10	-0.10	-0.10	-0.10	-0.10	-0.10	-0.10	-0.10	-0.10	-0.00	-0.05

Korea Sales Office (KOREA) +82)31-904-1444
 China Sales Office (CHINA) +86)0758-683-1444
 Hungary Sales office (EUROPE) +36)1-404-5832

H.K Sales Office (HONGKONG) +852)2711-5551
 LA Sales Office (USA) +1)714-616-6989

• You can also contact us by e-mail : coilmaster@coilmaster.com

- All specifications are subject to change without notice.
- Update date : 2015.11.19

www.coilmaster.com