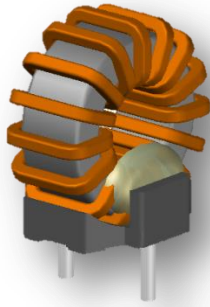




CMC-CATC13B-01-200

Picture



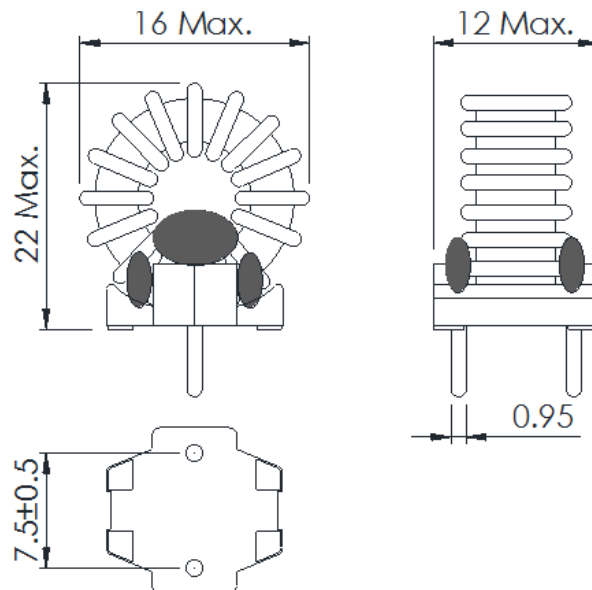
Features

- ▶ High Flux Density
- ▶ High DC Bias
- ▶ RoHS Compliant
- ▶ AEC-Q200 qualified

Applications

- ▶ Car Audio, Car AMP Audio, switching Regulator Inductors, In-Line Noise Filters

Dimension (Unit:mm)



Specifications

Part No.	Inductance (μH) $\pm 15\%$ (S-F)	DCR Max.(Ω) (S-F)	HI-POT (Coil-Core)	Insulation Resistance (Coil-Core)
CMC-CATC13B-01-200	20	0.03	AC 0.5kVrms, 1 Min.	DC500V, 100M Ω Min.

- Inductance Test Condition : 1kHz, 1.0V
- HI-POT Test Condition : Cut off Current, 2Ma(60Hz)
- Core Material : SENDUST
- Test Condition : Temperature 25 °c \pm 5 °c, Humidity 65% \pm 20%
- Operating Temperature Range(Including self temperature) : -40 °c~165 °c

Ilsan Sales Office (KOREA) +82)31-904-1444
 Shenzhen Sales Office (CHINA) +86)755-8663-6929
 Hungary Sales office (EUROPE) +36)30-913-7706

H.K Sales Office (HONGKONG) +852)2711-5551
 LA Sales Office (USA) +1)866-446-3586

▪ You can also contact us by e-mail : coilmaster@coilmaster.com

- All specifications are subject to change without notice.
- Update date : 2018.07.16

www.coilmaster.com