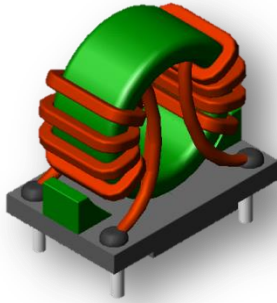


CMC-CATC16B-01-121



Picture



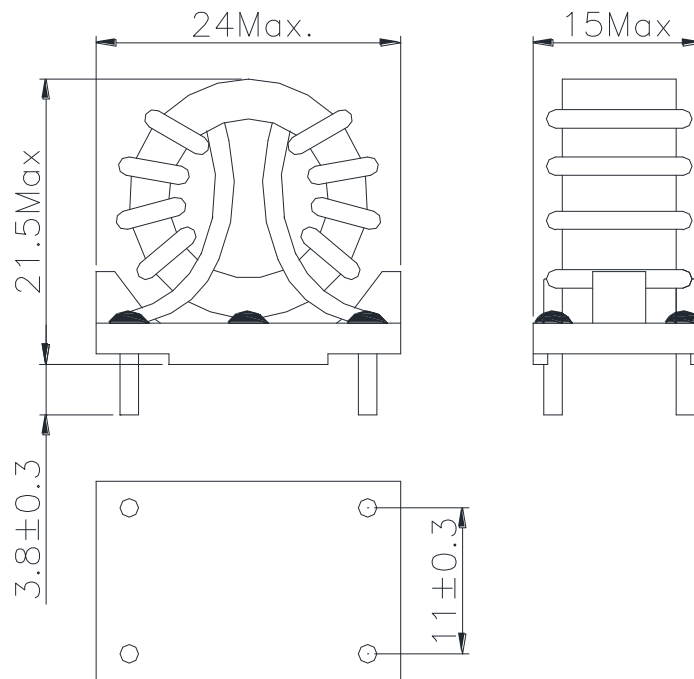
Features

- ▶ Large Current
- ▶ RoHS Compliant
- ▶ AEC-Q200 qualified

Applications

- ▶ Line Filter of AC adapters, battery chargers / LCD, LED TV, SMPS

Dimension (Unit:mm)



Specifications

Part No.	Inductance (μ H) $\pm 35\%$ (1S-4F)(2S-3F)	DCR Max. (m Ω) $\pm 35\%$ (1S-4F)(2S-3F)	HI-POT (N1-N2)	Insulation Resistance (Core-Coil)
CMC-CATC16B-01-121	125	1.8	5mA Max.	DC500V, 100M Ω Min.

- Inductance Test Condition : 1kHz, 1.0V / Rated Voltage : AC 250V or DC 250V
- HI-POT Test Condition : 1.0kVac, 2sec, 60Hz / Withstand Voltage : AC 1,500V for 1 min. Between Lines
- Insulation Resistance : 300M ohm min after applying DC500C for 1min. Between Line to base
- Core Material : FERRITE
- Operating Temperature Range(Including self temperature) : -40 °c~165 °c

Ilisan Sales Office (KOREA) +82)31-904-1444
 Shenzhen Sales Office (CHINA) +86)755-8663-6929
 Hungary Sales office (EUROPE) +36)30-913-7706

H.K Sales Office (HONGKONG) +852)2711-5551
 LA Sales Office (USA) +1)866-446-3586

▪ You can also contact us by e-mail : coilmaster@coilmaster.com

- All specifications are subject to change without notice.
- Update date : 2018.07.16

www.coilmaster.com