

CMC-CATC22B-SERIES



Picture



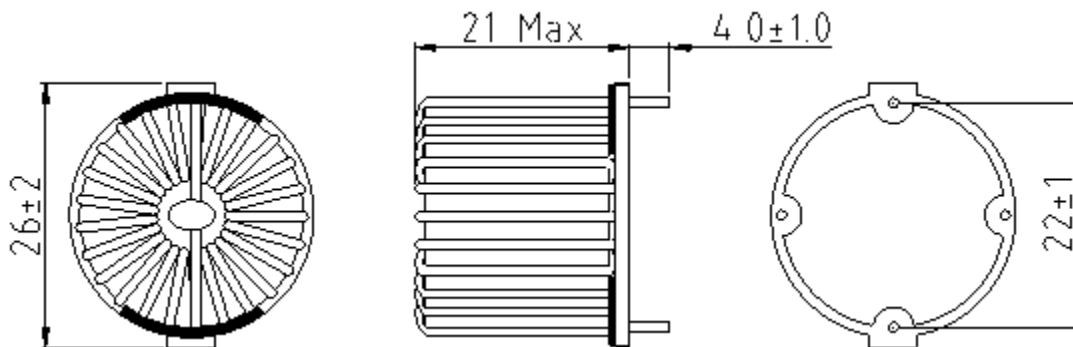
Features

- ▶ Amorphous Choke Coil
- ▶ Large current
- ▶ Simple and Shield structure
- ▶ RoHS compliant
- ▶ AEC-Q200 qualified.
- ▶ Halogen-Free

Applications

- ▶ Line Filter of AC adapters, battery chargers / LCD TV and PDP, SMPS

Dimension (Unit:mm)



Specifications

Part No.	Inductance (μ H)	Tolerance (\pm)	DC resistance Max. (m Ω)	Rated Current Isat Typ.(A)	Test Frequency (Hz)
CMC-CATC22B-03-600	60	30%	23	7.0	1k
CMC-CATC22B-03-301	300	20%	50	4.0	1k
CMC-CATC22B-03-501	500	20%	80	2.0	1k

- Storage temperature range : -25 °c ~ +105 °c
- Operating Temperature Range(including self temperature) : -40 °c ~ +130 °c
- Isat : L drop 30%

Ilsan Sales Office (KOREA) +82)31-904-1444
 Shenzhen Sales Office (CHINA) +86)755-8663-6929
 Hungary Sales office (EUROPE) +36)30-913-7706

H.K Sales Office (HONGKONG) +852)2711-5551
 LA Sales Office (USA) +1)866-446-3586

• You can also contact us by e-mail : coilmaster@coilmaster.com

- All specifications are subject to change without notice.
- Update date : 2016.04.22

www.coilmaster.com