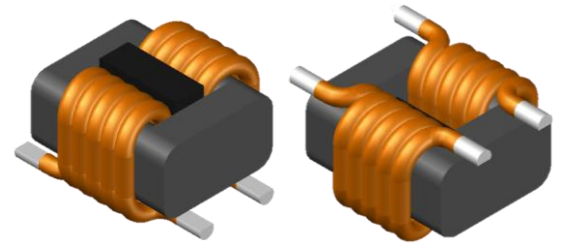


CME-CPCF1613PN-SERIES

Common mode filter for Power line

Features

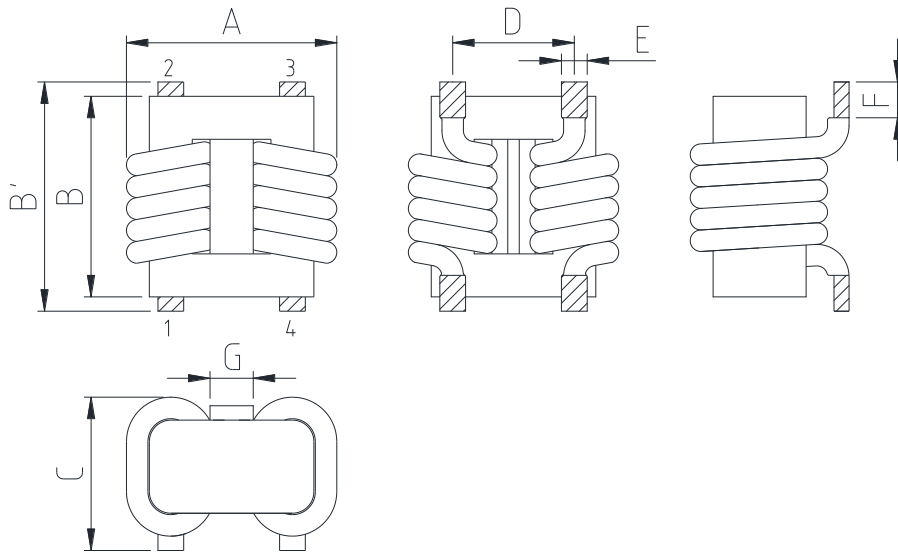
- ▶ Due to the compact design, it is suitable for surface mount.
- ▶ Custom options for inductance, impedance, DCR and current rating are available.
- ▶ Have achieved miniaturization while keeping Characteristics by adoption of exclusive square type closed magnetic cores.



Applications

- ▶ High current and high temperature applications
- ▶ DC/DC converters.
- ▶ EMI Filters
- ▶ Motor noise suppression.

Dimension (Unit:mm)

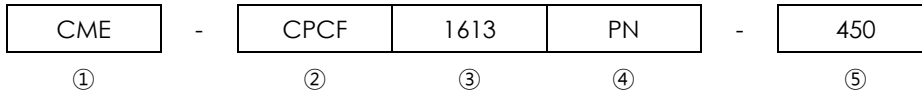


Value	A	B'	B	C	D	E	F	G
450	16.5 Max.	16.5 Max.	14.0 ±1.0	13.0 Max.	8.5 Typ.	2.2 Typ.	2.5 Typ.	4.0 Typ.
680	16.5 Max.	16.5 Max.	14.0 ±1.0	13.0 Max.	8.5 Typ.	1.2 Typ.	2.5 Typ.	4.0 Typ.
101	16.5 Max.	16.5 Max.	14.0 ±1.0	13.0 Max.	8.5 Typ.	1.1 Typ.	2.5 Typ.	4.0 Typ.

• You can also contact us by e-mail : coilmaster@coilmaster.com

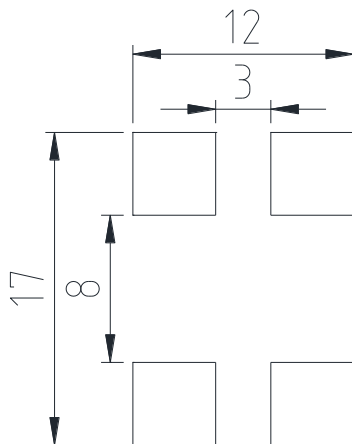
- All specifications are subject to change without notice.
- Update date : 2024.03.22

Regulation of part number

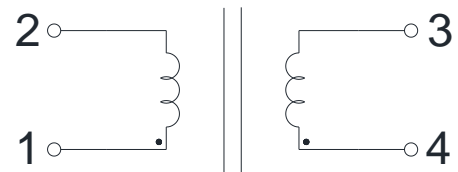


- ① CoilMaster's initial
- ② Series Name : Car Power line Common mode Filter
- ③ Size (unit:mm)
- ④ Type
- ⑤ Typical inductance value (45.0 uH)

Recommended Land Pattern

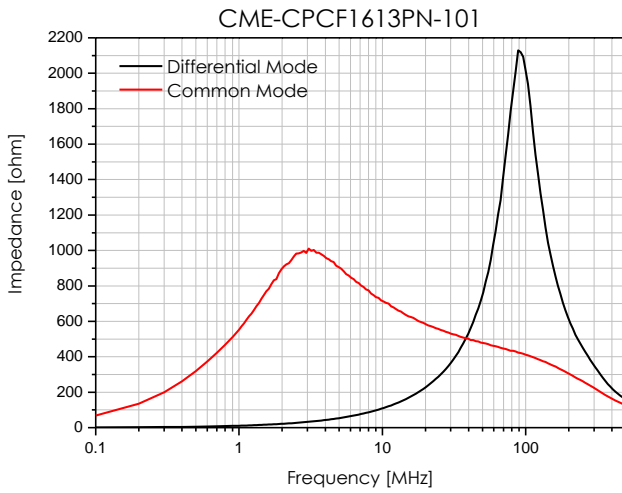
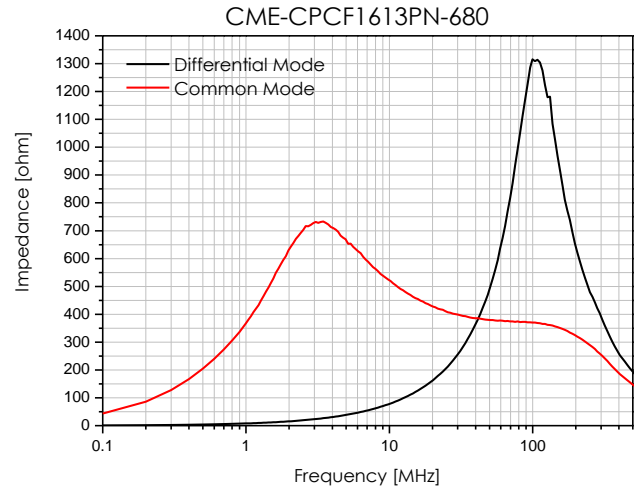
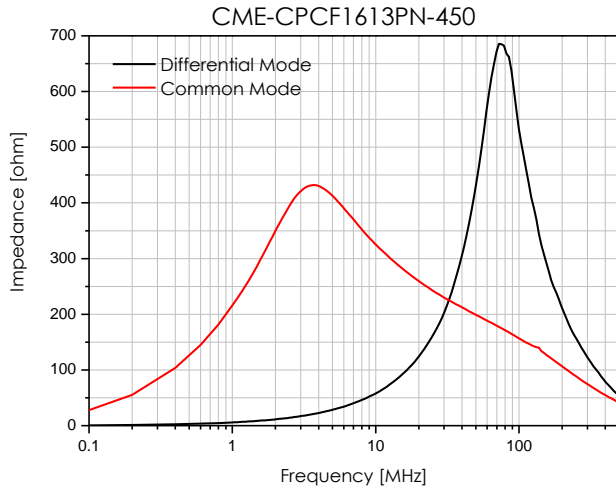


Circuit Diagram



- You can also contact us by e-mail : coilmaster@coilmaster.com
- All specifications are subject to change without notice.
- Update date : 2024.03.22

Electrical characteristics

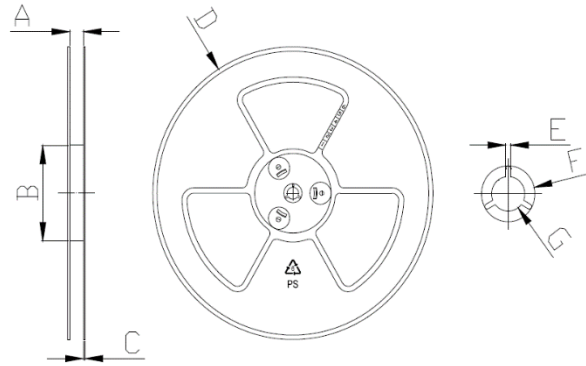


- You can also contact us by e-mail : coilmaster@coilmaster.com
- All specifications are subject to change without notice.
- Update date : 2024.03.22

Packaging

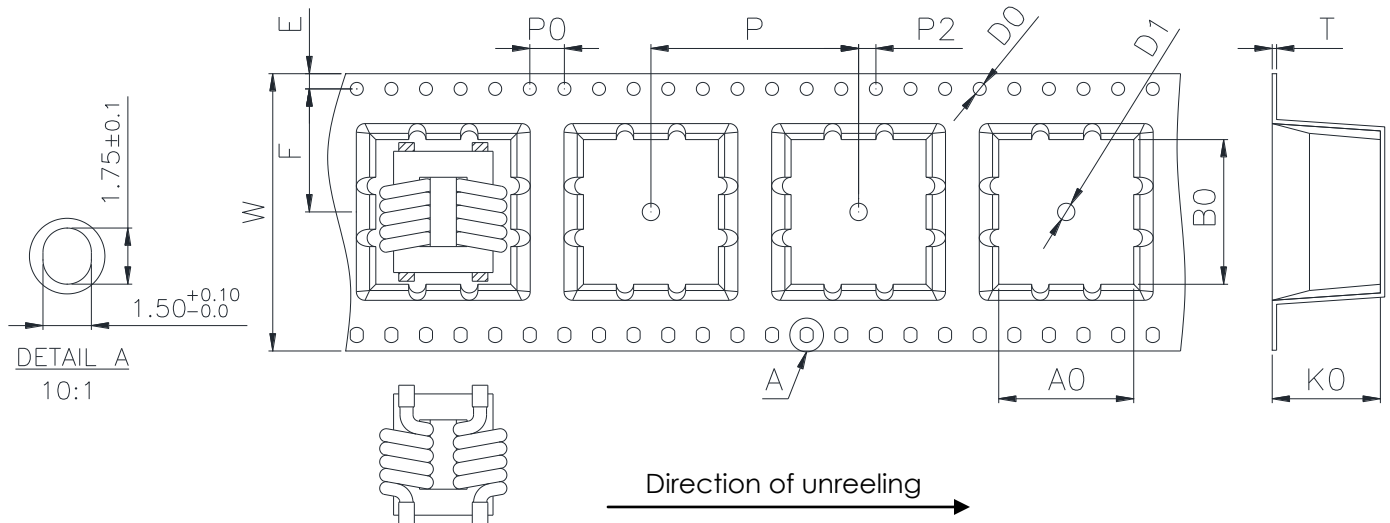
(1) Package quantity : 200 (pcs/reel)

(2) Reel Dimensions (unit:mm)



A	B	C	D	E	F	G
32.50	100.0	2.30	330.0	2.30	21.50	13.00
+0.50	+1.00	+0.30	+3.00	+0.30	+0.30	+0.50
-0.50	-1.00	-0.30	-3.00	-0.30	-0.30	-0.20

(3) Tape Dimensions



W	A0	B0	K0	E	F	P	P0	P2	D0	D1	T
32.00	15.60	16.70	12.50	1.75	14.20	24.00	4.00	2.00	1.50	2.00	0.50
+0.30	+0.10	+0.10	+0.10	+0.10	+0.10	+0.15	+0.10	+0.15	+0.10	+0.10	+0.05
-0.30	-0.10	-0.10	-0.10	-0.10	-0.10	-0.15	-0.10	-0.15	-0.00	-0.00	-0.05

Korea Sales Office (KOREA) +82)31-904-1444
 China Sales Office (CHINA) +86)0758-683-1444
 Hungary Sales office (EUROPE) +36)1-404-5832

H.K Sales Office (HONGKONG) +852)2711-5551
 LA Sales Office (USA) +1)714-616-6989

• You can also contact us by e-mail : coilmaster@coilmaster.com

- All specifications are subject to change without notice.
- Update date : 2024.03.22

www.coilmaster.com