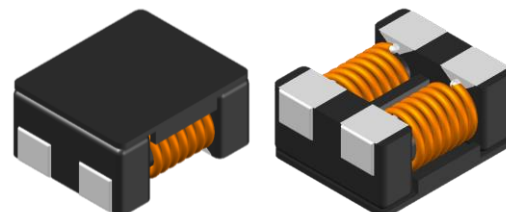


# CME-CPCF474521PN-SERIES

## Features

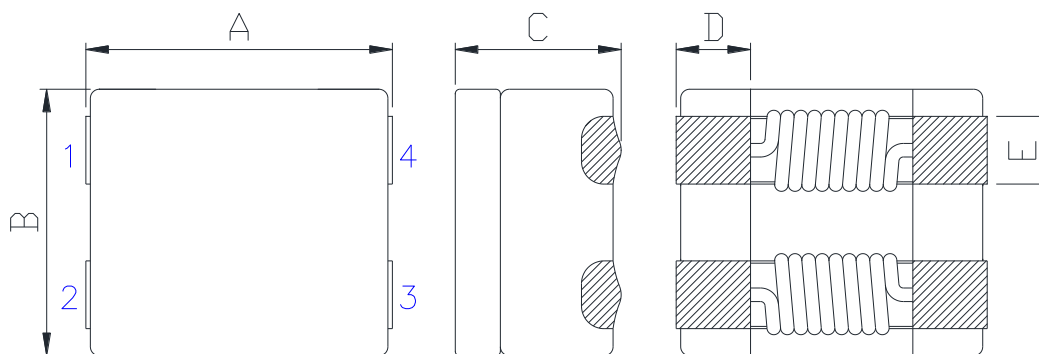
- ▶ It is suitable for surface mount.
- ▶ High impedance characteristic has been achieved a superior effect for common mode noise suppression.
- ▶ Have achieved miniaturization while keeping characteristics by adoption of exclusive square type closed magnetic cores.



## Applications

- ▶ Measures against common mode noise in power lines for various DC power lines, multimedia devices, and various electronic devices, including automotive power trains and safety applications.

## Dimension (Unit:mm)



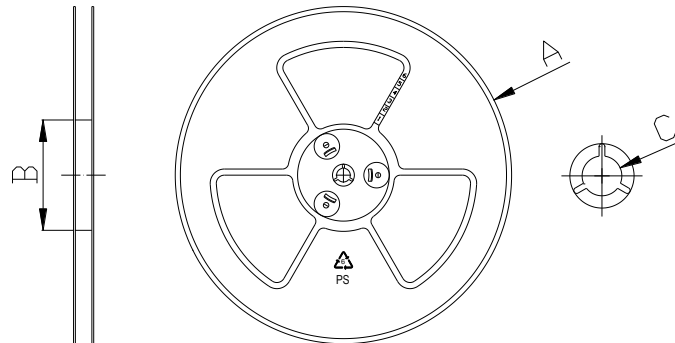
A	B	C	D	E
5.2 ±0.8	4.5 ±0.5	2.1 Max.	1.0 Typ.	0.8 Typ.



## Packaging

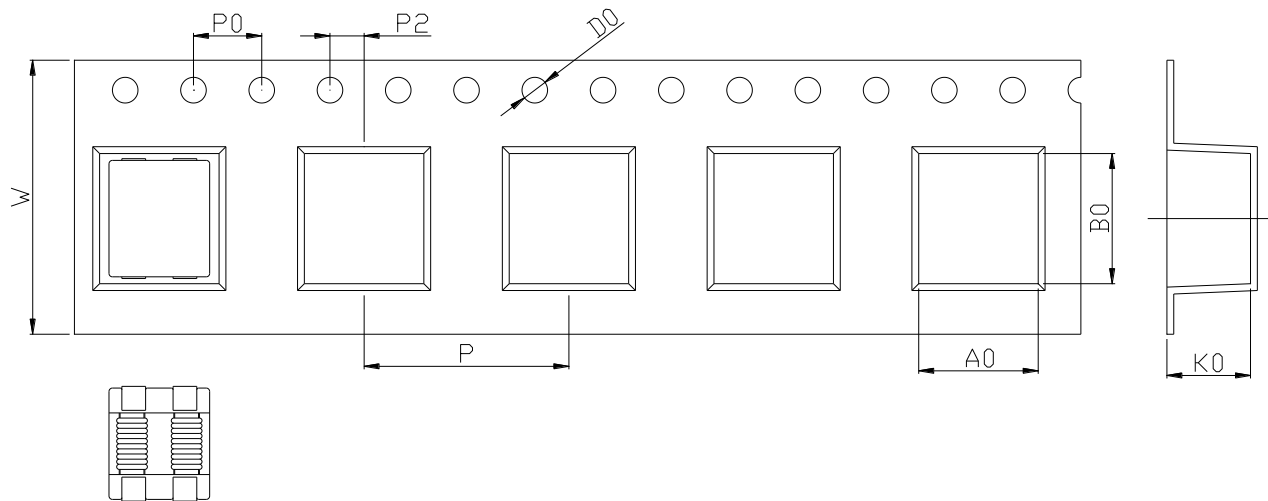
(1) Package quantity : 500 (pcs/reel)

(2) Reel Dimensions (unit:mm)



A	B	C
178	60	13

(3) Tape Dimensions



W	A0	B0	K0	P	P0	P2	D0
12.0	5.5	6.0	2.5	8.0	4.0	2.0	1.5

Korea Sales Office (KOREA) +82)31-904-1444  
 China Sales Office (CHINA) +86)0758-683-1444  
 Hungary Sales office (EUROPE) +36)1-404-5832

H.K Sales Office (HONGKONG) +852)2711-5551  
 LA Sales Office (USA) +1)714-616-6989

• You can also contact us by e-mail : [coilmaster@coilmaster.com](mailto:coilmaster@coilmaster.com)

- All specifications are subject to change without notice.
- Update date : 2023.05.03

[www.coilmaster.com](http://www.coilmaster.com)