

CME-CPM CB321616A-SERIES

Features

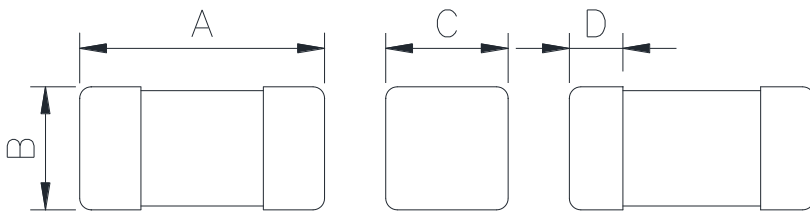
- ▶ Halogen-Free / RoHS compliant.
- ▶ Small size chips generate high impedance
- ▶ Monolithic structure for high reliability
- ▶ Excellent solderability and high heat resistance for either flow or reflow soldering
- ▶ The PMCB series can be used on particularly high current circuits due to its extremely low DC resistance.



Applications

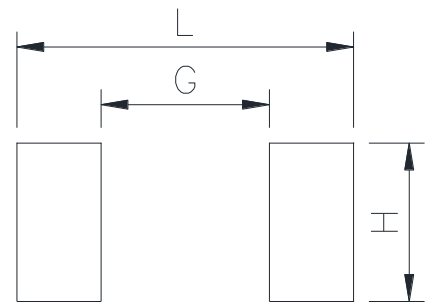
- ▶ Mother board, Tablet PC, Notebook, Desktop computers and peripheral equipment / DSC, DVC, LCD TV, Set top box / Digital communication equipment / Various automotive electronics / Various power line of electronic equipment

Dimension (Unit:mm)



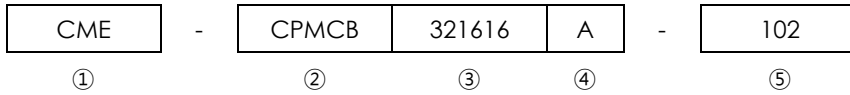
A	B	C	D
3.2 ±0.2	1.6 ±0.2	1.6 ±0.2	0.4 ~ 1.0

Land Pattern (Unit:mm)



L	G	H
4.40	2.20	2.06

Regulation of part number



- ① CoilMaster's initial
- ② Product Series Name
- ③ Dimension (unit:mm)
- ④ Material Code
- ⑤ Normal Impedance (102 : 1000 ohm)

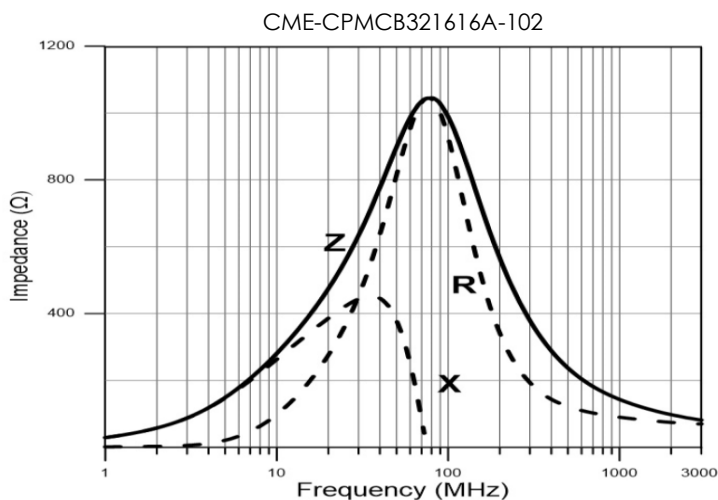
Specifications

Part Number	Impedance (ohm) $\pm 25\%$	DCR(ohm) Max.	Rated Current (A)Max.
CME-CPMCB321616A-102	1000	0.075	2.00

- Test Condition : 100 MHz, 500 mV
- Rated Current : the DC current value having temperature increased 40 °c after thru DC current 2 hours at ambient temperature.
- Storage Temperature Range : -40 °c ~ +85 °c
- Operating Temperature Range : -55 °c ~ +125 °c

Note 1 : Circuit design, component placement, PCB trace size and thickness, airflow and other cooling. Provision all affect the part Temperature. Part temperature should be verified in the end application.

Electrical characteristics

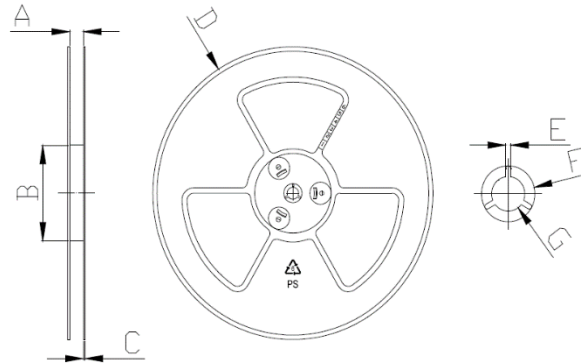


- You can also contact us by e-mail : coilmaster@coilmaster.com
- All specifications are subject to change without notice.
- Update date : 2024.09.24

Packaging

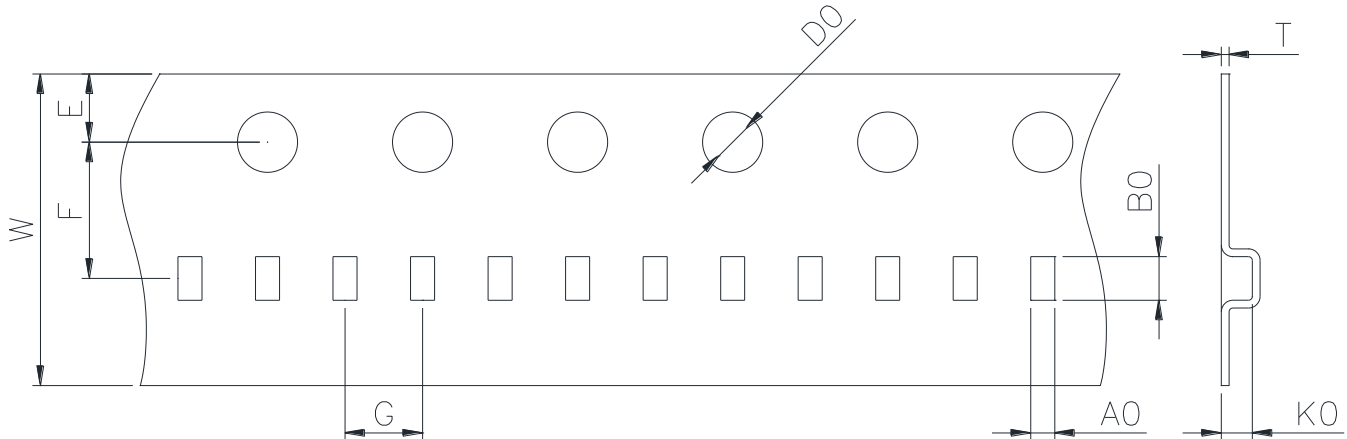
(1) Package quantity : 2,000 (pcs/reel)

(2) Reel Dimensions (unit:mm)



A	B	C	D	E	F	G
10.00		2.00	178.0	2.00	21.00	13.00
+1.50	50 Min.	+0.50	+2.00	+0.50	+0.80	+0.50
-1.50		-0.50	-2.00	-0.50	-0.80	-0.50

(3) Tape Dimensions



W	A0	B0	T	E	F	G	D0	K0
8.00	1.88	3.53	0.22	1.75	3.50	4.00	1.55	2.02
+0.20	+0.10	+0.10	+0.05	+0.10	+0.05	+0.10	+0.05	+0.25
-0.20	-0.10	-0.10	-0.05	-0.10	-0.05	-0.10	-0.05	-0.25

Korea Sales Office (KOREA) +82)31-904-1444
 China Sales Office (CHINA) +86)0758-683-1444
 Hungary Sales office (EUROPE) +36)1-404-5832

H.K Sales Office (HONGKONG) +852)2711-5551
 LA Sales Office (USA) +1)714-616-6989

• You can also contact us by e-mail : coilmaster@coilmaster.com

- All specifications are subject to change without notice.
- Update date : 2024.09.24

www.coilmaster.com