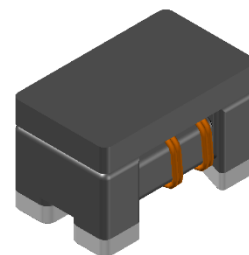


CME-CSCF201212U-SERIES

Features

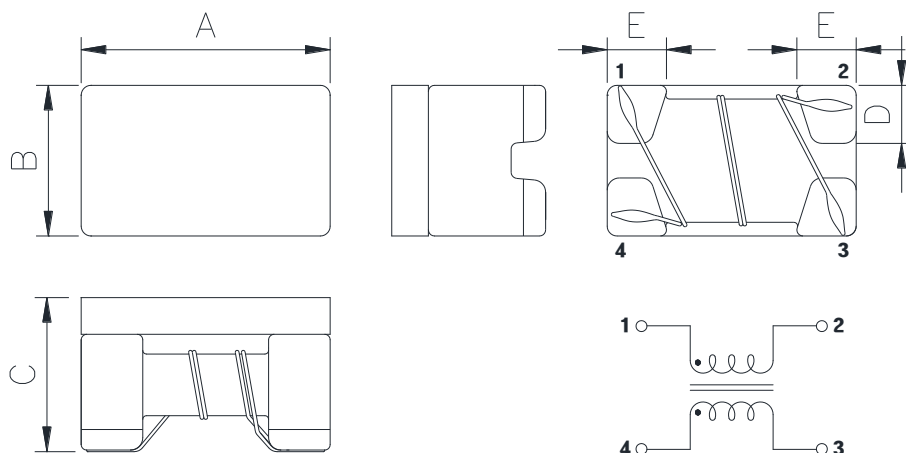
- ▶ High common mode impedance at high frequency effects excellent noise suppression performance.
- ▶ Realizes small size and low profile.
- ▶ Halogen-Free.
- ▶ RoHS compliant.
- ▶ AEC-Q200 qualified.



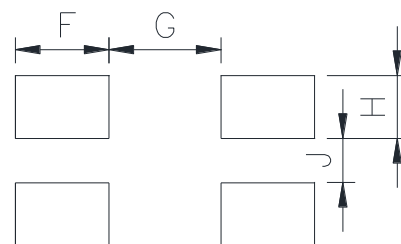
Applications

- ▶ Common mode noise suppression of signal lines in high speed and high density digital equipment such as personal computers and peripherals.
- ▶ Excellent for USB 3.0

Dimension (Unit:mm)

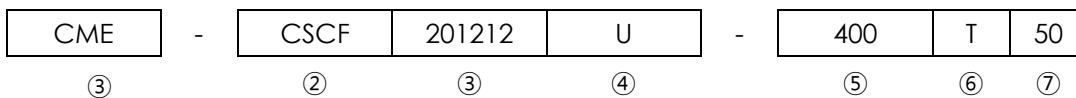


Land Pattern (Unit:mm)



A	B	C	D	E	F	G	H	J
2.0 ±0.2	1.2 ±0.2	1.2 ±0.2	0.55 ±0.1	0.46 ±0.1	0.76	0.91	0.51	0.36

Regulation of part number



- ① CoilMaster's initial
- ② Series Name : Car Signal line Common mode Filter
- ③ Core Size (unit:mm)
- ④ Type
- ⑤ Common mode inductance value (40uH)
- ⑥ Packing type
- ⑦ Rated Current

Specifications

Part Number	Common mode peak Impedance (kΩ)	Impedance (Ω) ±25%	Cutoff Frequency (GHz)	DCR (Ω) Max.	Rated Current (mA) Max.	Insulation Resistance (MΩ) Min.
CME-CSCF201212U-400T50	>0.14 @>3.0 GHz	40	6.6	0.11	500	10

- Impedance test condition : 100 MHz / 500 mV
- Cutoff Frequency at which the differential mode attenuation equals -3 dB
- Withstanding Test Voltage(DC) Max. : 125 V
- Rated Voltage : 50 V
- Operating Temperature Range : -40°c ~ +125°c
- Storage Temperature Range : -40°c ~ +85°c

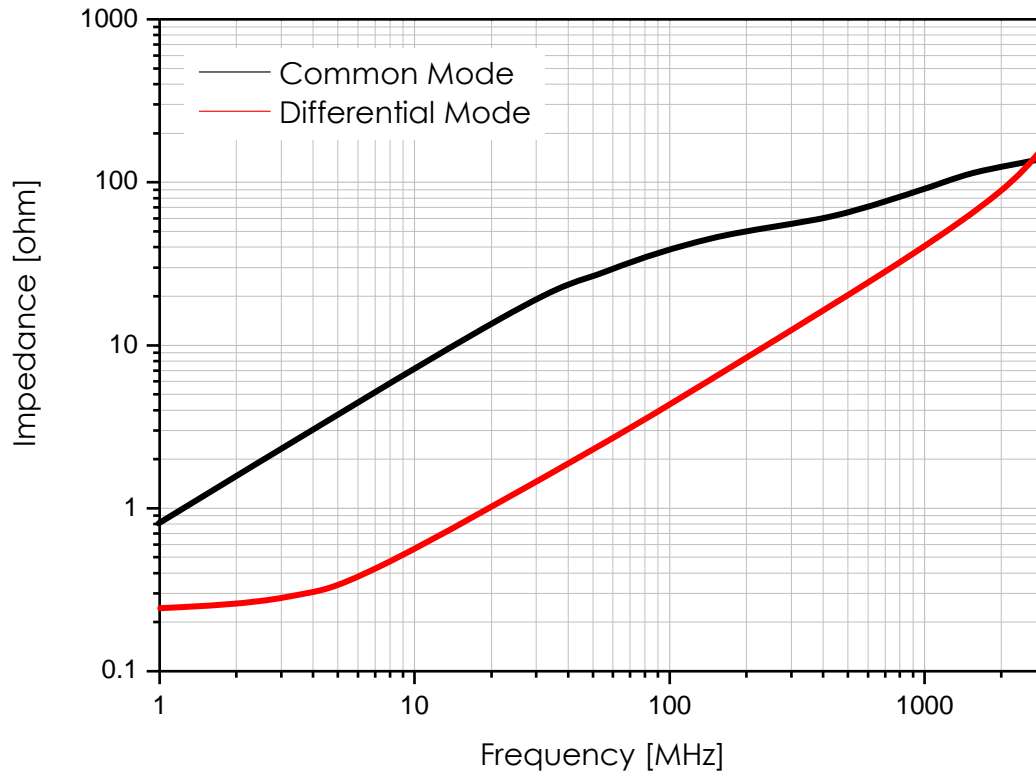
Note 1 : Circuit design, component placement, PCB trace size and thickness, airflow and other cooling. Provision all affect the part Temperature. Part temperature should be verified in the end application.

▪ **You can also contact us by e-mail : coilmaster@coilmaster.com**

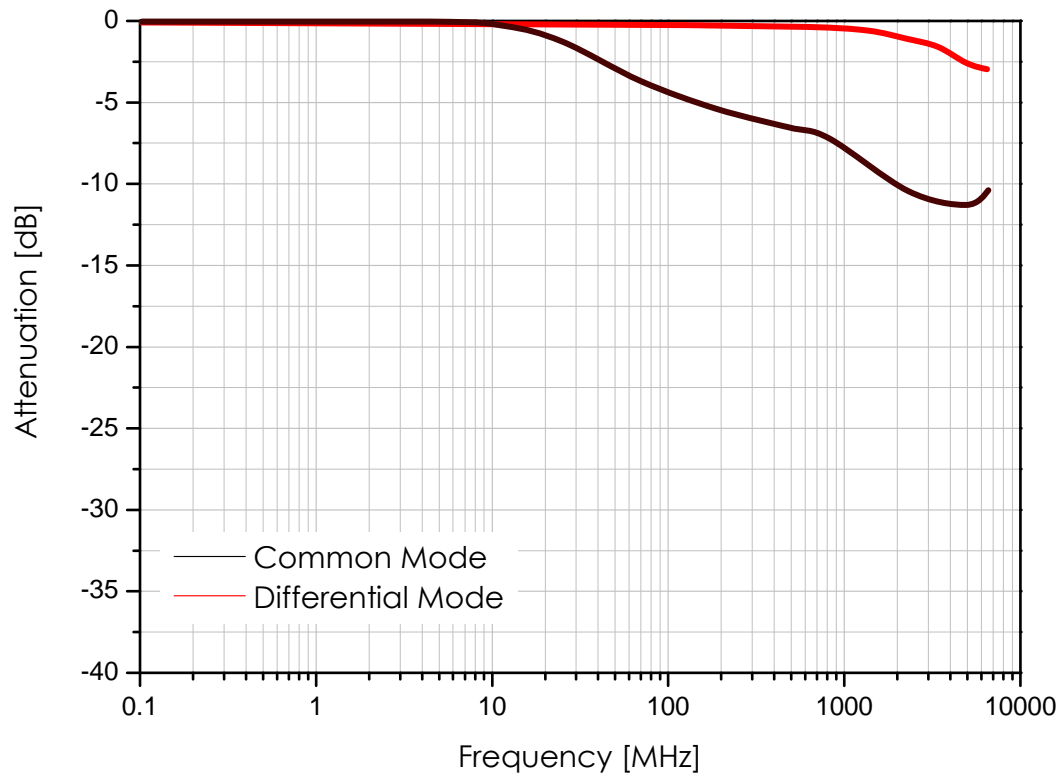
- All specifications are subject to change without notice.
- Update date : 2024.07.23

Electrical characteristics

● Impedance VS. Frequency



● Attenuation VS. Frequency



• You can also contact us by e-mail : coilmaster@coilmaster.com

• All specifications are subject to change without notice.

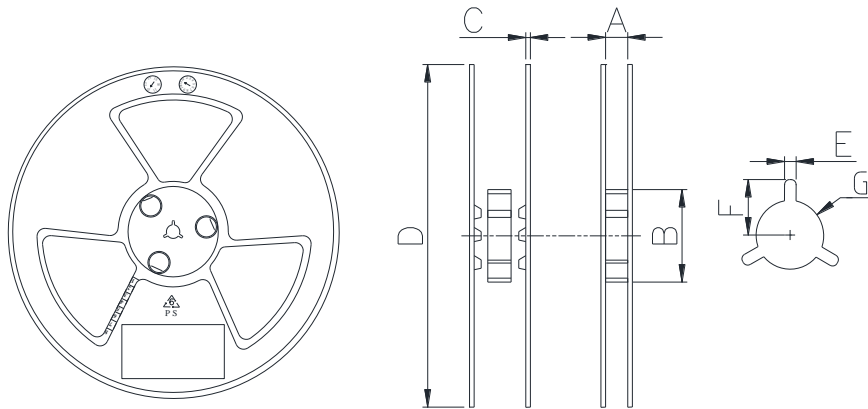
• Update date : 2024.07.23

www.coilmaster.com

Packaging

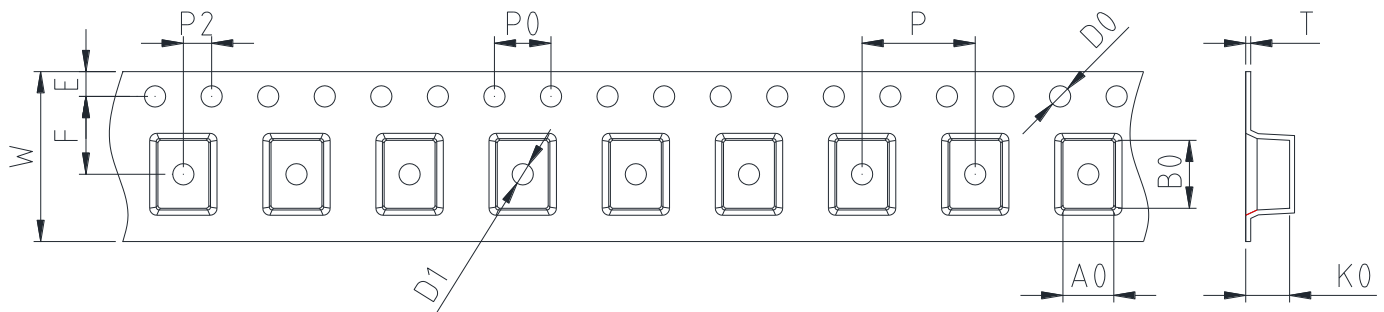
(1) Package quantity : 2,000 (pcs/reel)

(2) Reel Dimensions (unit:mm)



A	B	C	D	E	F	G
10.00	50 Min.	5.00	178.0	2.00	10.50	13.00
+1.50		+1.50	+2.00	+0.50	+0.80	+0.50
-1.50		-1.50	-2.00	-0.50	-0.80	-0.50

(3) Tape Dimensions



W	A0	B0	K0	E	F	P	P0	P2	D0/D1	T
8.00	1.50	2.35	1.67	1.75	3.50	4.00	4.00	2.00	1.55/1.00	0.22
+0.10	+0.10	+0.10	+0.15	+0.10	+0.05	+0.10	+0.10	+0.05	+0.10	+0.05
-0.10	-0.10	-0.10	-0.15	-0.10	-0.15	-0.10	-0.10	-0.05	-0.10	-0.05

Korea Sales Office (KOREA) +82)31-904-1444
 China Sales Office (CHINA) +86)0758-683-1444
 Hungary Sales office (EUROPE) +36)1-404-5832

H.K Sales Office (HONGKONG) +852)2711-5551
 LA Sales Office (USA) +1)714-616-6989

• You can also contact us by e-mail : coilmaster@coilmaster.com

- All specifications are subject to change without notice.
- Update date : 2024.07.23

www.coilmaster.com