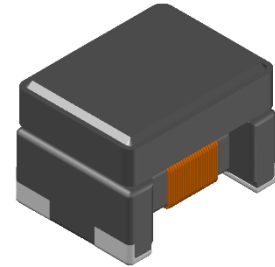


CME-CSCF3225B-A SERIES

Features

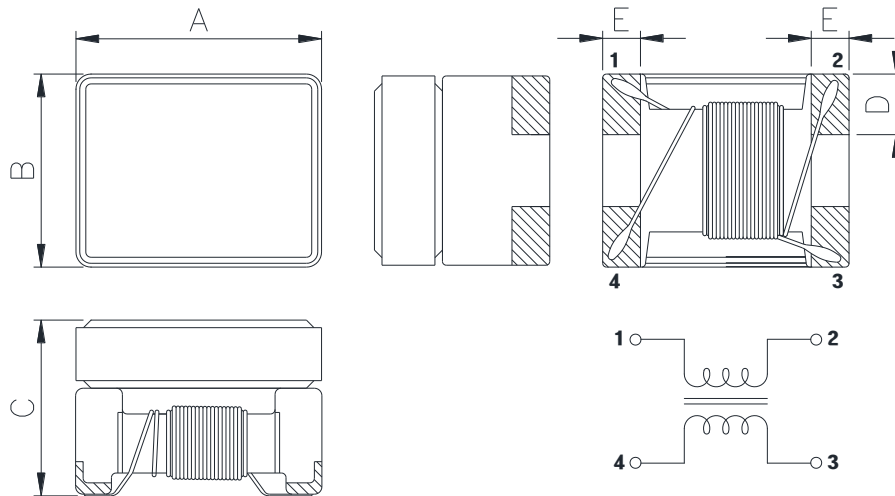
- ▶ High common mode impedance at high frequency effects
Excellent noise suppression performance.
- ▶ Realizes small size and low profile.
- ▶ RoHS compliant.
- ▶ High reliability test meet AEC-Q200.



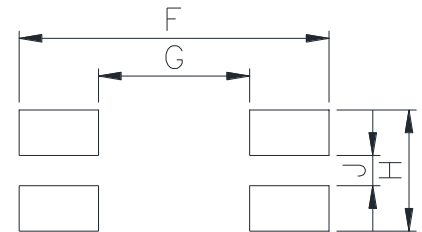
Applications

- ▶ CAN-BUS, FAXs, modems, ISDNs, etc.

Dimension (Unit:mm)

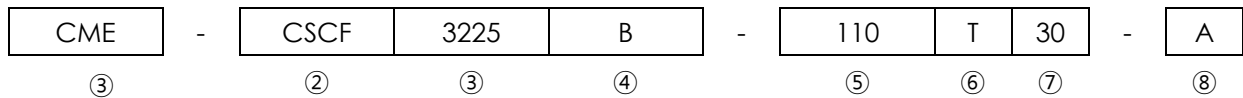


Land Pattern (Unit:mm)



A	B	C	D	E	F	G	H	J
3.2±0.2	2.5±0.2	2.5 Max.	1.0±0.2	0.6±0.2	4.1	2.0	1.6	0.4

Regulation of part number



- ① CoilMaster's initial
- ② Series Name : Car Signal Line Common mode Filter
- ③ Core Size (unit:mm)
- ④ Type
- ⑤ Common mode inductance value (100 uH)
- ⑥ Packing type
- ⑦ Rated Current
- ⑧ Revision

Specifications

Part Number	Common Mode Inductance (μH)	Common Mode Impedance (Ω) Min.(Typ.)	DCR (Ω) Max.	Rated Current (mA) Max.	Insulation Resistance (MΩ) Min.	Rated Voltage (V) Max.
CME-CSCF3225B-110T30-A	11	300(550)	0.4	300	10	80
CME-CSCF3225B-220T25-A	22	500(1100)	0.5	250	10	80
CME-CSCF3225B-510T20-A	51	1000(2600)	0.7	200	10	80
CME-CSCF3225B-101T15-A	100	2200(5100)	1.5	150	10	80

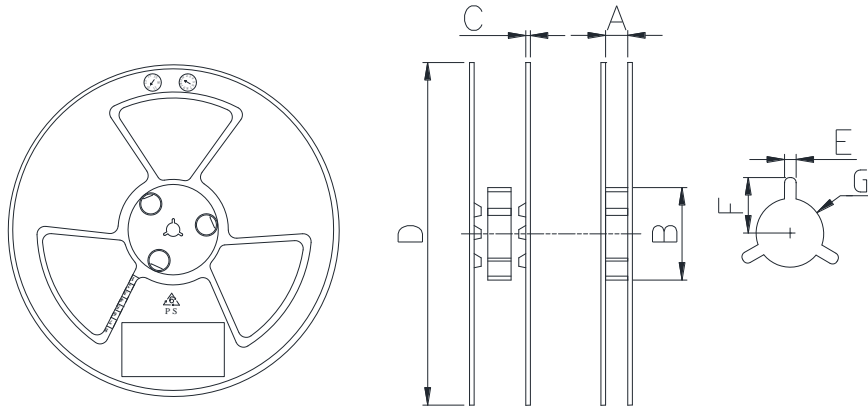
- Inductance test condition : 100 kHz (L tolerance+50/-30%)
- Impedance test condition : 10 MHz
- Operating Temperature Range : -40 °c ~ +150 °c

▪ **You can also contact us by e-mail : coilmaster@coilmaster.com**
 ▪ All specifications are subject to change without notice.
 ▪ Update date : 2024.01.29

Packaging

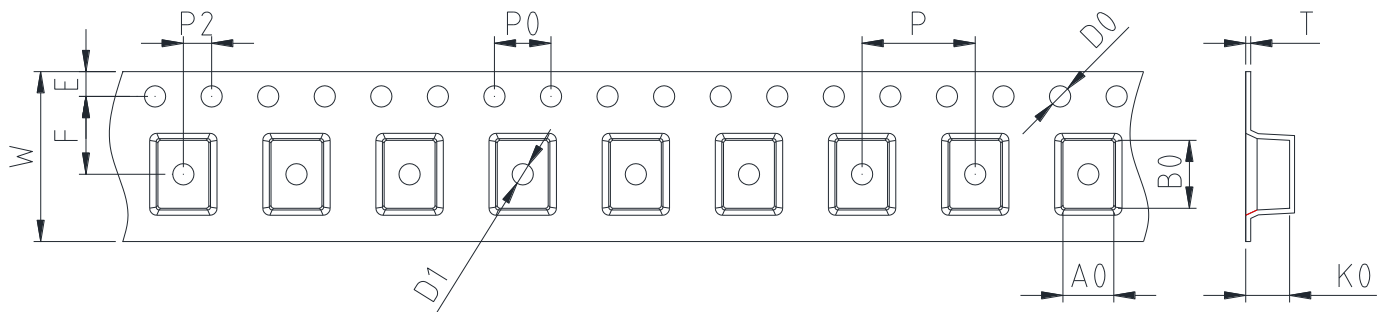
(1) Package quantity : 2,500 (pcs/reel)

(2) Reel Dimensions (unit:mm)



A	B	C	D	E	F
8.50	60.0	1.50	178.0	2.70	11.25
+0.50	+2.00	+0.20	+1.00	+0.30	+0.50
-0.50	-2.00	-0.20	-1.00	-0.30	-0.50

(3) Tape Dimensions



W	A0	B0	K0	E	F	P	P0	P2	D0/D1	T
8.00	2.88	3.72	2.50	1.75	3.50	4.00	4.00	2.00	1.10	0.22
+0.10	+0.10	+0.10	+0.10	+0.10	+0.05	+0.10	+0.10	+0.05	+0.10	+0.05
-0.10	-0.10	-0.10	-0.10	-0.10	-0.05	-0.10	-0.10	-0.05	-0.10	-0.05

Korea Sales Office (KOREA) +82)31-904-1444
 China Sales Office (CHINA) +86)0758-683-1444
 Hungary Sales office (EUROPE) +36)1-404-5832

H.K Sales Office (HONGKONG) +852)2711-5551
 LA Sales Office (USA) +1)714-616-6989

• You can also contact us by e-mail : coilmaster@coilmaster.com

- All specifications are subject to change without notice.
- Update date : 2024.01.29

www.coilmaster.com