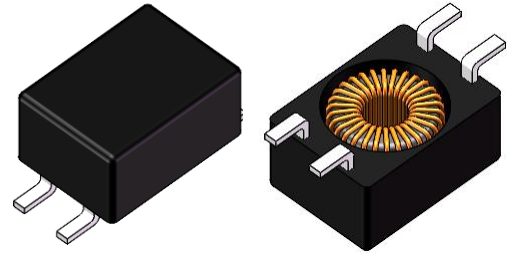


CME-CTCF9040-SERIES

Features

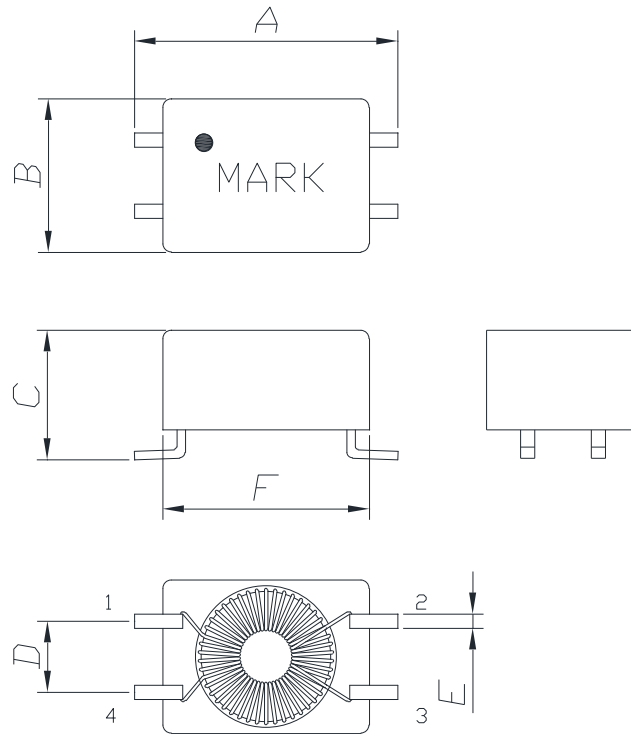
- ▶ High reliability conforms to automotive applications.
- ▶ AEC-Q200 qualified.
- ▶ RoHS compliant.
- ▶ High isolation capability.



Applications

- ▶ Automotive applications, e.g. CAN bus.
- ▶ Industrial applications.

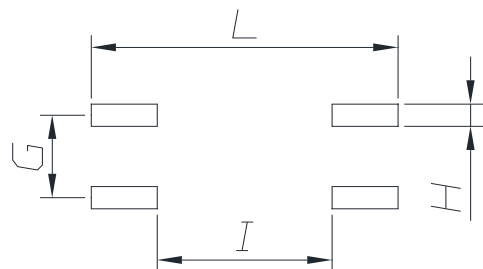
Dimension (Unit: mm)



A	B	C	D	E	F
9.0 +0.4 -0.2	6.0 Max.	4.8 Max.	2.5 ±0.1	0.6 +0.1 -0.05	7.5 Max.

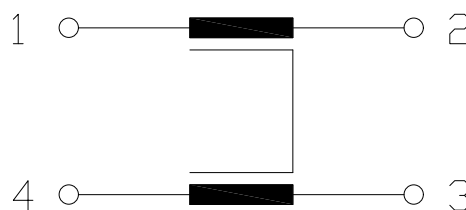
- You can also contact us by e-mail: coilmaster@coilmaster.com
- All specifications are subject to change without notice.
- Update date: 2023.11.11

Land Pattern (Unit: mm)

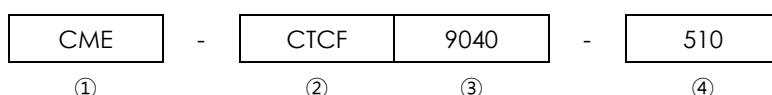


L	I	H	G
10.2	4.5	1.2	2.5

Schematic Diagram



Regulation of part number



- ① CoilMaster's initial
- ② Series Name : Car Troidal core type Common mode Filter
- ③ Size (unit:mm)
- ④ Common mode Inductance Value (51uH)

Specifications

Part Number	Common Mode		DCR (mΩ) Typ.	Rated Current (A)	Leakage Inductance (uH) Typ.	Test Frequency (Hz)
	Inductance (uH) ±30%	Impedance (Ω) Min. at 10MHz				
CME-CTCF9040-510	51	800	140	0.8	0.20	100k
CME-CTCF9040-471	470	1200	170	0.7	0.28	100k

- Rated current: When based on the inductance change rate (approximately 10% below in the initial value)
- Temperature Range(including self temperature) : -45°C ~ +125 °C

Korea Sales Office (KOREA)	+82)31-904-1444	H.K Sales Office (HONGKONG)	+852)2711-5551
China Sales Office (CHINA)	+86)0758-683-1444	LA Sales Office (USA)	+1)714-616-6989
Hungary Sales office (EUROPE)	+36)1-404-5832		

▪ You can also contact us by e-mail: coilmaster@coilmaster.com

- All specifications are subject to change without notice.
- Update date: 2023.11.11

www.coilmaster.com