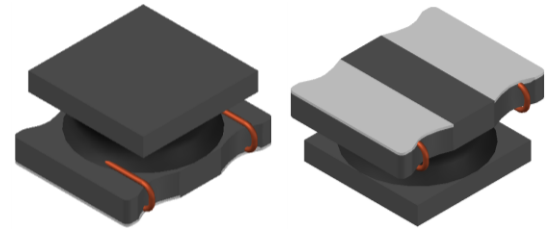


CMI-CDSS322515NH-SERIES

Features

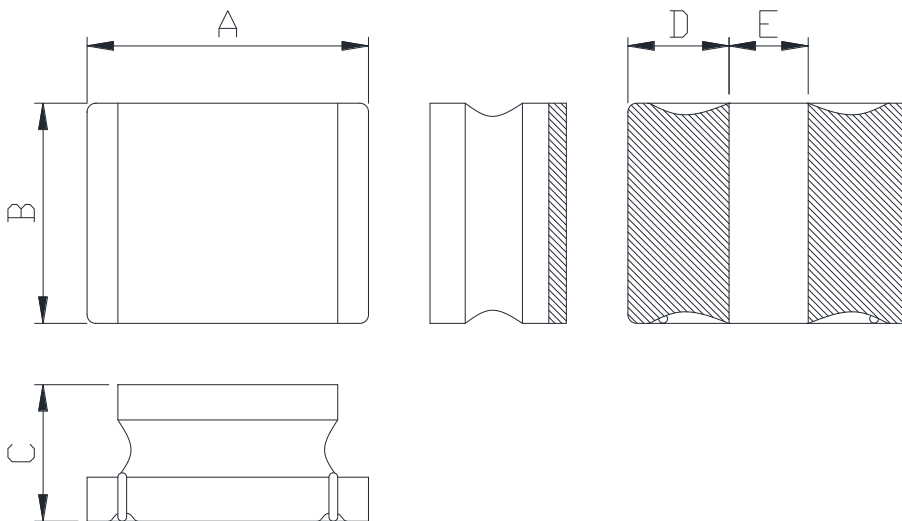
- ▶ High current and low profile.
- ▶ Available tape and reel for auto insertion
- ▶ Simple and Shield structure.
- ▶ RoHS compliant
- ▶ Halogen-Free
- ▶ AEC-Q200 qualified



Applications

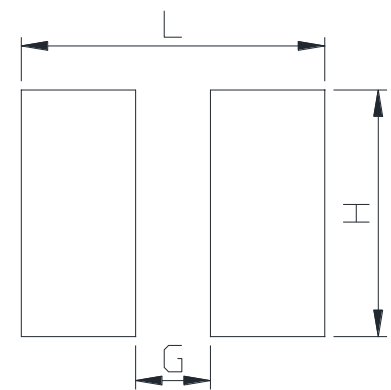
- ▶ Equipment using for automobiles
(ECM, Airbags, Headlights, Electronic Powder Steering, Motors, ABS, other)

Dimension (Unit:mm)



A	B	C	D	E
3.2 ±0.2	2.5 ±0.2	1.55 ±0.2	1.15 ±0.3	0.9 ±0.3

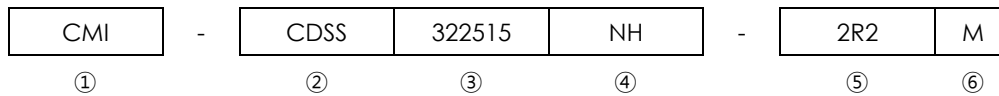
Land Pattern (Unit:mm)



L	G	H
3.45	0.85	2.80

- You can also contact us by e-mail : coilmaster@coilmaster.com
- All specifications are subject to change without notice.
- Update date : 2025.01.08

Regulation of part number



- ① CoilMaster's initial
- ② Series Name : Car Drum Core Square shape Silver paste type Power inductor
- ③ Core Size (unit:mm)
- ④ Material
- ⑤ Typical inductance value (2.2 uH)
- ⑥ Inductance tolerance (±20%)

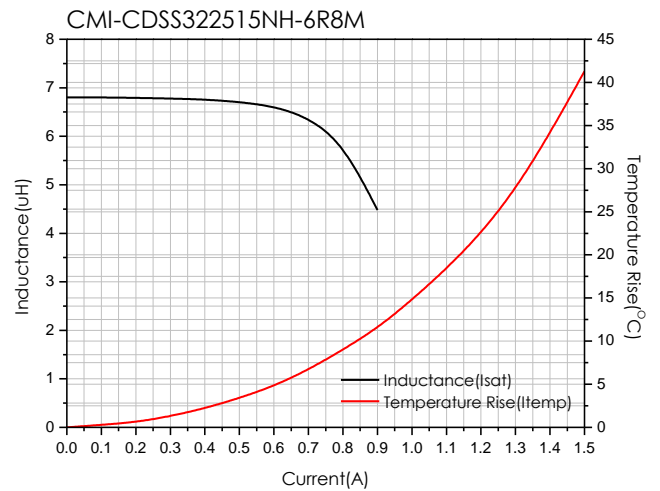
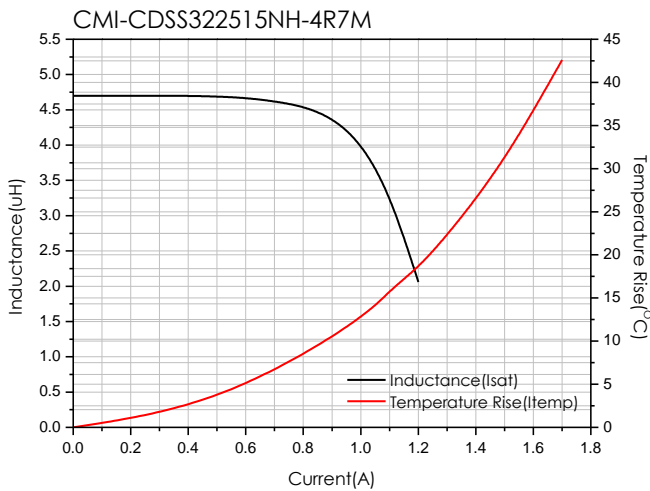
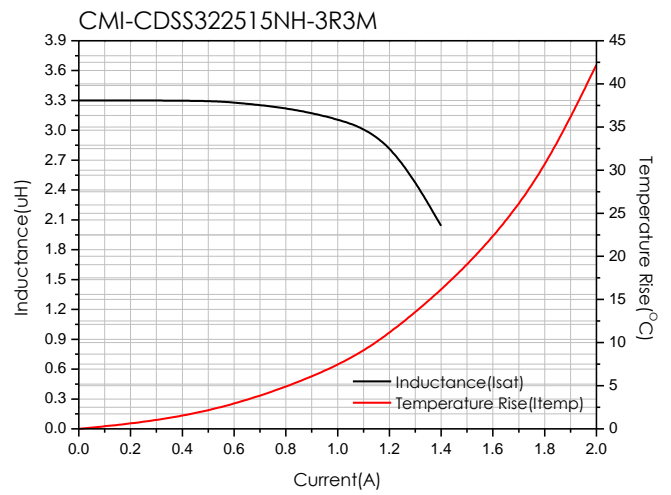
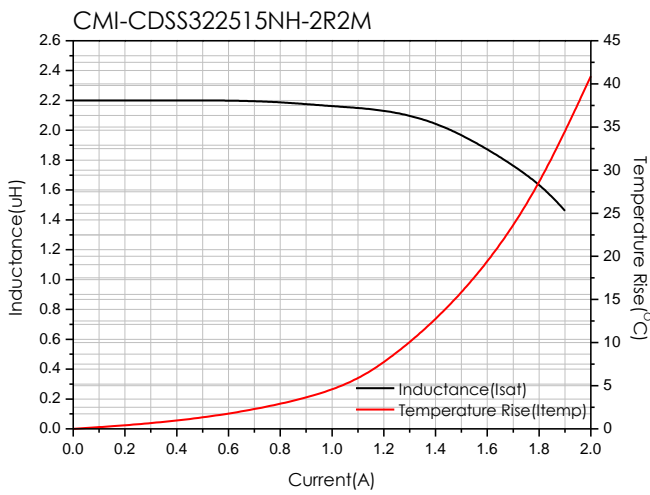
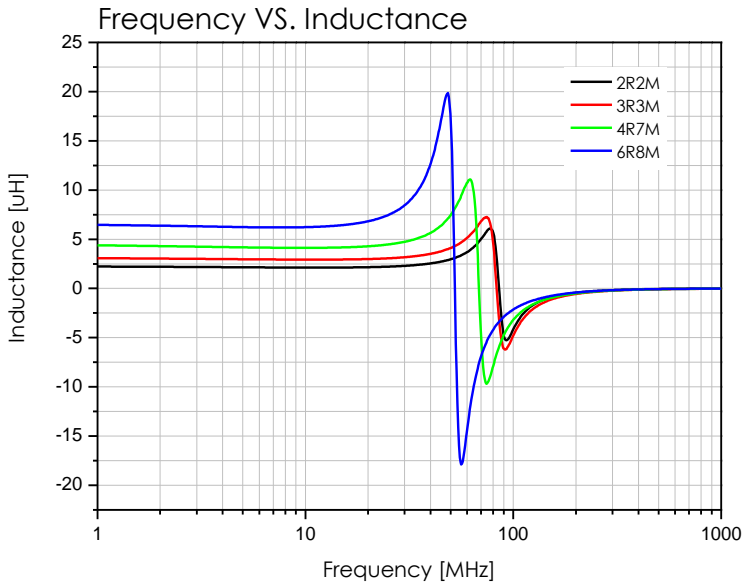
Specifications

Part Number	Inductance (uH)	Tolerance (±)	DCR(mΩ) Max.	Isat(A) Max.	Itemp(A) Max.	Test Frequency (Hz)
CMI-CDSS322515NH-2R2M	2.2	20%	120	1.55	1.70	1M
CMI-CDSS322515NH-3R3M	3.3	20%	150	1.25	1.50	1M
CMI-CDSS322515NH-4R7M	4.7	20%	195	1.10	1.30	1M
CMI-CDSS322515NH-6R8M	6.8	20%	240	0.85	1.10	1M

- Isat: When based on the inductance change rate (Approximately 30% below in the initial value)
- Itemp: When based on the temperature increase (Temperature increase of approximately 40°C by self heating)
- Operating Temperature Range (including self temperature) : -40°C ~ +125 °c

▪ **You can also contact us by e-mail : coilmaster@coilmaster.com**
 ▪ All specifications are subject to change without notice.
 ▪ Update date : 2025.01.08

Electrical characteristics

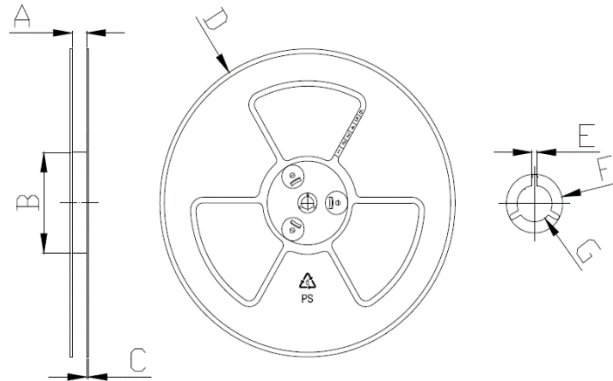


- You can also contact us by e-mail : coilmaster@coilmaster.com
- All specifications are subject to change without notice.
- Update date : 2025.01.08

Packaging

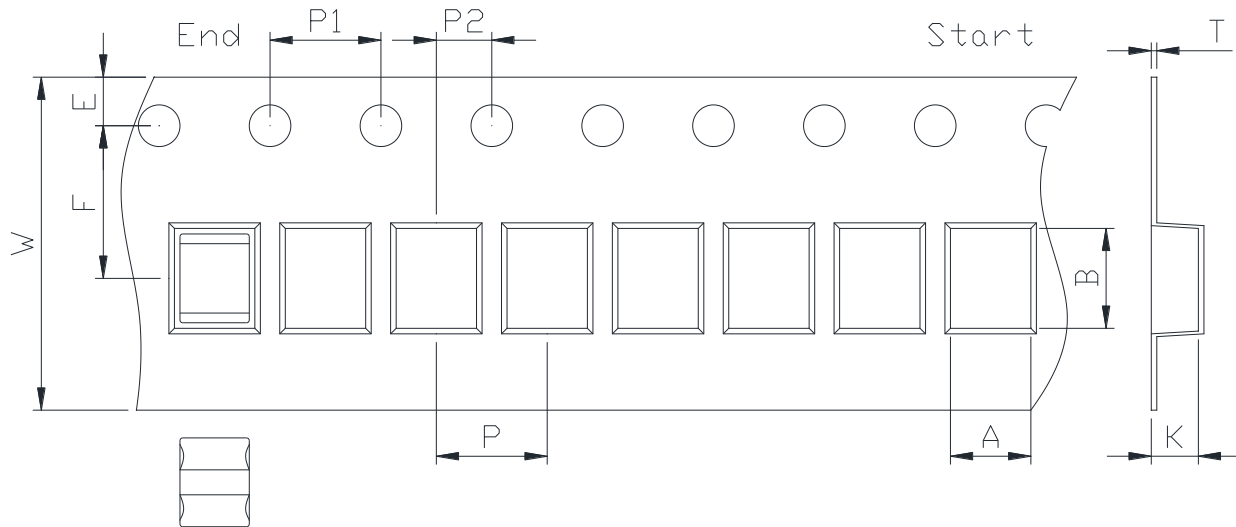
(1) Package quantity : 2,000 (pcs/reel)

(2) Reel Dimensions (unit:mm)



A	B	C	D	E	F	G
12.50	50.0	0.90	178.0	2.70	21.00	13.00
+0.10	+0.50	+0.10	+1.00	+0.30	+0.80	+0.40
-0.10	-0.50	-0.10	-1.00	-0.30	-0.80	-0.40

(3) Tape Dimensions



W	A	B	K	E	F	P	P1	P2	D	T
12.00	2.90	3.60	1.70	1.75	5.50	4.00	4.00	2.00	1.50	0.20
+0.30	+0.20	+0.20	+0.20	+0.10	+0.10	+0.10	+0.20	+0.10	+0.10	+0.10
-0.30	-0.20	-0.20	-0.20	-0.10	-0.10	-0.10	-0.20	-0.10	-0.10	-0.10

Korea Sales Office (KOREA) +82)31-904-1444
 China Sales Office (CHINA) +86)0758-683-1444
 Hungary Sales office (EUROPE) +36)1-404-5832

H.K Sales Office (HONGKONG) +852)2711-5551
 LA Sales Office (USA) +1)714-616-6989

• You can also contact us by e-mail : coilmaster@coilmaster.com

- All specifications are subject to change without notice.
- Update date : 2025.01.08

www.coilmaster.com