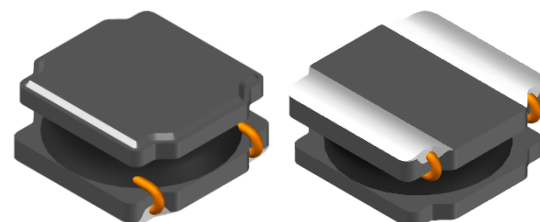


# CMI-CDSS4020NH-SERIES

## Features

- ▶ Small and low profile.
- ▶ Available tape and reel for auto insertion
- ▶ Simple and Shield structure.
- ▶ RoHS compliant
- ▶ Halogen-Free
- ▶ AEC-Q200 qualified

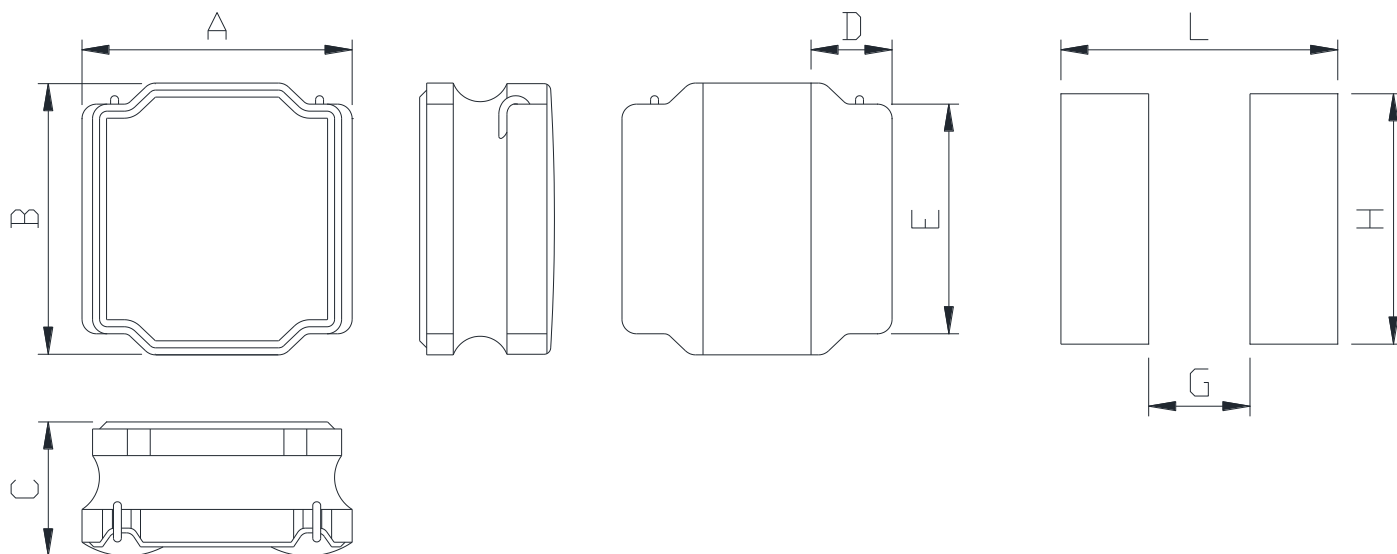


## Applications

- ▶ Car navigation, car stereo and car accessories only  
(Not available for use related to driving, curving, stopping, and the other safety.)

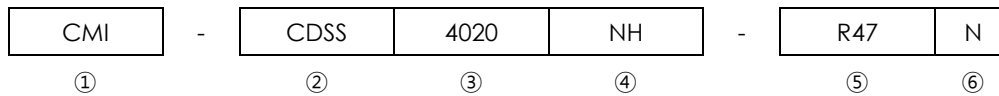
## Dimension (Unit:mm)

## Land Pattern (Unit:mm)



A	B	C	D	E	G	H	L
4.0 ±0.2	4.0 ±0.2	2.0 Max.	1.2 ±0.2	3.4 ±0.2	1.5	3.7	4.1

## Regulation of part number



- ① CoilMaster's initial
- ② Series Name : Car Drum Core Square shape Silver paste type Power inductor
- ③ Core Size (unit:mm)
- ④ Material
- ⑤ Typical inductance value (0.47 uH)
- ⑥ Inductance tolerance ( $\pm 30\%$ )

## Specifications

Part Number	Inductance (uH)	Tolerance ( $\pm$ )	DCR(m $\Omega$ ) $\pm 30\%$	Isat(A) Max.	Itemp(A) Max.	SRF(Min) (MHz)
CMI-CDSS4020NH-R47N	0.47	30%	18	7.50	3.30	140
CMI-CDSS4020NH-1R0N	1.0	30%	29	4.78	2.15	75
CMI-CDSS4020NH-1R5N	1.5	30%	35	4.45	1.98	71
CMI-CDSS4020NH-2R2N	2.2	30%	40	3.40	1.85	49
CMI-CDSS4020NH-3R3M	3.3	20%	70	3.20	1.40	44
CMI-CDSS4020NH-4R7M	4.7	20%	75	2.35	1.34	42
CMI-CDSS4020NH-6R8M	6.8	20%	125	2.00	1.04	33
CMI-CDSS4020NH-8R2M	8.2	20%	150	1.75	1.00	29
CMI-CDSS4020NH-100M	10	20%	165	1.60	0.90	26
CMI-CDSS4020NH-150M	15	20%	230	1.35	0.77	24
CMI-CDSS4020NH-220M	22	20%	350	1.05	0.62	15
CMI-CDSS4020NH-330M	33	20%	550	0.85	0.49	11
CMI-CDSS4020NH-470M	47	20%	710	0.74	0.44	10
CMI-CDSS4020NH-680M	68	20%	1060	0.61	0.36	7.7
CMI-CDSS4020NH-820M	82	20%	1170	0.50	0.34	7.2
CMI-CDSS4020NH-101M	100	20%	1550	0.48	0.31	6.3

- Inductance Tested at 100kHz, 1Vrms (20°C)
- Isat: When based on the inductance change rate (Approximately 30% below in the initial value)
- Itemp: When based on the temperature increase (Temperature increase of approximately 40°C by self heating)
- Operating Temperature Range (including self temperature) : -40°C ~ +125 °c

Note 1 : Circuit design, component placement, PCB trace size and thickness, airflow and other cooling. Provision all affect the part Temperature. Part temperature should be verified in the end application.

▪ **You can also contact us by e-mail : [coilmaster@coilmaster.com](mailto:coilmaster@coilmaster.com)**

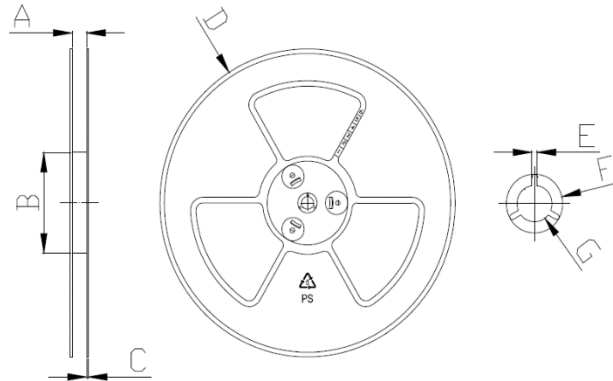
- All specifications are subject to change without notice.
- Update date : 2024.10.16

[www.coilmaster.com](http://www.coilmaster.com)

## Packaging

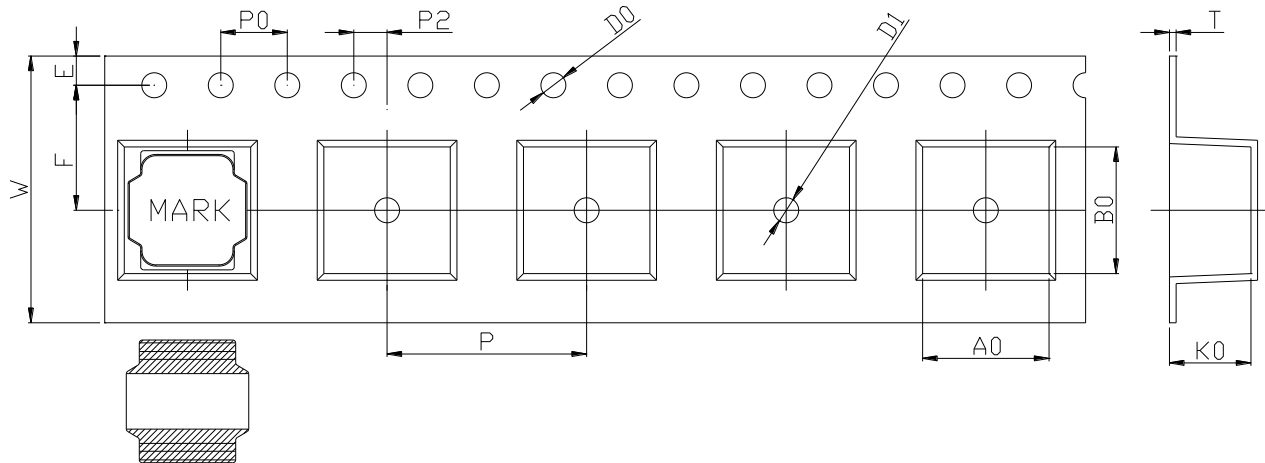
(1) Package quantity : 3,000 (pcs/reel)

(2) Reel Dimensions (unit:mm)



A	B	C	D	E	F	G
12.50	100.0	2.00	330.0	2.30	21.50	13.00
+0.50	+1.00	+0.10	+1.00	+0.30	+0.30	+0.50
-0.50	-1.00	-0.10	-1.00	-0.30	-0.30	-0.50

(3) Tape Dimensions



W	A0	B0	K0	E	F	P	P0	P2	D0/D1	T
12.00	4.30	4.30	2.40	1.75	5.50	8.00	4.00	2.00	1.50	0.30
+0.30	+0.10	+0.10	+0.10	+0.10	+0.10	+0.10	+0.10	+0.10	+0.10	+0.05
-0.10	-0.10	-0.10	-0.10	-0.10	-0.10	-0.10	-0.10	-0.10	-0.00	-0.05

Korea Sales Office (KOREA) +82)31-904-1444  
 China Sales Office (CHINA) +86)0758-683-1444  
 Hungary Sales office (EUROPE) +36)1-404-5832

H.K Sales Office (HONGKONG) +852)2711-5551  
 LA Sales Office (USA) +1)714-616-6989

• You can also contact us by e-mail : [coilmaster@coilmaster.com](mailto:coilmaster@coilmaster.com)

- All specifications are subject to change without notice.
- Update date : 2024.10.16

[www.coilmaster.com](http://www.coilmaster.com)