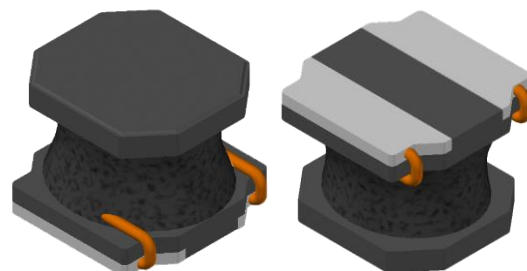


CMI-CDSS5040NH-SERIES

Features

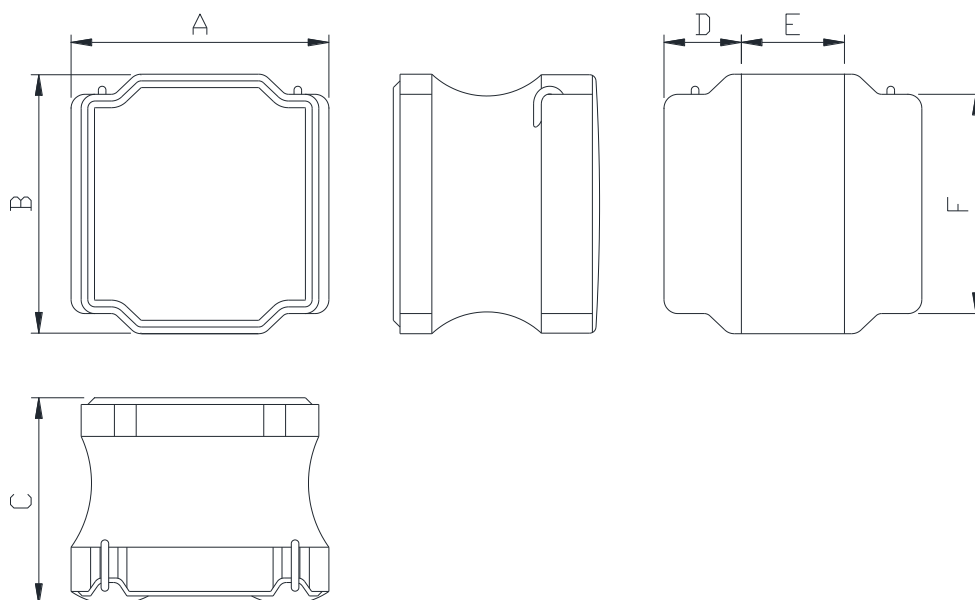
- ▶ It corresponds to High current.
- ▶ Simple and Shield structure.
- ▶ Takes up less PCB real estate and save more power.
- ▶ Available tape and reel for auto insertion.
- ▶ RoHs compliant.
- ▶ Halogen-Free.



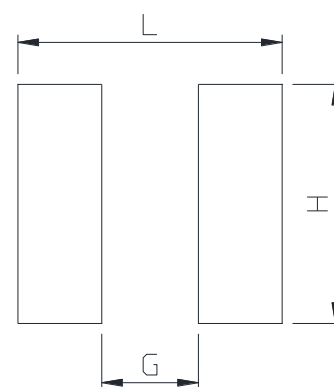
Applications

- ▶ Equipment using for automobiles
(ECM, Airbags, Headlights, Electronic Powder Steering, Motors, ABS, other)

Dimension (Unit:mm)



Land Pattern (Unit:mm)

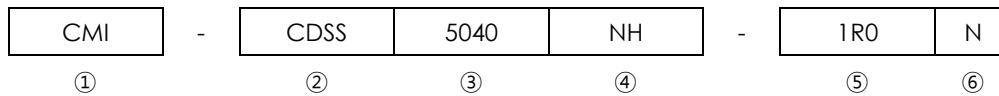


| A | B | C | D | E | F | G | H | L |
|----------|----------|----------|----------|----------|----------|-----|-----|-----|
| 5.0 ±0.2 | 5.0 ±0.2 | 4.0 Max. | 1.5 ±0.2 | 2.0 ±0.2 | 4.6 ±0.2 | 2.3 | 4.2 | 5.1 |

• You can also contact us by e-mail : coilmaster@coilmaster.com

- All specifications are subject to change without notice
- Update date : 2024.06.25

Regulation of part number



- ① CoilMaster's initial
- ② Series Name : Car Drum core Square shape Silver paste type Power Inductor
- ③ Core Size (unit:mm)
- ④ Type
- ⑤ Typical inductance value (1.0uH)
- ⑥ Inductance tolerance (±30%)

Specifications

| Part Number | Inductance (μH) | Tolerance (±) | DCR(mΩ) ±30% | Isat(A) Max. | Itemp(A) Max. | Test Frequency (Hz) |
|---------------------|-----------------|---------------|--------------|--------------|---------------|---------------------|
| CMI-CDSS5040NH-1R0N | 1.0 | 30% | 12 | 7.35 | 4.90 | 100k |
| CMI-CDSS5040NH-1R2N | 1.2 | 30% | 15 | 6.50 | 4.30 | 100k |
| CMI-CDSS5040NH-1R5N | 1.5 | 30% | 16 | 6.30 | 4.15 | 100k |
| CMI-CDSS5040NH-2R2N | 2.2 | 30% | 19 | 4.90 | 3.80 | 100k |
| CMI-CDSS5040NH-3R3N | 3.3 | 30% | 24 | 3.95 | 3.40 | 100k |
| CMI-CDSS5040NH-4R7M | 4.7 | 20% | 30 | 3.50 | 3.00 | 100k |
| CMI-CDSS5040NH-5R6M | 5.6 | 20% | 35 | 3.00 | 2.80 | 100k |
| CMI-CDSS5040NH-6R8M | 6.8 | 20% | 43 | 2.90 | 2.50 | 100k |
| CMI-CDSS5040NH-100M | 10 | 20% | 64 | 2.35 | 2.10 | 100k |
| CMI-CDSS5040NH-150M | 15 | 20% | 86 | 2.00 | 2.00 | 100k |
| CMI-CDSS5040NH-220M | 22 | 20% | 129 | 1.60 | 1.50 | 100k |
| CMI-CDSS5040NH-330M | 33 | 20% | 188 | 1.30 | 1.20 | 100k |
| CMI-CDSS5040NH-470M | 47 | 20% | 272 | 1.10 | 1.00 | 100k |
| CMI-CDSS5040NH-680M | 68 | 20% | 400 | 0.90 | 0.80 | 100k |
| CMI-CDSS5040NH-101M | 100 | 20% | 560 | 0.75 | 0.70 | 100k |
| CMI-CDSS5040NH-151M | 150 | 20% | 750 | 0.65 | 0.60 | 100k |
| CMI-CDSS5040NH-221M | 220 | 20% | 1280 | 0.40 | 0.38 | 100k |
| CMI-CDSS5040NH-102M | 1000 | 20% | 6200 | 0.25 | 0.25 | 100k |
| CMI-CDSS5040NH-222M | 2200 | 20% | 13000 | 0.10 | 0.10 | 100k |

- Isat: When based on the inductance change rate (Approximately 30% below in the initial value)
- Itemp: When based on the temperature increase (Temperature increase of approximately 40°C by self heating)
- Operating Temperature Range (including self temperature) : -40°C ~ +125 °c

Note 1 : Circuit design, component placement, PCB trace size and thickness, airflow and other cooling. Provision all affect the part Temperature. Part temperature should be verified in the end application

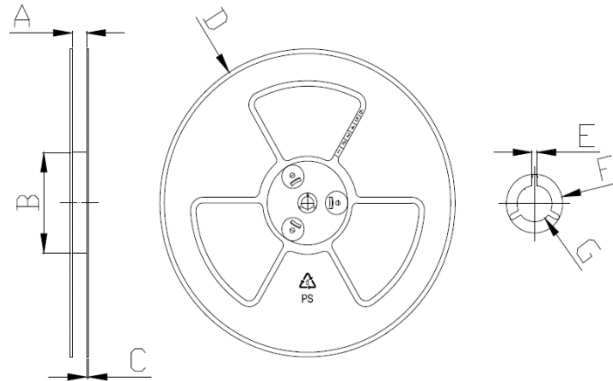
▪ **You can also contact us by e-mail : coilmaster@coilmaster.com**

- All specifications are subject to change without notice
- Update date : 2024.06.25

Packaging

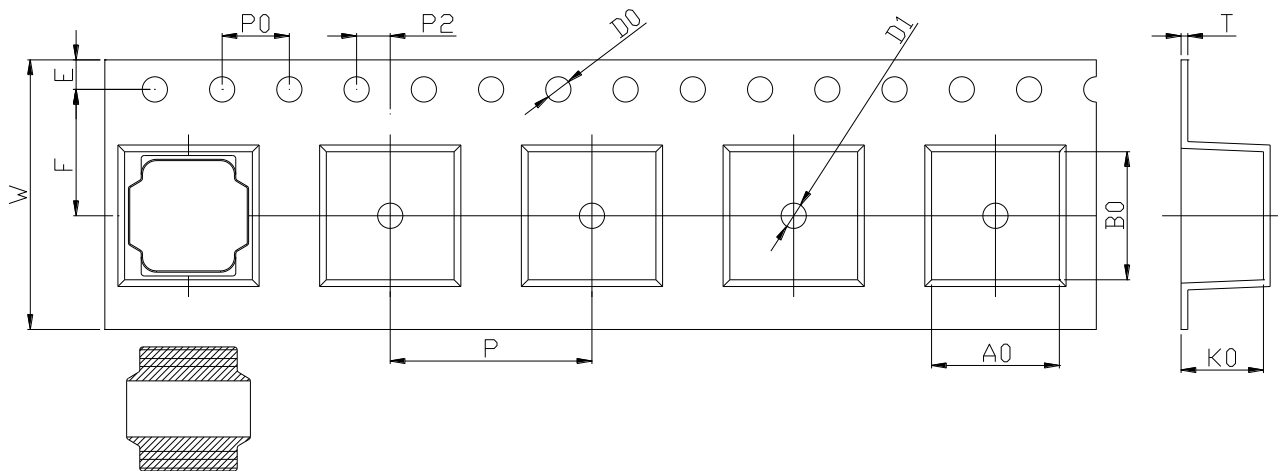
(1) Package quantity : 1,500 (pcs/reel)

(2) Reel Dimensions (unit:mm)



| A | B | C | D | E | F | G |
|-------|-------|-------|-------|-------|-------|-------|
| 12.50 | 100.0 | 2.00 | 330.0 | 2.30 | 21.50 | 13.00 |
| +0.50 | +1.00 | +0.10 | +1.00 | +0.30 | +0.30 | +0.50 |
| -0.50 | -1.00 | -0.10 | -1.00 | -0.30 | -0.30 | -0.50 |

(3) Tape Dimensions



| W | A0 | B0 | K0 | E | F | P | P0 | P2 | D0/D1 | T |
|-------|-------|-------|-------|-------|-------|-------|-------|-------|-------|-------|
| 12.00 | 5.40 | 5.40 | 4.40 | 1.75 | 5.50 | 8.00 | 4.00 | 2.00 | 1.50 | 0.30 |
| +0.30 | +0.10 | +0.10 | +0.10 | +0.10 | +0.10 | +0.10 | +0.10 | +0.10 | +0.10 | +0.05 |
| -0.30 | -0.10 | -0.10 | -0.10 | -0.10 | -0.10 | -0.10 | -0.10 | -0.10 | -0.00 | -0.05 |

Korea Sales Office (KOREA) +82)31-904-1444
 China Sales Office (CHINA) +86)0758-683-1444
 Hungary Sales office (EUROPE) +36)1-404-5832

H.K Sales Office (HONGKONG) +852)2711-5551
 LA Sales Office (USA) +1)714-616-6989

• You can also contact us by e-mail : coilmaster@coilmaster.com

- All specifications are subject to change without notice
- Update date : 2024.06.25

www.coilmaster.com