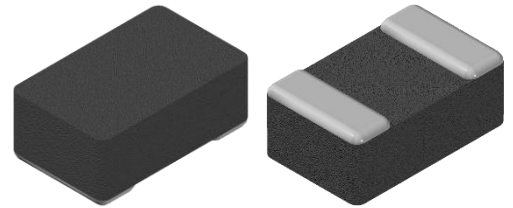


CMI-CMMPF201208BC-SERIES

Features

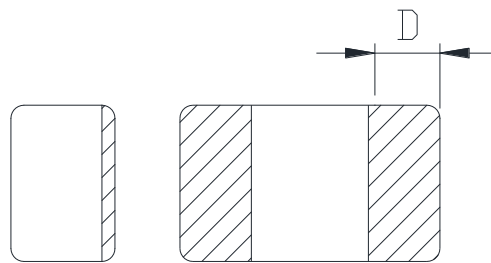
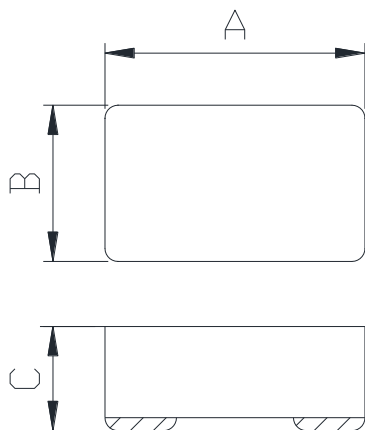
- ▶ Small size, high current and low profile
- ▶ Compact design.
- ▶ Lower DCR with applying flat wire
- ▶ Metal powder molding type for EMC protection.
- ▶ Available tape and reel for auto insertion.
- ▶ Halogen-Free.
- ▶ RoHS compliant.
- ▶ AEC-Q200 qualified.



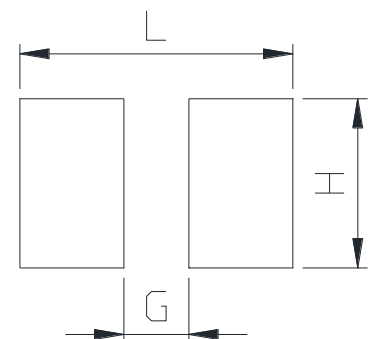
Applications

- ▶ Car navigation, Car Audio, ADAS ECU, In-C-Vehicle camera (View camera, Sensing camera), Automotive communication module.

Dimension (Unit:mm)



Land Pattern (Unit:mm)

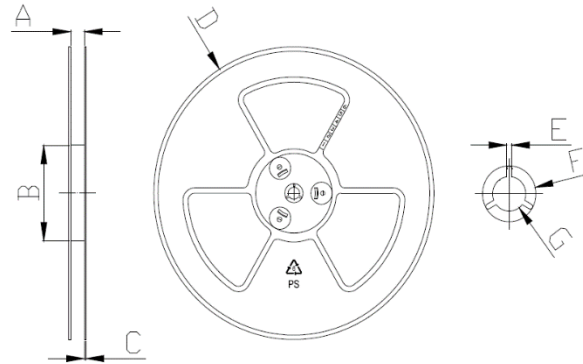


A	B	C	D	L	G	H
2.0 ±0.2	1.2 ±0.2	0.8 Max.	0.5 ±0.3	2.4	0.8	1.3

Packaging

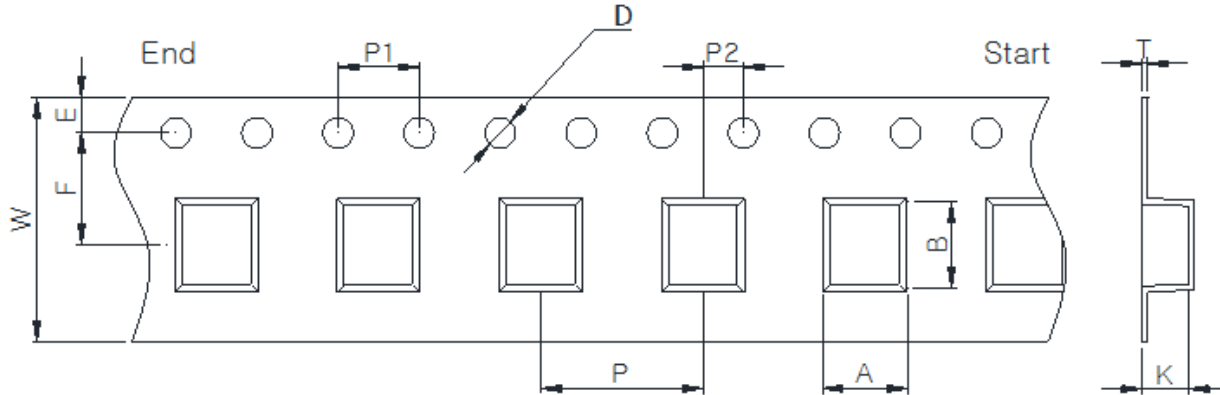
(1) Package quantity : 3,000 (pcs/reel)

(2) Reel Dimensions (unit:mm)



A	B	C	D	E	F	G
8.50	60.0	1.50	178.0	2.70	22.50	13.50
+0.50	+2.00	+0.20	+1.00	+0.30	+0.50	+0.50
-0.50	-2.00	-0.20	-1.00	-0.30	-0.50	-0.50

(3) Tape Dimensions



W	A	B	K	E	F	P	P1	P2	D	T
8.00	1.50	2.24	0.95	1.75	3.50	4.00	4.00	2.00	1.50	0.22
+0.10	+0.10	+0.10	+0.10	+0.15	+0.10	+0.10	+0.10	+0.05	+0.10	+0.05
-0.10	-0.10	-0.10	-0.10	-0.10	-0.10	-0.10	-0.10	-0.05	-0.00	-0.05

Korea Sales Office (KOREA) +82)31-904-1444
 China Sales Office (CHINA) +86)0758-683-1444
 Hungary Sales office (EUROPE) +36)1-404-5832

H.K Sales Office (HONGKONG) +852)2711-5551
 LA Sales Office (USA) +1)714-616-6989

• You can also contact us by e-mail : coilmaster@coilmaster.com

- All specifications are subject to change without notice.
- Update date : 2024.04.09

www.coilmaster.com