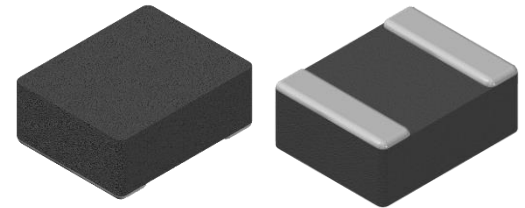


CMI-CMMPF252010BC-SERIES

Features

- ▶ Small size, high current and low profile
- ▶ Lower DCR with applying flat wire
- ▶ Metal powder molding type for EMC protection.
- ▶ Available tape and reel for auto insertion.
- ▶ Halogen-Free / RoHS compliant.
- ▶ AEC-Q200 qualified.

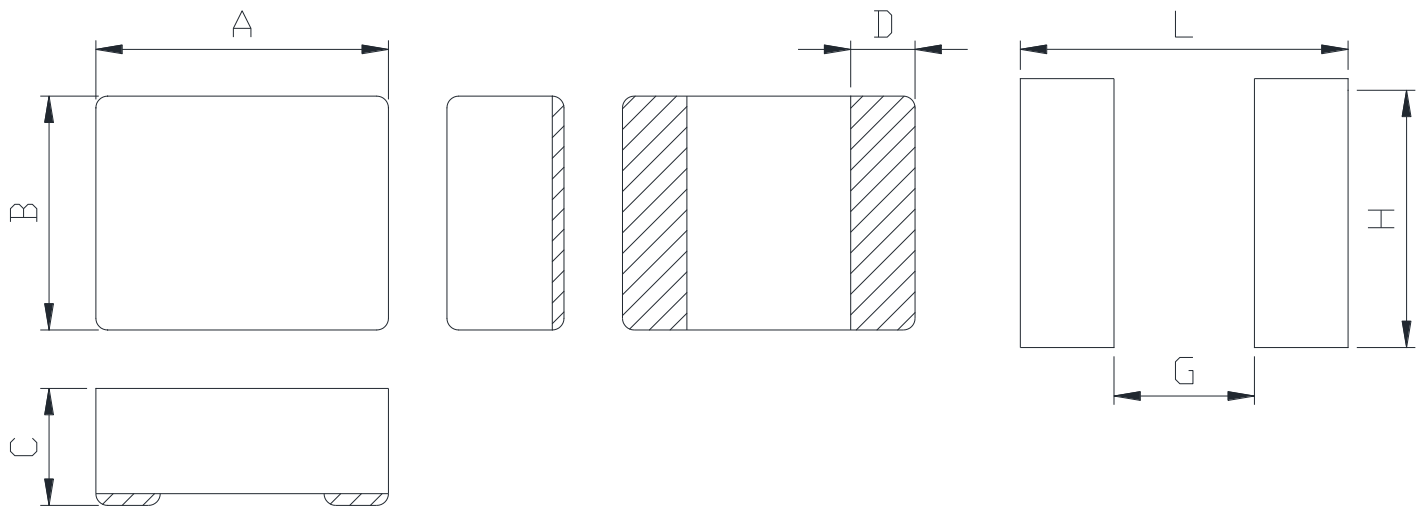


Applications

- ▶ Car navigation, Car Audio, ADAS ECU,
In-C-Vehicle camera (View camera, Sensing camera), Automotive communication module.

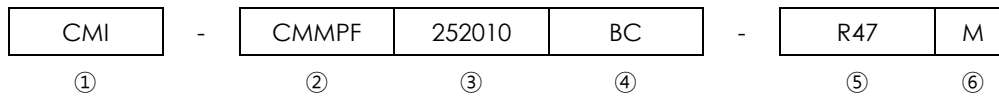
Dimension (Unit:mm)

Land Pattern (Unit:mm)



A	B	C	D	L	G	H
2.5 ± 0.2	2.0 ± 0.2	1.0 Max.	0.55 ± 0.25	2.8	1.2	2.3

Regulation of part number



- ① CoilMaster's initial
- ② Series Name : Car Metal Molded Flat wire Power inductor
- ③ Core Size (unit:mm)
- ④ Type
- ⑤ Typical inductance value (0.47uH)
- ⑥ Inductance tolerance ($\pm 20\%$)

Specifications

Part Number	Inductance (uH) $\pm 20\%$	DCR(mohm) Max.(Typ.)	Isat(A) Max.(Typ.)	Itemp(A) Max.(Typ.)	Test Frequency (Hz)
CMI-CMMPF252010BC-R47M	0.47	20(16.5)	6.20(6.80)	5.10(5.60)	1M
CMI-CMMPF252010BC-1R0M	1.0	29(24)	5.00(5.50)	5.00(5.50)	1M
CMI-CMMPF252010BC-1R5M	1.5	42(35)	3.60(4.00)	3.60(4.00)	1M
CMI-CMMPF252010BC-2R2M	2.2	77(67)	2.50(2.70)	2.61(2.81)	1M
CMI-CMMPF252010BC-4R7M	4.7	130(100)	1.70(1.90)	2.00(2.30)	1M

- Isat: When based on the inductance change rate (Approximately 30% below in the initial value)
- Itemp: When based on the temperature increase (Temperature increase of approximately 40°C by self heating)
- Operating Temperature Range(including self temperature) : -40°C ~ +150 °c

Note 1 : Circuit design, component placement, PCB trace size and thickness, airflow and other cooling. Provision all affect the part Temperature. Part temperature should be verified in the end application.

▪ You can also contact us by e-mail : coilmaster@coilmaster.com

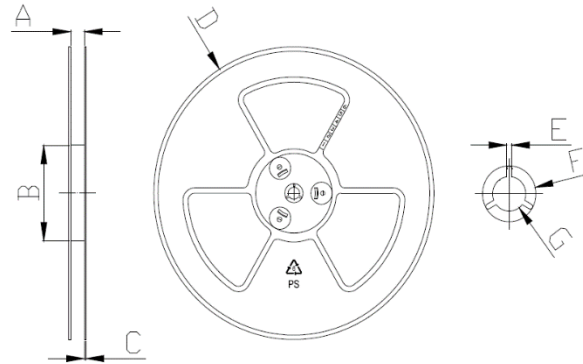
- All specifications are subject to change without notice.
- Update date : 2024.04.11

www.coilmaster.com

Packaging

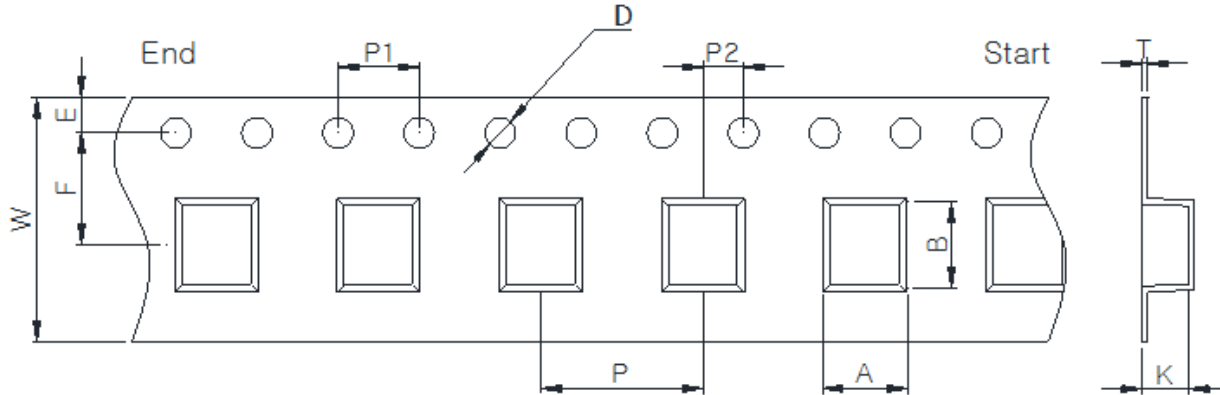
(1) Package quantity : 3,000 (pcs/reel)

(2) Reel Dimensions (unit:mm)



A	B	C	D	E	F	G
8.50	60.0	1.50	178.0	2.70	22.50	13.50
+0.50	+2.00	+0.20	+1.00	+0.30	+0.50	+0.50
-0.50	-2.00	-0.20	-1.00	-0.30	-0.50	-0.50

(3) Tape Dimensions



W	A	B	K	E	F	P	P1	P2	D	T
8.00	2.35	2.80	1.10	1.75	3.50	4.00	4.00	2.00	1.50	0.25
+0.10	+0.10	+0.10	+0.10	+0.15	+0.10	+0.10	+0.10	+0.05	+0.10	+0.05
-0.10	-0.10	-0.10	-0.10	-0.10	-0.10	-0.10	-0.10	-0.05	-0.00	-0.05

Korea Sales Office (KOREA) +82)31-904-1444
 China Sales Office (CHINA) +86)0758-683-1444
 Hungary Sales office (EUROPE) +36)1-404-5832

H.K Sales Office (HONGKONG) +852)2711-5551
 LA Sales Office (USA) +1)714-616-6989

• You can also contact us by e-mail : coilmaster@coilmaster.com

- All specifications are subject to change without notice.
- Update date : 2024.04.11

www.coilmaster.com