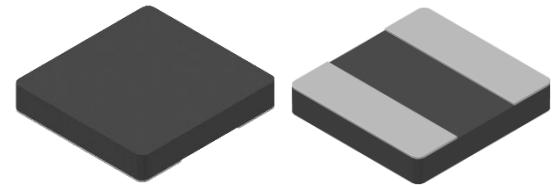


CMI-CMMPF7012H2-SERIES

Features

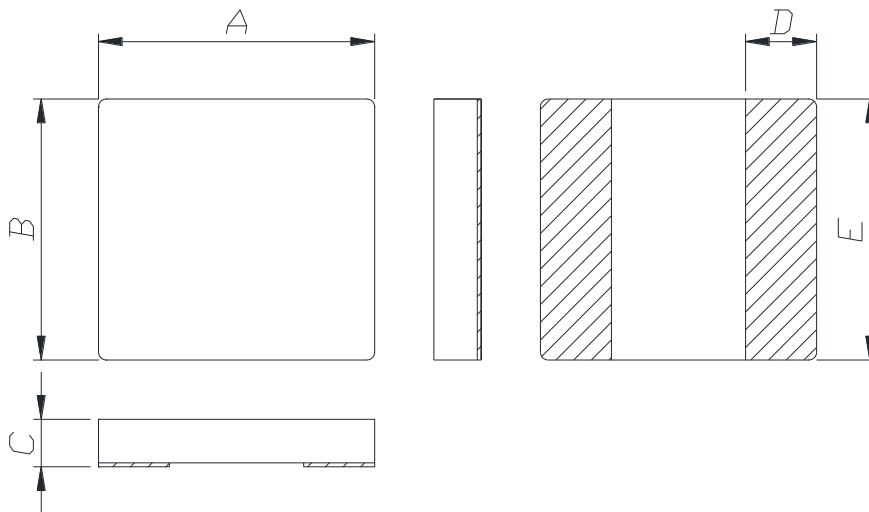
- ▶ Low Profile and Compact design.
- ▶ Low AC Loss
- ▶ Lower DCR with applying Flat wire
- ▶ Metal powder molding type for EMC protection.
- ▶ Available tape and reel for auto insertion.
- ▶ Halogen-Free
- ▶ RoHS compliant.
- ▶ AEC-Q200 qualified.



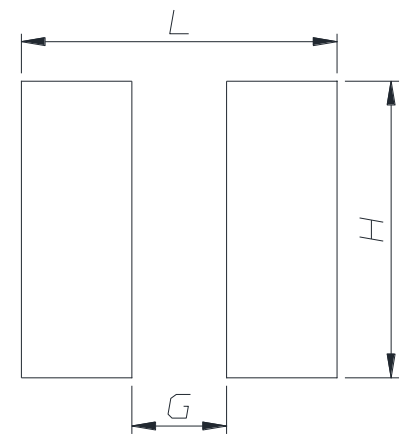
Applications

- ▶ Car navigation, Car Audio, ADAS ECU,
In-C-Vehicle camera (View camera, Sensing camera), Automotive communication module.

Dimension (Unit:mm)



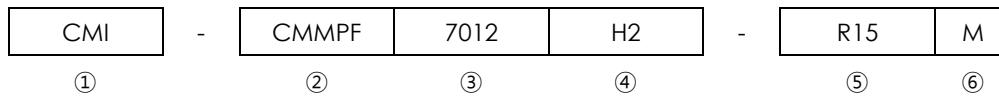
Land Pattern (Unit:mm)



A	B	C	D	E	G	H	L
7.0 ±0.3	6.6 ±0.3	1.2 Max.	1.8 ±0.3	6.6 ±0.3	2.4	7.5	8.0

- You can also contact us by e-mail : coilmaster@coilmaster.com
- All specifications are subject to change without notice.
- Update date : 2023.12.06

Regulation of part number



- ① CoilMaster's initial
- ② Series Name : Car Metal Molded Power inductor Flat wire type
- ③ Core Size (unit:mm)
- ④ Material
- ⑤ Typical inductance value (0.15uH)
- ⑥ Inductance tolerance (±20%)

Specifications

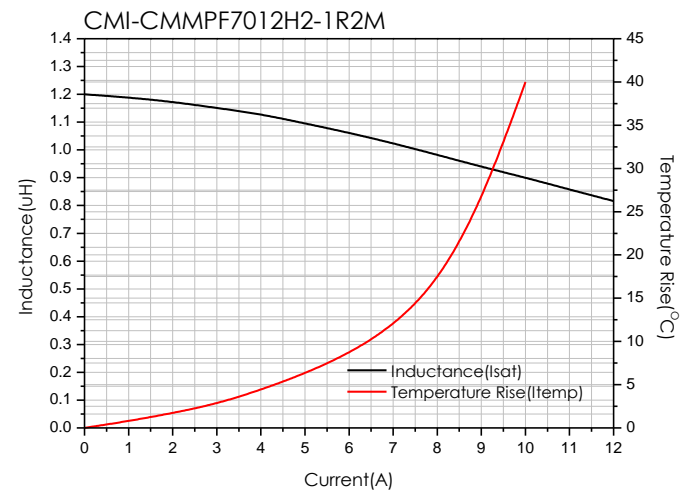
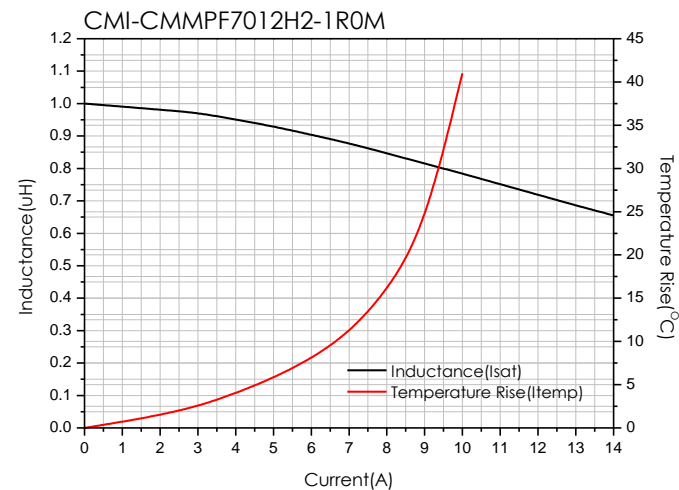
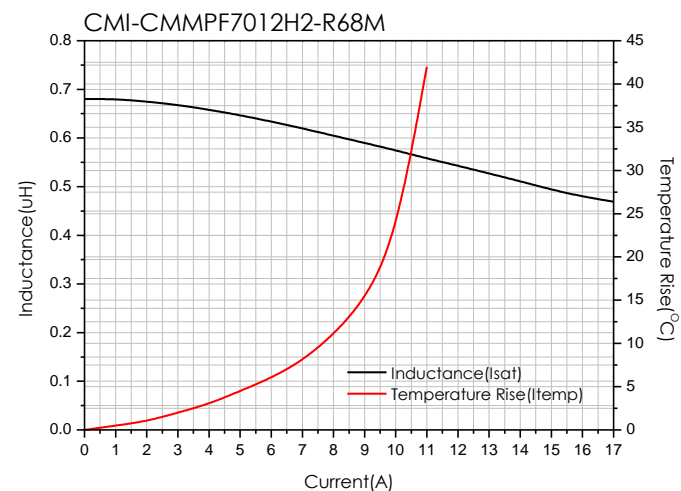
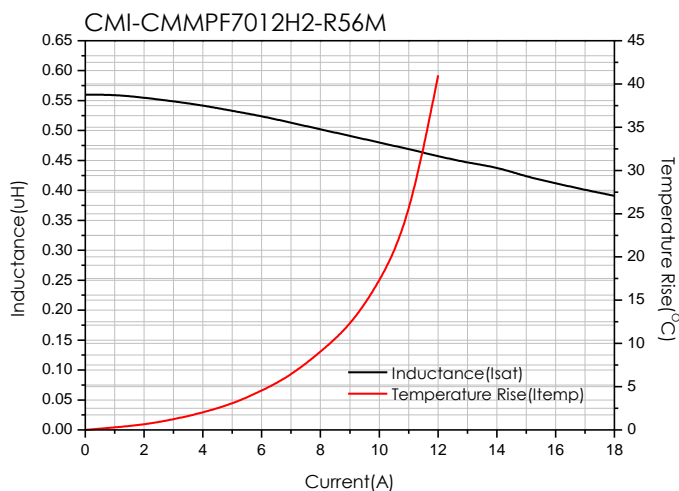
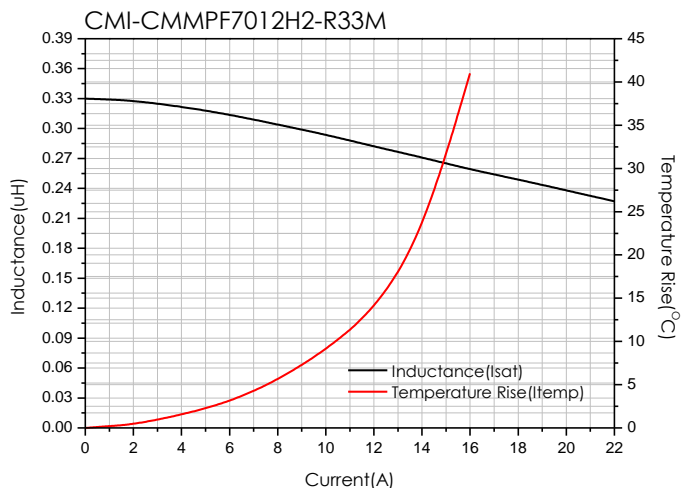
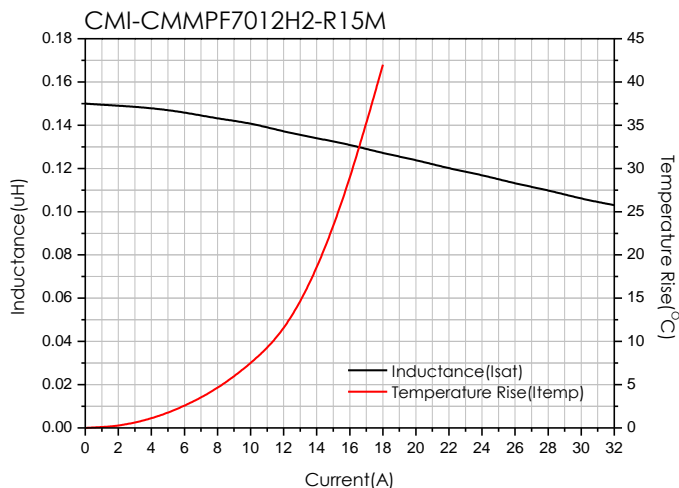
Part Number	Inductance (uH) ±20%	DCR(mohm) Max.(Typ.)	Isat(A) Max.(Typ.)	Itemp(A) Max.(Typ.)	Test Frequency (Hz)
CMI-CMMPF7012H2-R15M	0.15	6.0(5.0)	23.0(25.0)	14.0(16.0)	1M
CMI-CMMPF7012H2-R33M	0.33	10.2(8.5)	16.5(18.5)	11.5(13.5)	1M
CMI-CMMPF7012H2-R56M	0.56	16.2(13.5)	13.5(15.5)	10.0(11.0)	1M
CMI-CMMPF7012H2-R68M	0.68	24.0(20.0)	11.5(13.5)	8.5(9.5)	1M
CMI-CMMPF7012H2-1R0M	1.0	30.0(25.0)	9.5(10.5)	8.0(9.0)	1M
CMI-CMMPF7012H2-1R2M	1.2	36.0(30.0)	8.8(9.8)	7.5(8.5)	1M
CMI-CMMPF7012H2-1R5M	1.5	42.0(35.0)	8.0(9.0)	7.0(8.0)	1M

- Isat: When based on the inductance change rate (approximately 30% below in the initial value)
- Itemp: When based on the temperature increase (Temperature increase of approximately 40°C by self heating)
- Operating Temperature Range(including self temperature) : -40°C ~ +150 °C

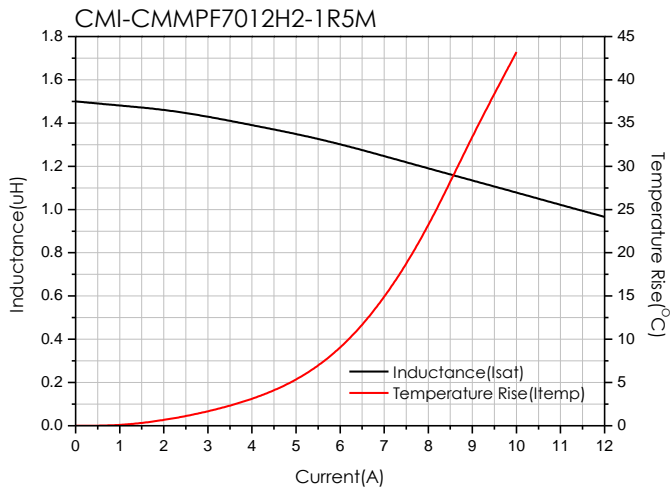
Note 1 : Circuit design, component placement, PCB trace size and thickness, airflow and other cooling. Provision all affect the part Temperature. Part temperature should be verified in the end application.

- **You can also contact us by e-mail : coilmaster@coilmaster.com**
- All specifications are subject to change without notice.
- Update date : 2023.12.06

Electrical characteristics



- You can also contact us by e-mail : coilmaster@coilmaster.com
- All specifications are subject to change without notice.
- Update date : 2023.12.06

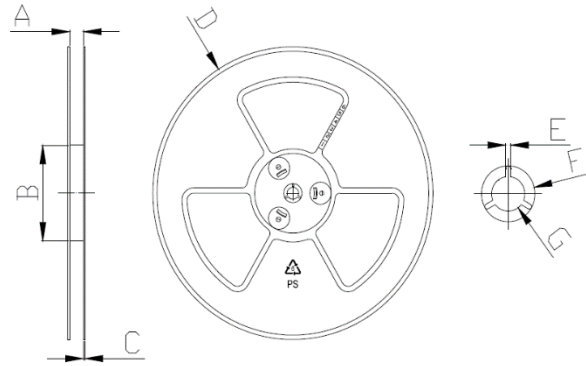


- You can also contact us by e-mail : coilmaster@coilmaster.com
- All specifications are subject to change without notice.
- Update date : 2023.12.06

Packaging

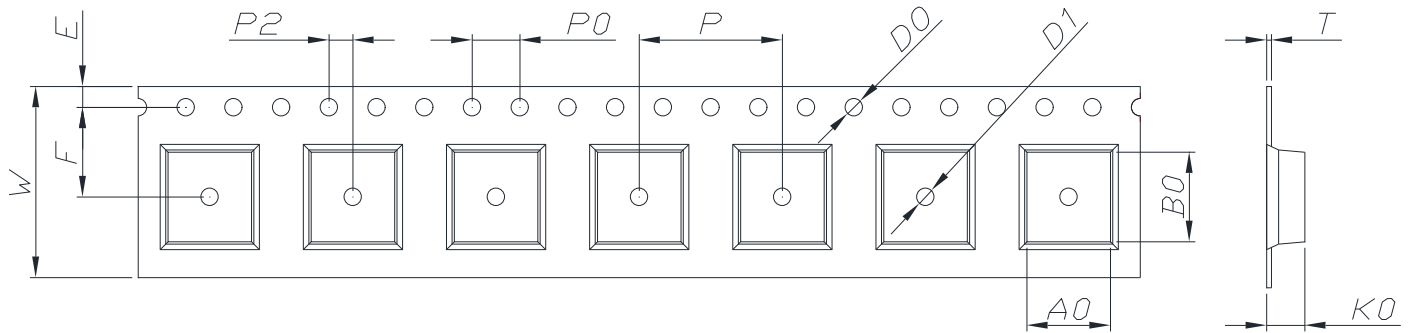
(1) Package quantity : 2,500 (pcs/reel)

(2) Reel Dimensions (unit:mm)



A	B	C	D	E	F	G
16.50	100.0	2.00	330.0	2.30	21.50	13.00
+0.50	+1.00	+0.10	+3.00	+0.30	+0.30	+0.50
-0.50	-1.00	-0.10	-3.00	-0.30	-0.30	-0.20

(3) Tape Dimensions



W	A0	B0	K0	E	F	P	P0	P2	D0/D1	T
16.00	7.00	7.50	1.50	1.75	7.50	12.00	4.00	2.00	1.50	0.30
+0.30	+0.10	+0.10	+0.10	+0.10	+0.10	+0.10	+0.10	+0.10	+0.10	+0.05
-0.10	-0.10	-0.10	-0.10	-0.10	-0.10	-0.10	-0.10	-0.10	-0.00	-0.05

Korea Sales Office (KOREA) +82)31-904-1444
 China Sales Office (CHINA) +86)0758-683-1444
 Hungary Sales office (EUROPE) +36)1-404-5832

H.K Sales Office (HONGKONG) +852)2711-5551
 LA Sales Office (USA) +1)714-616-6989

• You can also contact us by e-mail : coilmaster@coilmaster.com

- All specifications are subject to change without notice.
- Update date : 2023.12.06

www.coilmaster.com