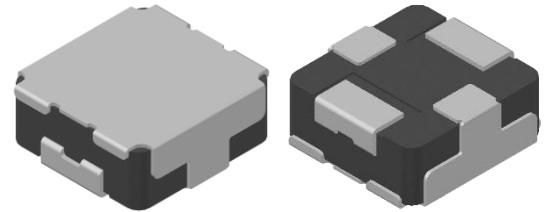


# CMI-CMMPP10040HL-SC SERIES

## Features

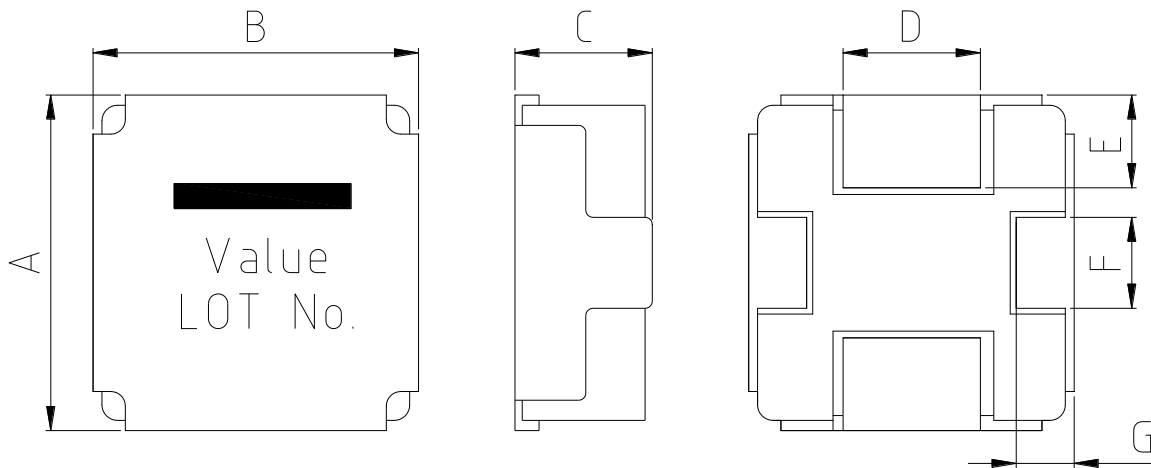
- ▶ Strong to vibration.
- ▶ Metal powder molding type for EMC protection.
- ▶ Available tape and reel for auto insertion.
- ▶ Halogen-Free.
- ▶ RoHS compliant.
- ▶ AEC-Q200 qualified.



## Applications

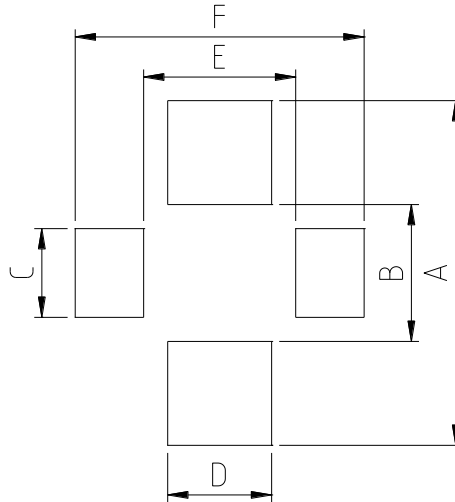
- ▶ Equipment using for automobiles (ECM, Airbags, Headlights, Electronic Power steering, Motors, ABS, other)

## Dimension (Unit:mm)



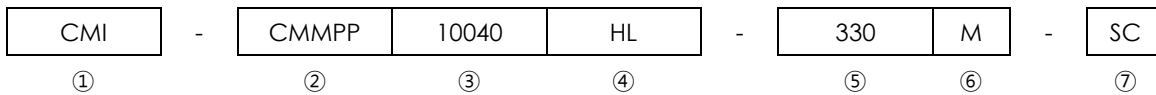
A	B	C	D	E	F	G
11.2 ±0.5	10.5 ±0.4	4.3 Max.	2.0 ±0.3	3.0 ±0.2	3.0 ±0.2	2.4 ±0.2

## Land Pattern (Unit:mm)



A	B	C	D	E	F
13.6	5.4	3.5	4.1	5.4	11.4

## Regulation of part number



- ① CoilMaster's initial
- ② Series Name : Car Metal powder Molded Pin type Power inductor
- ③ Core Size (unit:mm)
- ④ Material
- ⑤ Typical inductance value (33uH)
- ⑥ Inductance tolerance ( $\pm 20\%$ )
- ⑦ Revision (SC)

• You can also contact us by e-mail : [coilmaster@coilmaster.com](mailto:coilmaster@coilmaster.com)

• All specifications are subject to change without notice.

• Update date : 2021.04.20

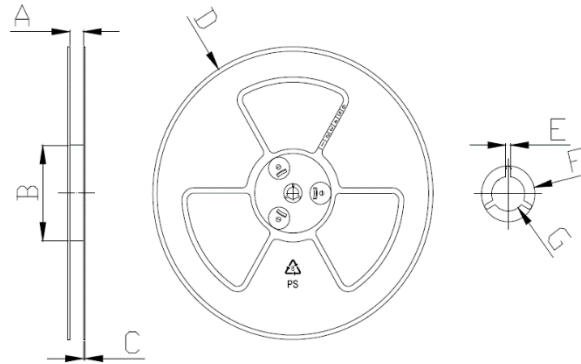
[www.coilmaster.com](http://www.coilmaster.com)



## Packaging

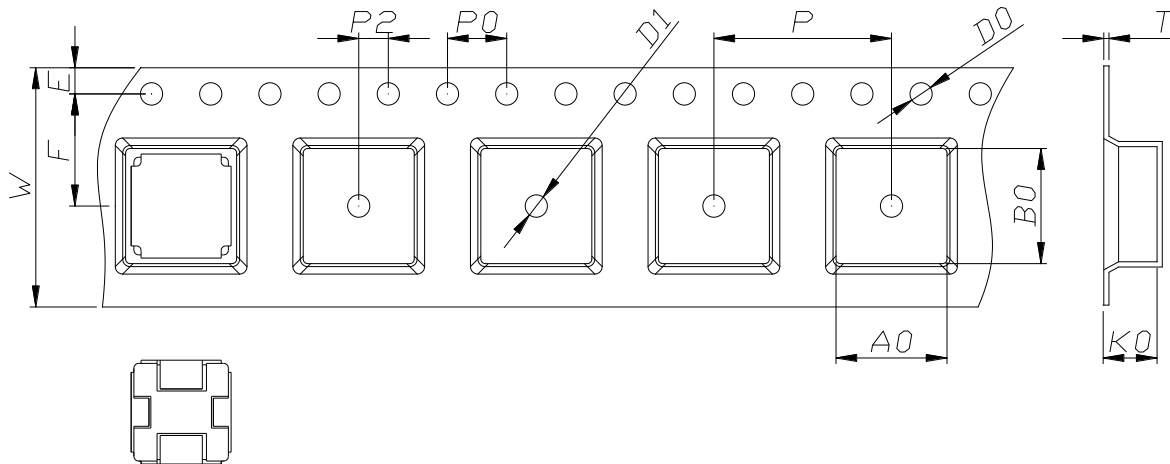
(1) Package quantity : 800 (pcs/reel)

(2) Reel Dimensions (unit:mm)



A	B	C	D	E	F	G
24.50	100.0	2.00	330.0	1.90	21.00	13.00
+1.00	+1.50	+0.10	+1.00	+0.40	+0.40	+0.40
-1.00	-1.50	-0.10	-1.00	-0.40	-0.40	-0.40

(3) Tape Dimensions



W	A0	B0	K0	E	F	P	P0	P2	D0/D1	T
24.00	11.00	11.80	4.50	1.75	11.50	16.00	4.00	2.00	1.50	0.40
+0.30	+0.10	+0.10	+0.10	+0.10	+0.10	+0.10	+0.10	+0.10	+0.10	+0.05
-0.10	-0.10	-0.10	-0.10	-0.10	-0.10	-0.10	-0.10	-0.10	-0.00	-0.05

Korea Sales Office (KOREA) +82)31-904-1444  
 China Sales Office (CHINA) +86)0758-683-1444  
 Hungary Sales office (EUROPE) +36)1-404-5832

H.K Sales Office (HONGKONG) +852)2711-5551  
 LA Sales Office (USA) +1)714-616-6989

• You can also contact us by e-mail : [coilmaster@coilmaster.com](mailto:coilmaster@coilmaster.com)

- All specifications are subject to change without notice.
- Update date : 2021.04.20

[www.coilmaster.com](http://www.coilmaster.com)