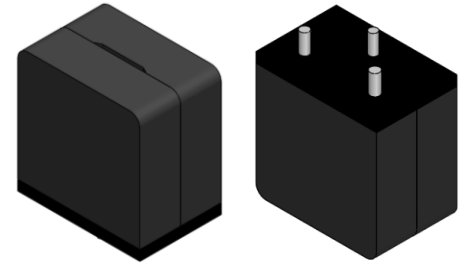


CMI-CSBL2323B3-220M

Features

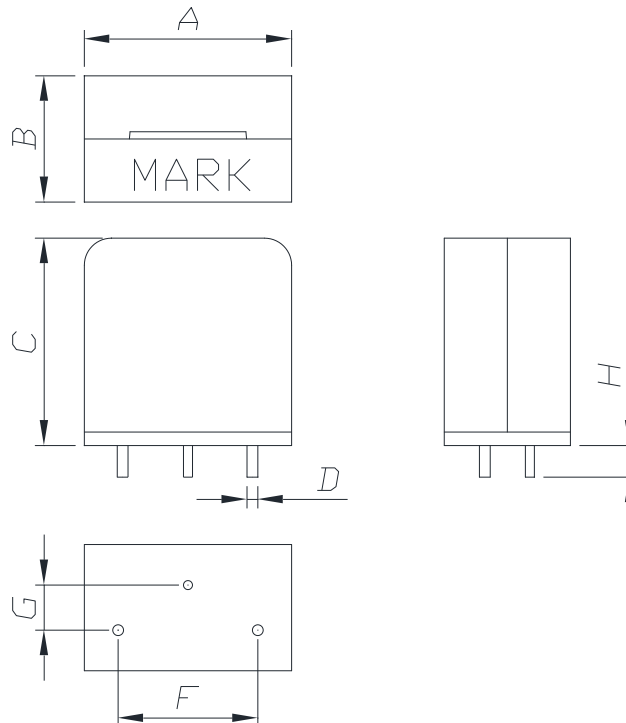
- ▶ Magnetically shielded
- ▶ High current and low profile.
- ▶ Extra solder pad for increased mechanical stability
- ▶ RoHS compliant.
- ▶ AEC-Q200 qualified.



Applications

- ▶ Equipment using for automobiles (ECM, Airbags, Headlights, Electronic Power Steering, Motors, ABS, other) ESS (Energy Storage System)

Dimension (Unit: mm)



A	B	C	D	E	F	G
23.0 ±1	14.5 ±1.0	23.0 Max.	1.2 ±0.2	1.0 ±0.2	15.5 ±0.5	5.0 ±0.5

• You can also contact us by e-mail : coilmaster@coilmaster.com
 • All specifications are subject to change without notice.
 • Update date : 2024.10.23

