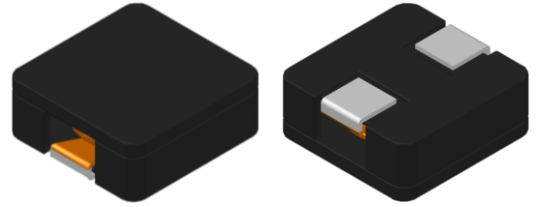




CMI-CSSMF10030MH-SERIES

Features

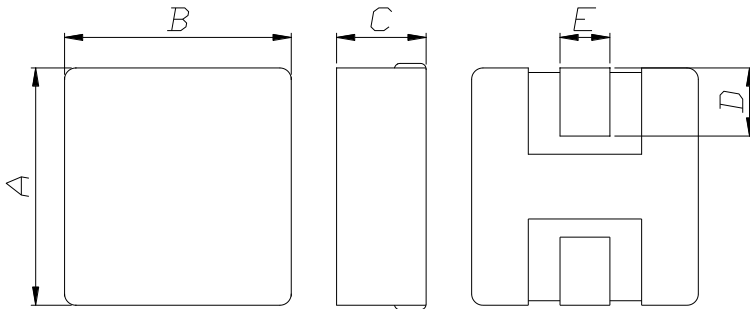
- ▶ High current and low profile
- ▶ Low DC resistance
- ▶ Magnetic shielding for high-density packaging
- ▶ Available tape and reel for auto insertion.
- ▶ Halogen-Free / RoHS compliant.
- ▶ AEC-Q200 qualified.



Applications

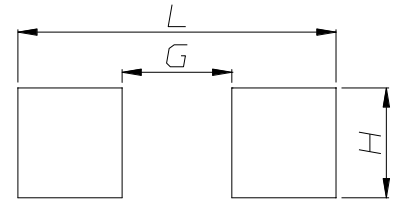
- ▶ Equipment using for automobile (ECM, Airbags, Headlights, Electronic Power Steering, Motors, ABS, other)
- Soft saturation makes them ideal for VRD/VRM applications

Dimension (Unit:mm)



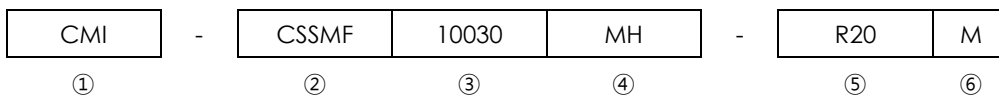
A	B	C	D	E
11.2 Max.	10.2±0.5	3.0±0.3	2.5±0.5	2.0±0.5

Land Pattern (Unit:mm)



L	G	H
11.5	3.8	4.0

Regulation of part number



- ① CoilMaster's initial
- ② Series Name : Car Metal material Square Shield Flat wire type Power inductor
- ③ Core Size (unit:mm)
- ④ Material
- ⑤ Typical inductance value (0.20uH)
- ⑥ Inductance tolerance (±20%)

- You can also contact us by e-mail : coilmaster@coilmaster.com
- All specifications are subject to change without notice.
- Update date : 2021.03.10

Specifications

Part Number	Inductance (uH) ±20%	DCR(mohm) Max.(Typ.)	Isat(A) Typ.	Irms(A) Typ.	Test Frequency (Hz)
CMI-CSSMF10030MH-R20M	0.20	0.95(0.82)	50.00	22.00	100k
CMI-CSSMF10030MH-R47M	0.47	2.50(2.15)	32.00	18.00	100k
CMI-CSSMF10030MH-1R0M	1.0	4.70(4.08)	21.00	15.00	100k
CMI-CSSMF10030MH-1R5M	1.5	7.60(6.58)	18.00	12.00	100k
CMI-CSSMF10030MH-2R2M	2.2	13.30(11.50)	15.00	9.00	100k
CMI-CSSMF10030MH-2R5M	2.5	13.30(11.50)	12.00	9.00	100k

- Isat: When based on the inductance change rate (approximately 30% below in the initial value)
- Irms: When based on the temperature increase (Temperature increase of approximately 50 °c by self heating)
- Operating Temperature Range(including self temperature) : -40 °c ~ +165 °c

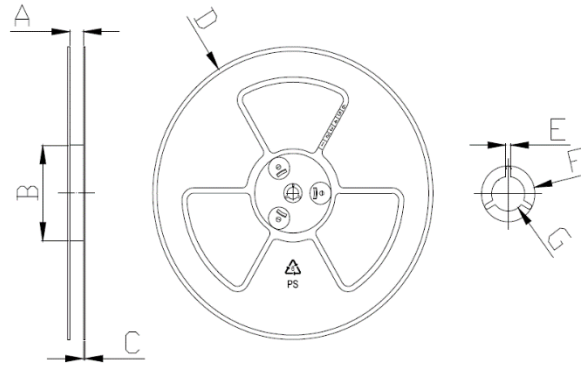
Note 1 : Circuit design, component placement, PCB trace size and thickness, airflow and other cooling. Provision all affect the part Temperature. Part temperature should be verified in the end application.

- **You can also contact us by e-mail : coilmaster@coilmaster.com**
- All specifications are subject to change without notice.
- Update date : 2021.03.10

Packaging

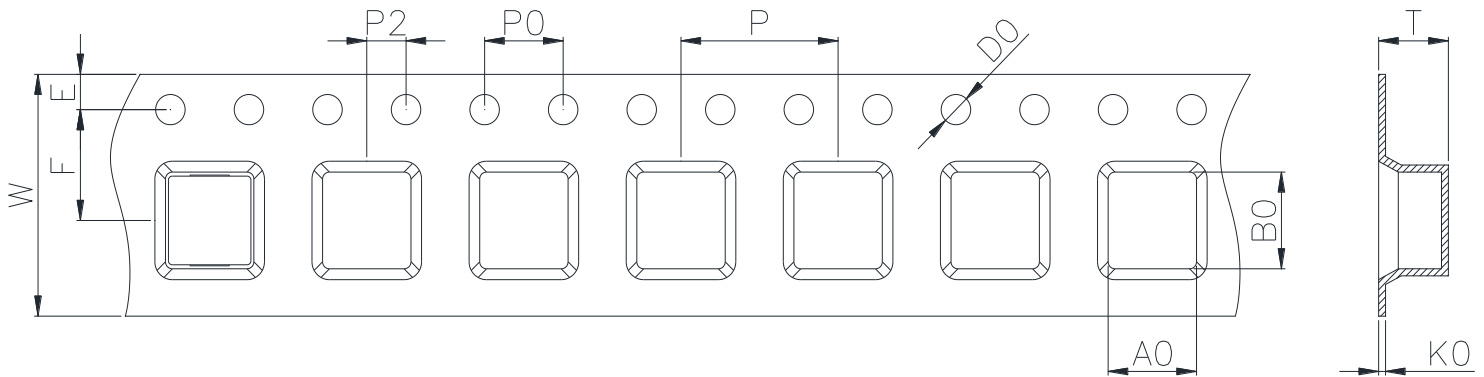
(1) Package quantity : 800 (pcs/reel)

(2) Reel Dimensions (unit:mm)



A	B	C	D	E	F	G
24.50	100.0	2.30	330.0	2.30	21.50	13.00
+0.50	+1.00	+0.20	+3.00	+0.30	+0.30	+0.50
-0.50	-1.00	-0.20	-3.00	-0.30	-0.30	-0.20

(3) Tape Dimensions



W	A0	B0	K0	E	F	P	P0	P2	D0/D1	T
24.00	10.80	11.00	4.00	1.75	11.50	16.00	4.00	2.00	1.50	0.40
+0.30	+0.10	+0.10	+0.10	+0.10	+0.10	+0.10	+0.10	+0.10	+0.05	+0.05
-0.30	-0.10	-0.10	-0.10	-0.10	-0.10	-0.10	-0.10	-0.10	-0.05	-0.05

Ilisan Sales Office (KOREA) +82)31-904-1444
 Shenzhen Sales Office (CHINA) +86)755-8663-6929
 Hungary Sales office (EUROPE) +36)30-913-7706

H.K Sales Office (HONGKONG) +852)2711-5551
 LA Sales Office (USA) +1)866-446-3586

• You can also contact us by e-mail : coilmaster@coilmaster.com

- All specifications are subject to change without notice.
- Update date : 2021.03.10

www.coilmaster.com