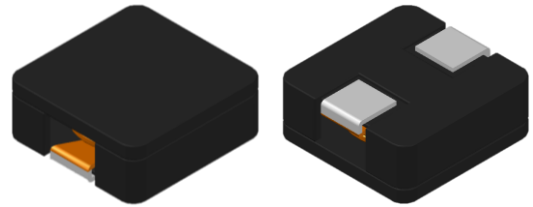


CMI-CSSMF16070MH-SERIES

Features

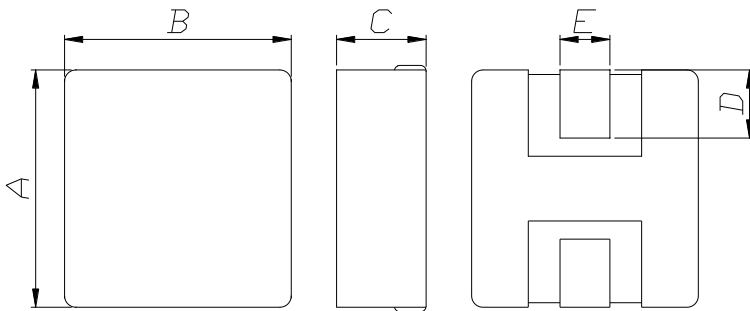
- ▶ High current and low profile
- ▶ Low DC resistance
- ▶ Magnetic shielding for high-density packaging
- ▶ Available tape and reel for auto insertion.
- ▶ Halogen-Free / RoHS compliant.
- ▶ AEC-Q200 qualified.



Applications

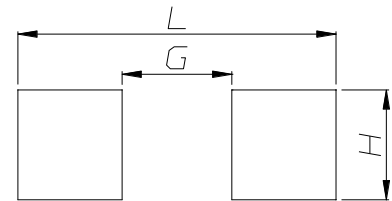
- ▶ Equipment using for automobile (ECM, Airbags, Headlights, Electronic Power Steering, Motors, ABS, other)
- Soft saturation makes them ideal for VRD/VRM applications

Dimension (Unit:mm)



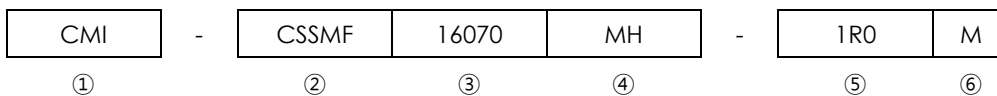
A	B	C	D	E
16.8 Max.	16.0±0.5	6.7±0.3	3.5±0.5	3.2±0.5

Land Pattern (Unit:mm)



L	G	H
18.0	3.8	4.5

Regulation of part number



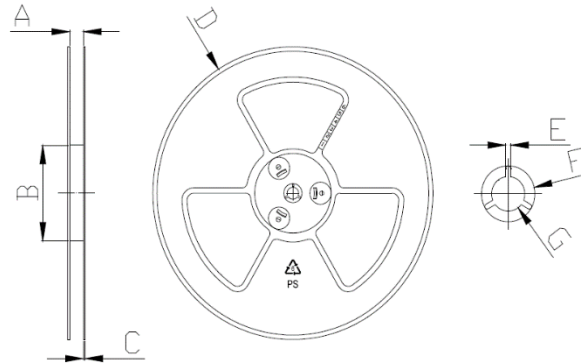
- ① CoilMaster's initial
- ② Series Name : Car Metal material Square Shield Flat wire type Power inductor
- ③ Core Size (unit:mm)
- ④ Material
- ⑤ Typical inductance value (1.0uH)
- ⑥ Inductance tolerance (±20%)

- You can also contact us by e-mail : coilmaster@coilmaster.com
- All specifications are subject to change without notice.
- Update date : 2021.09.02

Packaging

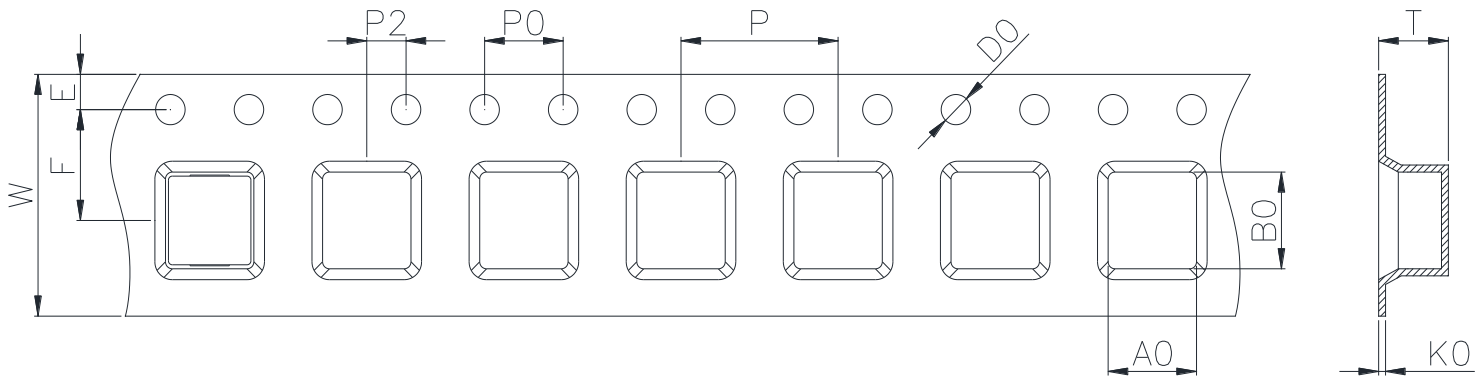
(1) Package quantity : 200 (pcs/reel)

(2) Reel Dimensions (unit:mm)



A	B	C	D	E	F	G
32.50	100.0	2.30	330.0	2.30	21.50	13.00
+1.50	+1.00	+0.20	+2.00	+0.30	+0.30	+0.50
-0.00	-1.00	-0.20	-2.00	-0.30	-0.30	-0.20

(3) Tape Dimensions



W	A0	B0	K0	E	F	P	P0	P2	D0/D1	T
32.00	16.60	16.50	7.20	1.75	14.20	20.00	4.00	2.00	1.50	0.50
+0.30	+0.10	+0.10	+0.10	+0.10	+0.10	+0.10	+0.10	+0.10	+0.05	+0.05
-0.30	-0.10	-0.10	-0.10	-0.10	-0.10	-0.10	-0.10	-0.10	-0.05	-0.05

Ilisan Sales Office (KOREA) +82)31-904-1444
 Shenzhen Sales Office (CHINA) +86)755-8663-6929
 Hungary Sales office (EUROPE) +36)30-913-7706

H.K Sales Office (HONGKONG) +852)2711-5551
 LA Sales Office (USA) +1)866-446-3586

• You can also contact us by e-mail : coilmaster@coilmaster.com

- All specifications are subject to change without notice.
- Update date : 2021.09.02

www.coilmaster.com