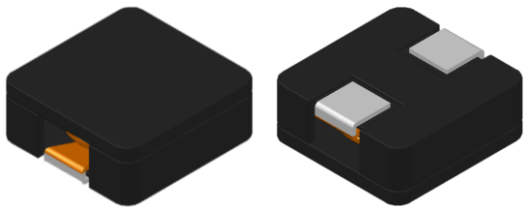


CMI-CSSMF6040MH-SERIES

Features

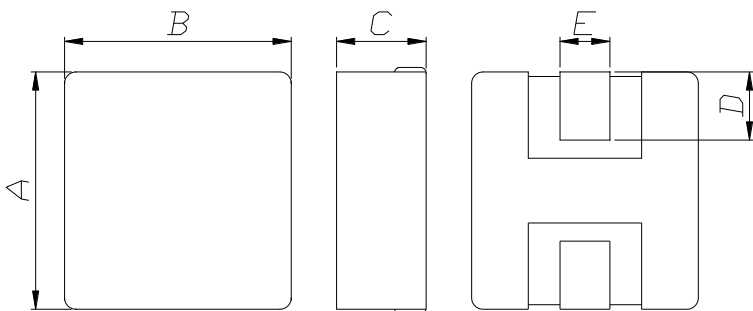
- ▶ High current and low profile
- ▶ Low DC resistance
- ▶ Magnetic shielding for high-density packaging
- ▶ Available tape and reel for auto insertion.
- ▶ Halogen-Free / RoHS compliant.
- ▶ AEC-Q200 qualified.



Applications

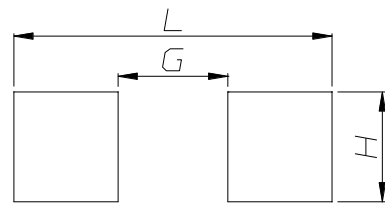
- ▶ Equipment using for automobile (ECM, Airbags, Headlights, Electronic Power Steering, Motors, ABS, other)
- Soft saturation makes them ideal for VRD/VRM applications

Dimension (Unit:mm)



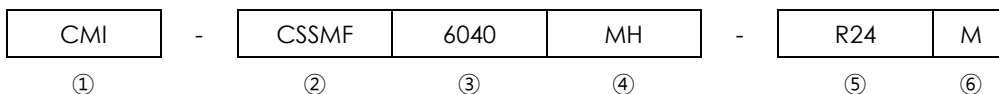
A	B	C	D	E
7.0±0.5	6.9±0.3	3.7±0.3	1.8±0.3	1.4±0.3

Land Pattern (Unit:mm)



L	G	H
7.8	2.4	2.2

Regulation of part number



- ① CoilMaster's initial
- ② Series Name : Car Metal material Square Shield Flat wire type Power inductor
- ③ Core Size (unit:mm)
- ④ Material
- ⑤ Typical inductance value (0.24uH)
- ⑥ Inductance tolerance (±20%)

- You can also contact us by e-mail : coilmaster@coilmaster.com
- All specifications are subject to change without notice.
- Update date : 2021.09.02

Specifications

Part Number	Inductance (uH) ±20%	DCR(mohm) Max.(Typ.)	Isat(A) Typ.	Irms(A) Typ.	Test Frequency (Hz)
CMI-CSSMF6040MH-R24M	0.24	1.20(1.00)	30.00	21.00	100k
CMI-CSSMF6040MH-R47M	0.47	1.90(1.66)	25.00	19.00	100k
CMI-CSSMF6040MH-R68M	0.68	3.20(2.72)	20.00	17.50	100k
CMI-CSSMF6040MH-1R0M	1.0	4.50(3.90)	19.00	15.50	100k
CMI-CSSMF6040MH-1R5M	1.5	6.20(5.40)	14.00	11.50	100k
CMI-CSSMF6040MH-2R2M	2.2	12.10(10.50)	13.00	9.00	100k
CMI-CSSMF6040MH-3R5M	3.5	17.30(15.00)	11.00	6.80	100k
CMI-CSSMF6040MH-4R7M	4.7	21.20(18.40)	8.50	6.40	100k
CMI-CSSMF6040MH-5R6M	5.6	23.00(20.10)	7.80	5.50	100k
CMI-CSSMF6040MH-6R5M	6.5	36.20(31.50)	6.50	4.60	100k

- Isat: When based on the inductance change rate (approximately 30% below in the initial value)
- Irms: When based on the temperature increase (Temperature increase of approximately 50°C by self heating)
- Operating Temperature Range(including self temperature) : -40°C ~ +165 °c

Note 1 : Circuit design, component placement, PCB trace size and thickness, airflow and other cooling. Provision all affect the part Temperature. Part temperature should be verified in the end application.

• You can also contact us by e-mail : coilmaster@coilmaster.com

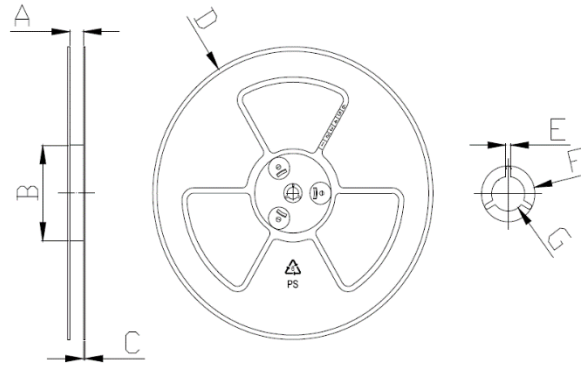
- All specifications are subject to change without notice.
- Update date : 2021.09.02

www.coilmaster.com

Packaging

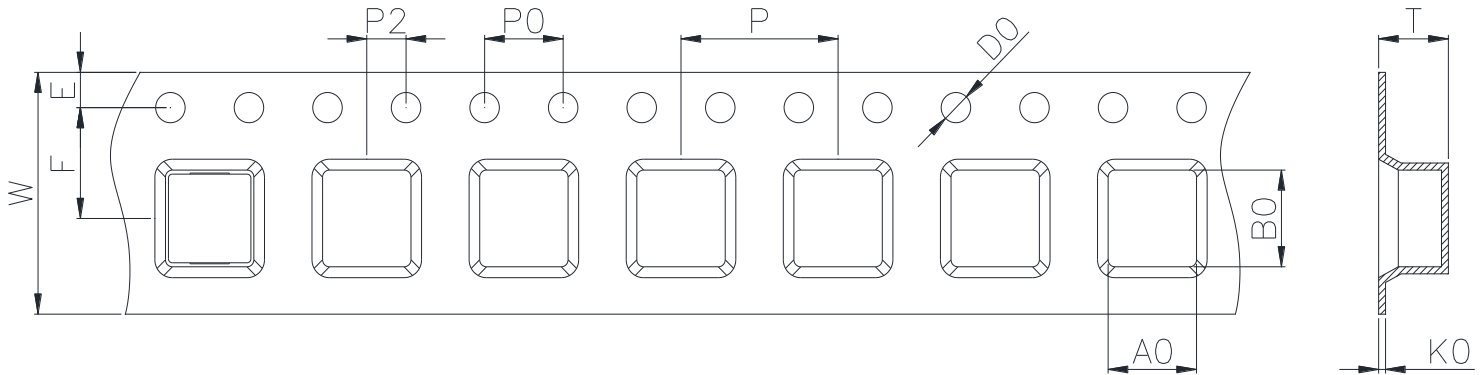
(1) Package quantity : 1,000 (pcs/reel)

(2) Reel Dimensions (unit:mm)



A	B	C	D	E	F	G
16.50	100.0	2.30	330.0	2.30	21.50	13.00
+0.50	+1.00	+0.20	+2.00	+0.30	+0.30	+0.50
-0.50	-1.00	-0.20	-2.00	-0.30	-0.30	-0.20

(3) Tape Dimensions



W	A0	B0	K0	E	F	P	P0	P2	D0/D1	T
16.00	7.30	7.55	4.80	1.75	7.50	12.00	4.00	2.00	1.50	0.40
+0.30	+0.10	+0.10	+0.10	+0.10	+0.10	+0.10	+0.10	+0.10	+0.10	+0.05
-0.30	-0.10	-0.10	-0.10	-0.10	-0.10	-0.10	-0.10	-0.10	-0.00	-0.05

Ilisan Sales Office (KOREA) +82)31-904-1444
 Shenzhen Sales Office (CHINA) +86)755-8663-6929
 Hungary Sales office (EUROPE) +36)30-913-7706

H.K Sales Office (HONGKONG) +852)2711-5551
 LA Sales Office (USA) +1)866-446-3586

• You can also contact us by e-mail : coilmaster@coilmaster.com

- All specifications are subject to change without notice.
- Update date : 2021.09.02

www.coilmaster.com