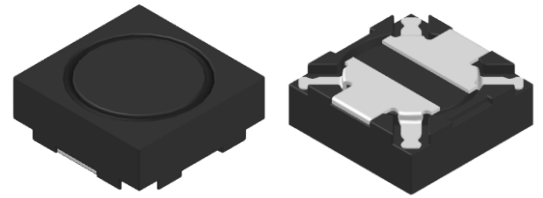


# CMI-CSSP5018NF-SERIES

## Features

- ▶ Low profile.
- ▶ Magnetic shield type wound inductor for power circuits.
- ▶ Available tape and reel for auto insertion
- ▶ RoHS compliant
- ▶ AEC-Q200 qualified

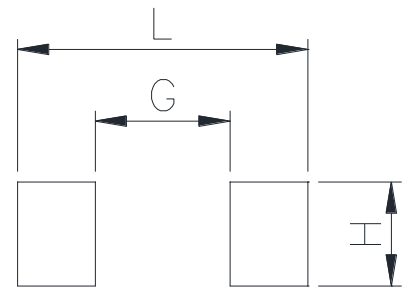
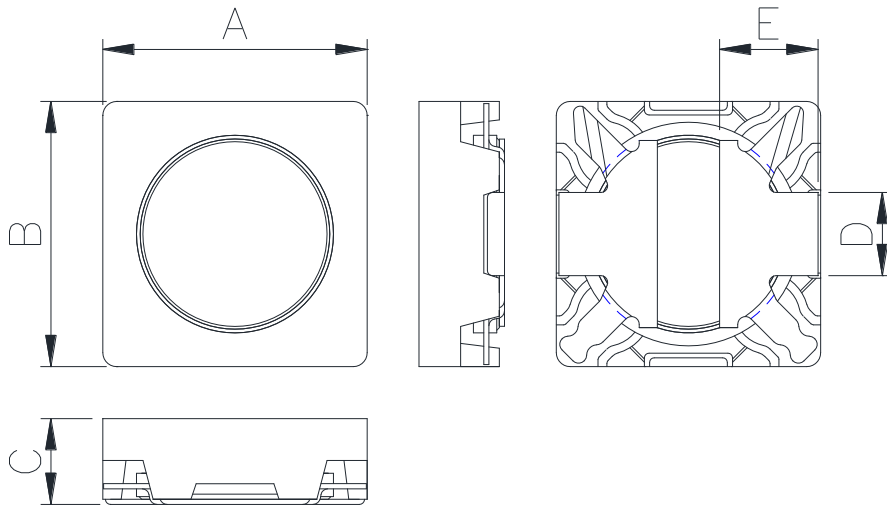


## Applications

- ▶ Equipment using for automobiles  
(ECM, Airbags, Headlights, Electronic Powder Steering, Motors, ABS, other)

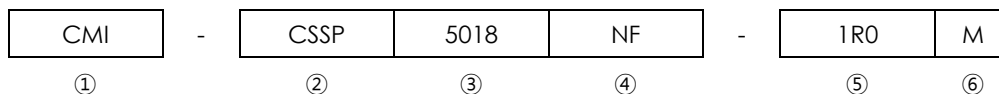
## Dimension (Unit:mm)

## Land Pattern (Unit:mm)



A	B	C	D	E	G	H	L
5.0 ±0.2	5.0 ±0.2	1.8 Max.	1.6 ±0.2	1.9 ±0.2	2.6	2.0	5.6

## Regulation of part number



- ① CoilMaster's initial
- ② Series Name : Car Shielded core Square shape Pin type Power Inductor
- ③ Core Size (unit:mm)
- ④ Type
- ⑤ Typical inductance value (1.0uH)
- ⑥ Inductance tolerance ( $\pm 20\%$ )

## Specifications

Part Number	Inductance (uH)	Tolerance ( $\pm$ )	DCR (mohm) Max.(Typ.)	Isat(A) Max.(Typ.)	Itemp(A) Max.(Typ.)	Test Frequency (Hz)
CMI-CSSP5018NF-1R0M	1.0	20%	36(30)	4.9(5.4)	3.9(4.3)	100k
CMI-CSSP5018NF-1R2M	1.2	20%	40(33)	4.2(4.6)	3.7(4.1)	100k
CMI-CSSP5018NF-2R2M	2.2	20%	62.4(52)	3.2(3.4)	2.8(3.0)	100k
CMI-CSSP5018NF-3R3M	3.3	20%	86.4(72)	2.7(3.0)	2.3(2.5)	100k
CMI-CSSP5018NF-4R7M	4.7	20%	112(93)	2.3(2.4)	2.1(2.3)	100k
CMI-CSSP5018NF-6R8M	6.8	20%	155(129)	1.9(2.1)	1.7(1.8)	100k

- Isat: When based on the inductance change rate (Approximately 30% below in the initial value)
- Itemp: When based on the temperature increase (Temperature increase of approximately 40°C by self heating)
- Operating Temperature Range (including self temperature) : -40°C ~ +165 °c

Note 1 : Circuit design, component placement, PCB trace size and thickness, airflow and other cooling. Provision all affect the part Temperature. Part temperature should be verified in the end application.

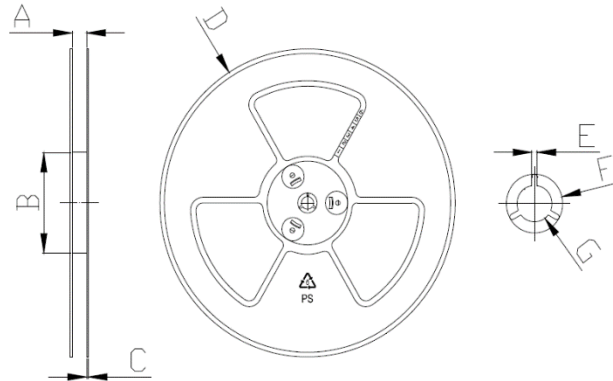
• You can also contact us by e-mail : [coilmaster@coilmaster.com](mailto:coilmaster@coilmaster.com)

- All specifications are subject to change without notice.
- Update date : 2021.11.18

## Packaging

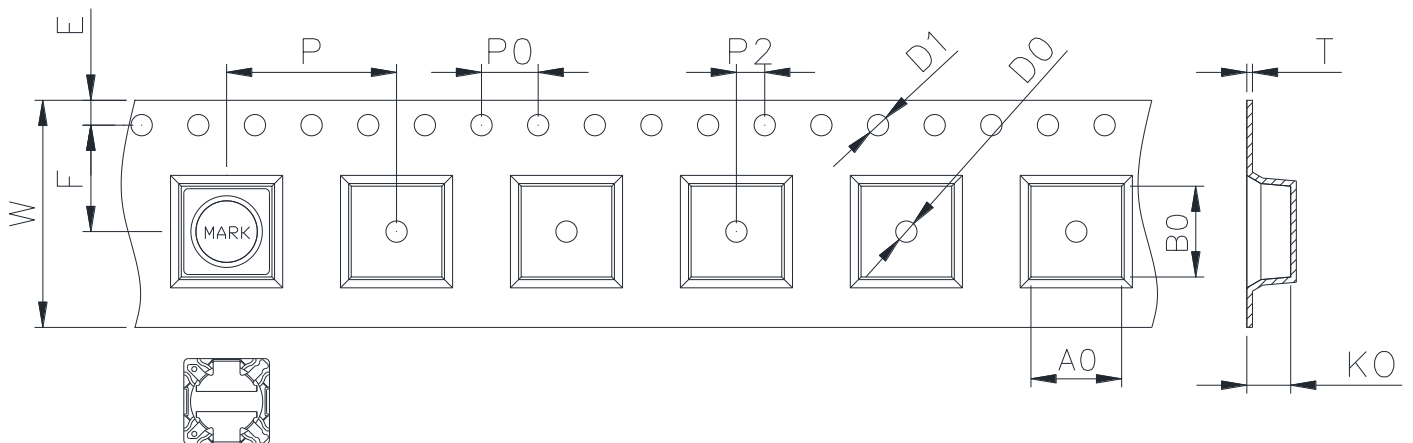
(1) Package quantity : 2,500 (pcs/reel)

(2) Reel Dimensions (unit:mm)



A	B	C	D	E	F	G
12.50	100.0	2.00	330.0	2.30	21.50	13.00
+0.50	+1.00	+0.10	+3.00	+0.30	+0.30	+0.50
-0.50	-1.00	-0.10	-3.00	-0.30	-0.30	-0.20

(3) Tape Dimensions



W	A0	B0	K0	E	F	P	P0	P2	D0/D1	T
12.00	5.40	5.45	2.40	1.75	5.50	8.00	4.00	2.00	1.50	0.30
+0.30	+0.10	+0.10	+0.10	+0.10	+0.10	+0.10	+0.10	+0.10	+0.10	+0.05
-0.30	-0.10	-0.10	-0.10	-0.10	-0.10	-0.10	-0.10	-0.10	-0.00	-0.05

Korea Sales Office (KOREA) +82)31-904-1444  
 China Sales Office (CHINA) +86)0758-683-1444  
 Hungary Sales office (EUROPE) +36)1-404-5832

H.K Sales Office (HONGKONG) +852)2711-5551  
 LA Sales Office (USA) +1)714-616-6989

• You can also contact us by e-mail : [coilmaster@coilmaster.com](mailto:coilmaster@coilmaster.com)

- All specifications are subject to change without notice.
- Update date : 2021.11.18

[www.coilmaster.com](http://www.coilmaster.com)