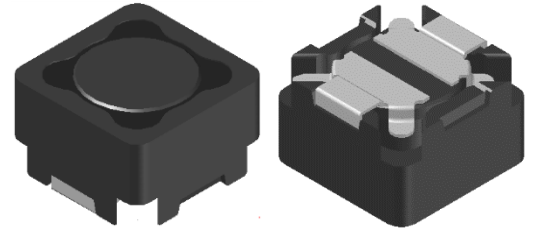




CMI-CSSP7045NF-SERIES

Features

- ▶ Magnetic shield type wound inductor for power circuits.
- ▶ Available tape and reel for auto insertion
- ▶ RoHS compliant
- ▶ AEC-Q200 qualified

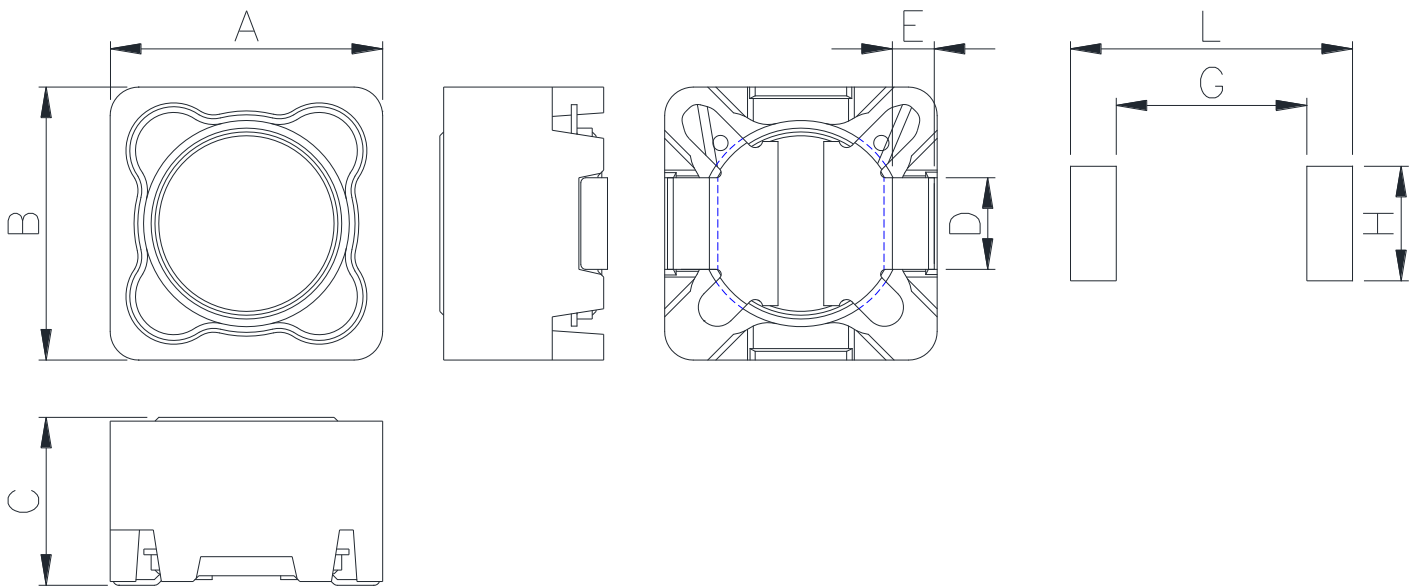


Applications

- ▶ Equipment using for automobiles
(ECM, Airbags, Headlights, Electronic Powder Steering, Motors, ABS, other)

Dimension (Unit:mm)

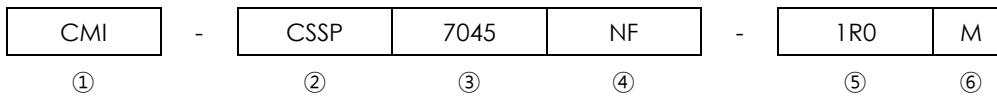
Land Pattern (Unit:mm)



A	B	C	D	E	G	H	L
7.15 ±0.2	7.15 ±0.2	4.5 Max.	2.4 ±0.2	1.1 ±0.2	5.0	3.0	7.4

• You can also contact us by e-mail : coilmaster@coilmaster.com
 • All specifications are subject to change without notice.
 • Update date : 2024.01.22

Regulation of part number



- ① CoilMaster's initial
- ② Series Name : Car Shielded core Square shape Pin type Power Inductor
- ③ Core Size (unit:mm)
- ④ Type
- ⑤ Typical inductance value (1.0uH)
- ⑥ Inductance tolerance ($\pm 20\%$)

Specifications

Part Number	Inductance (uH)	Tolerance (\pm)	DCR (mohm) Max.(Typ.)	Isat(A) Max.(Typ.)	Itemp(A) Max.(Typ.)	Test Frequency (Hz)
CMI-CSSP7045NF-1R0M	1.0	20%	17(13.5)	9.10(9.30)	8.20(8.60)	100k
CMI-CSSP7045NF-1R2M	1.2	20%	18(15)	7.90(8.20)	7.20(7.50)	100k
CMI-CSSP7045NF-1R8M	1.8	20%	19.2(16)	6.80(7.10)	6.20(6.60)	100k
CMI-CSSP7045NF-2R2M	2.2	20%	24(20)	6.70(6.90)	5.80(6.00)	100k
CMI-CSSP7045NF-2R7M	2.7	20%	25(21)	5.10(5.30)	5.70(5.90)	100k
CMI-CSSP7045NF-3R3M	3.3	20%	26.4(22)	5.00(5.20)	5.60(5.80)	100k
CMI-CSSP7045NF-4R7M	4.7	20%	38.4(32)	4.30(4.50)	4.10(4.50)	100k
CMI-CSSP7045NF-6R8M	6.8	20%	48(40)	4.00(4.20)	4.00(4.30)	100k
CMI-CSSP7045NF-8R2M	8.2	20%	53(44)	3.70(3.90)	3.90(4.20)	100k
CMI-CSSP7045NF-100M	10	20%	62(51)	2.90(3.10)	3.40(3.50)	100k
CMI-CSSP7045NF-150M	15	20%	78(65)	2.60(2.80)	2.90(3.30)	100k
CMI-CSSP7045NF-220M	22	20%	102(85)	2.10(2.20)	2.80(3.00)	100k
CMI-CSSP7045NF-330M	33	20%	160(133)	1.75(1.85)	1.90(2.10)	100k
CMI-CSSP7045NF-470M	47	20%	216(180)	1.55(1.65)	1.80(2.00)	100k
CMI-CSSP7045NF-680M	68	20%	262(218)	1.25(1.35)	1.70(1.90)	100k
CMI-CSSP7045NF-820M	82	20%	295(250)	1.15(1.25)	1.25(1.40)	100k
CMI-CSSP7045NF-101M	100	20%	336(280)	0.72(0.80)	1.20(1.30)	100k
CMI-CSSP7045NF-121M	120	20%	420(360)	0.70(0.75)	0.92(0.95)	100k

• You can also contact us by e-mail : coilmaster@coilmaster.com

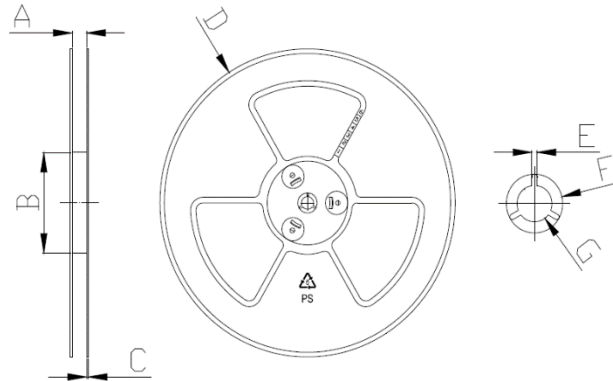
- All specifications are subject to change without notice.
- Update date : 2024.01.22

www.coilmaster.com

Packaging

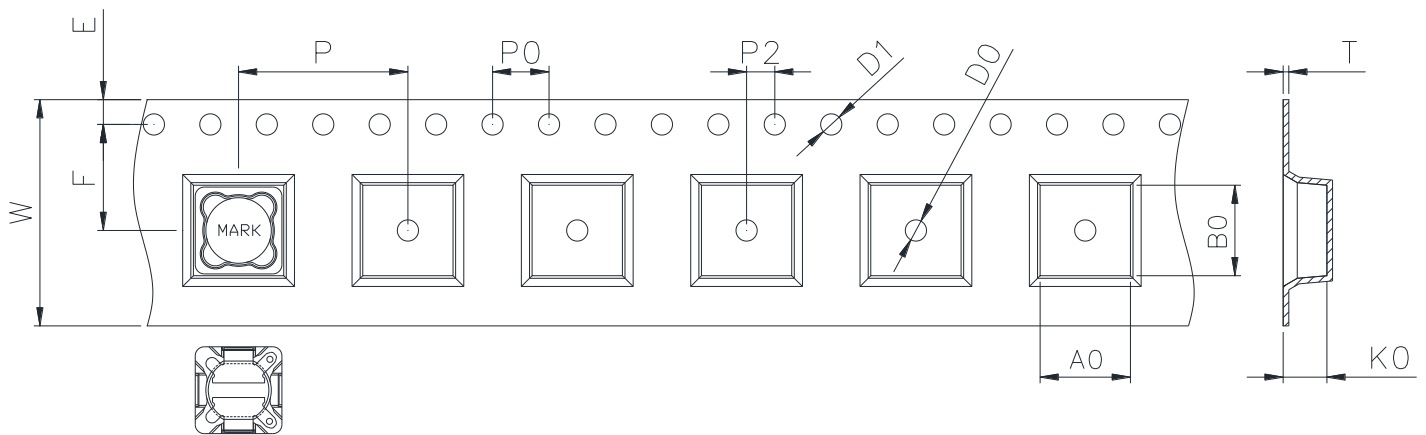
(1) Package quantity : 1,000 (pcs/reel)

(2) Reel Dimensions (unit:mm)



A	B	C	D	E	F	G
16.50	100.0	2.00	330.0	2.30	21.50	13.00
+0.50	+1.00	+0.10	+3.00	+0.30	+0.30	+0.50
-0.50	-1.00	-0.10	-3.00	-0.30	-0.30	-0.20

(3) Tape Dimensions



W	A0	B0	K0	E	F	P	P0	P2	D0/D1	T
16.00	7.40	7.40	4.90	1.75	7.50	12.00	4.00	2.00	1.50	0.40
+0.30	+0.10	+0.10	+0.10	+0.10	+0.10	+0.10	+0.10	+0.10	+0.10	+0.05
-0.10	-0.10	-0.10	-0.10	-0.10	-0.10	-0.10	-0.10	-0.10	-0.00	-0.05

Korea Sales Office (KOREA)

+82)31-904-1444

H.K Sales Office (HONGKONG)

+852)2711-5551

China Sales Office (CHINA)

+86)0758-683-1444

LA Sales Office (USA)

+1)714-616-6989

Hungary Sales office (EUROPE)

+36)1-404-5832

• You can also contact us by e-mail : coilmaster@coilmaster.com

• All specifications are subject to change without notice.

• Update date : 2024.01.22

www.coilmaster.com