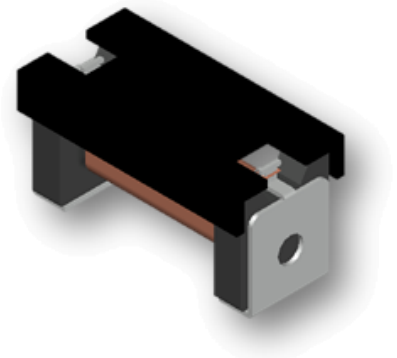




# CMI-CTPC3225-SERIES

## Features

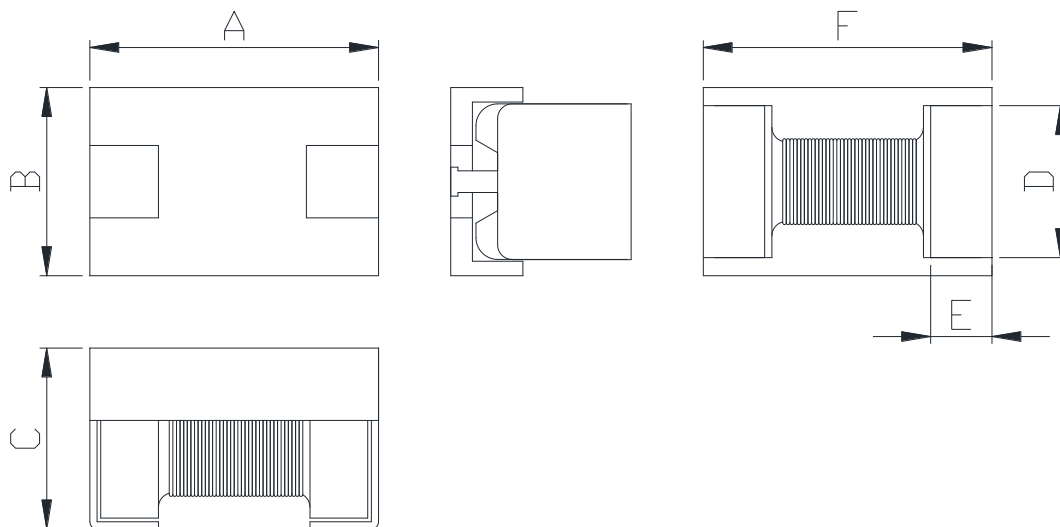
- ▶ High Sensitivity in X/Y orientation
- ▶ High Quality factor
- ▶ High reliability conforms to automotive applications
- ▶ AEC-Q200 qualified.
- ▶ RoHS-compatible



## Applications

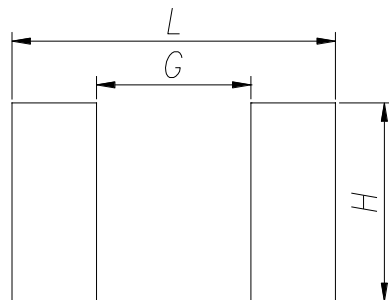
- ▶ Suitable as a Transponder Antenna Coil for TPMS (Tire Pressure Monitoring System) and Keyless Entry System

## Dimension (Unit:mm)



| A       | B       | C       | D       | E        | F       |
|---------|---------|---------|---------|----------|---------|
| 3.8±0.2 | 2.6±0.2 | 2.5±0.3 | 2.1±0.2 | 0.85±0.2 | 3.8±0.2 |

## Layout Diagram



| L   | G   | H   |
|-----|-----|-----|
| 4.4 | 2.1 | 2.7 |

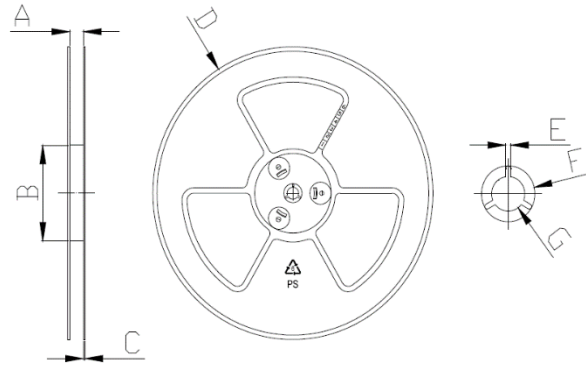
- You can also contact us by e-mail : [coilmaster@coilmaster.com](mailto:coilmaster@coilmaster.com)
- All specifications are subject to change without notice.
- Update date : 2021.10.15



## Packaging

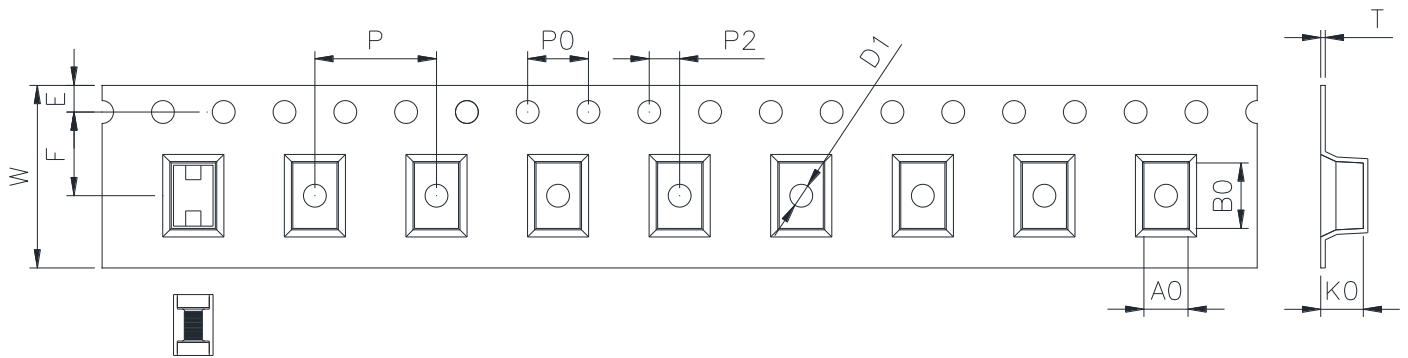
(1) Package quantity : 2,500 (pcs/reel)

(2) Reel Dimensions (unit:mm)



| A     | B      | C     | D     | E     | F     | G     |
|-------|--------|-------|-------|-------|-------|-------|
| 12.50 | 100.00 | 2.30  | 330.0 | 2.30  | 21.50 | 13.00 |
| +0.50 | +1.00  | +0.10 | +3.00 | +0.30 | +0.30 | +0.50 |
| -0.50 | -1.00  | -0.10 | -3.00 | -0.30 | -0.30 | -0.20 |

(3) Tape Dimensions



| W     | A0    | B0    | K0    | E     | F     | P     | P0    | P2    | D0/D1 | T     |
|-------|-------|-------|-------|-------|-------|-------|-------|-------|-------|-------|
| 12.00 | 2.90  | 4.30  | 2.80  | 1.75  | 5.50  | 8.00  | 4.00  | 2.00  | 1.50  | 0.30  |
| +0.30 | +0.10 | +0.10 | +0.10 | +0.10 | +0.10 | +0.10 | +0.10 | +0.10 | +0.10 | +0.05 |
| -0.10 | -0.10 | -0.10 | -0.10 | -0.10 | -0.10 | -0.10 | -0.10 | -0.10 | -0.00 | -0.05 |

Ilisan Sales Office (KOREA) +82)31-904-1444  
 Shenzhen Sales Office (CHINA) +86)755-8663-6929  
 Hungary Sales office (EUROPE) +36)30-913-7706

H.K Sales Office (HONGKONG) +852)2711-5551  
 LA Sales Office (USA) +1)866-446-3586

• You can also contact us by e-mail : [coilmaster@coilmaster.com](mailto:coilmaster@coilmaster.com)

- All specifications are subject to change without notice.
- Update date : 2021.10.15

[www.coilmaster.com](http://www.coilmaster.com)