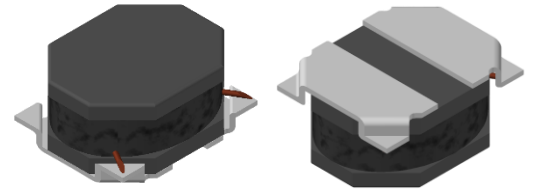


CMI-DOP201 608NH-SERIES

Features

- ▶ Small and Low profile inductor.
- ▶ It corresponds to High current.
- ▶ Simple and Shield structure.
- ▶ Available tape and reel for auto insertion.
- ▶ RoHS compliant / Halogen-Free
- ▶ Halogen-Free

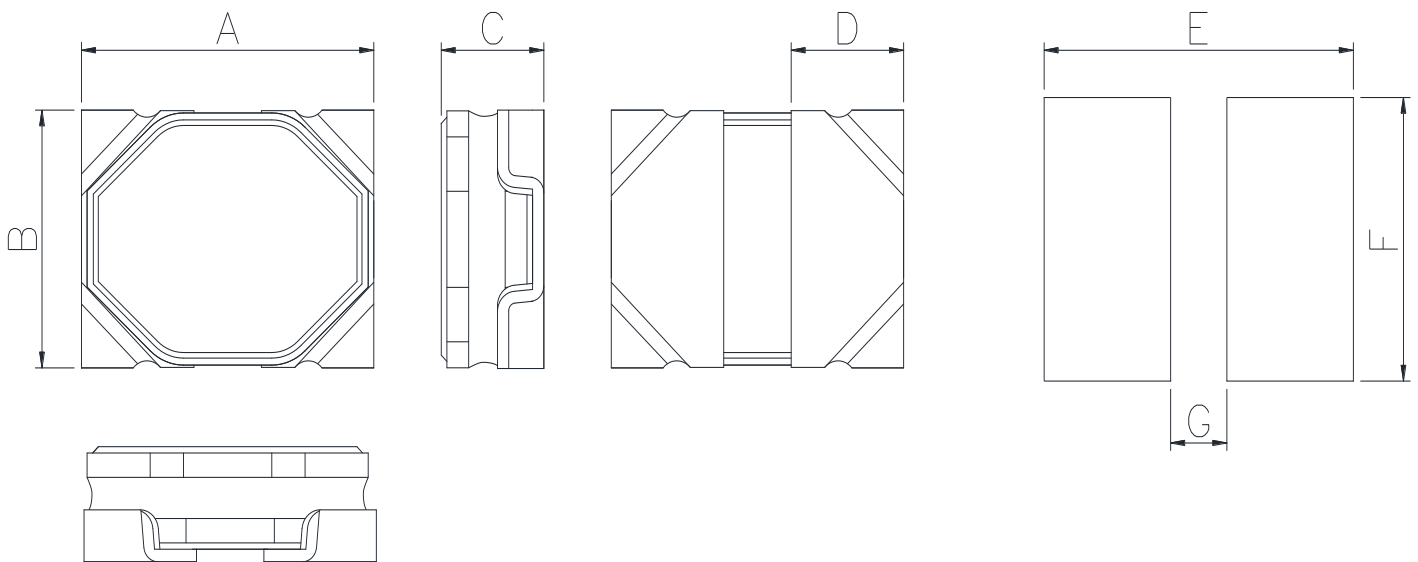


Applications

- ▶ For small DC/DC converter (cellular phone, LCD/LED/OLED display, HDD, DSC etc).

Dimension (Unit:mm)

Land Pattern (Unit:mm)



A	B	C	D	E	F	G
2.0 ±0.2	1.6 ±0.2	0.8 Max	0.8 ±0.2	2.2	1.8	0.4

- You can also contact us by e-mail : coilmaster@coilmaster.com
- All specifications are subject to change without notice.
- Update date : 2015.11.09

