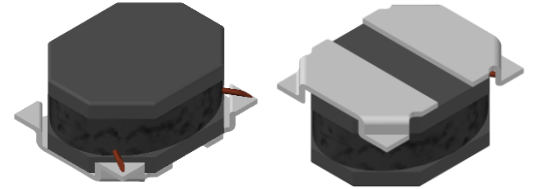


# CMI-DOP201610NH-SERIES

## Features

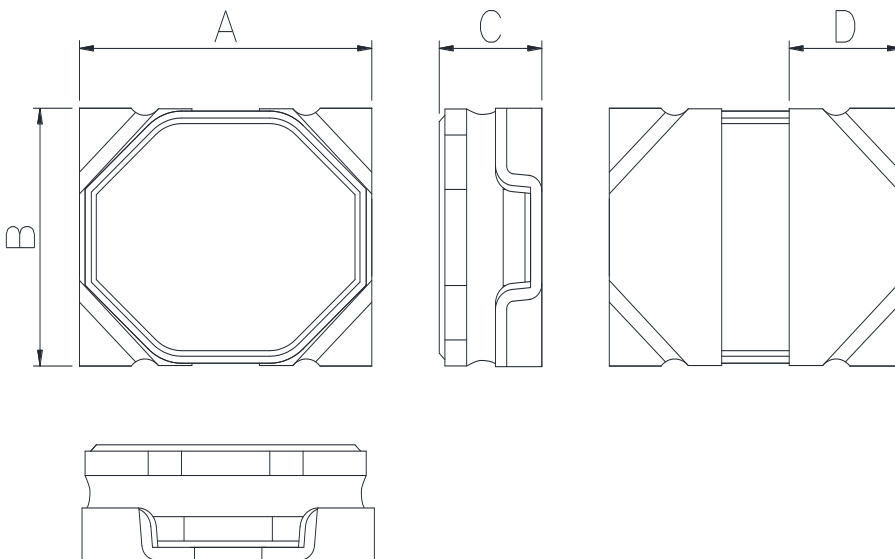
- ▶ Small and Low profile inductor.
- ▶ It corresponds to High current.
- ▶ Simple and Shield structure.
- ▶ Available tape and reel for auto insertion.
- ▶ RoHS compliant
- ▶ Halogen-Free



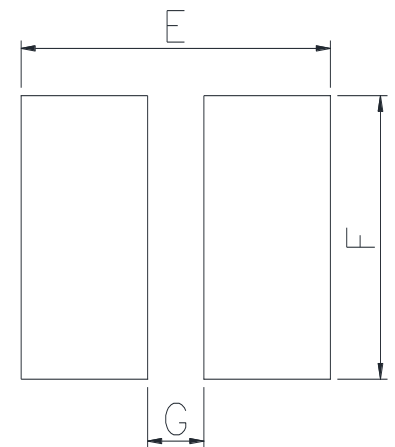
## Applications

- ▶ For small DC/DC converter (cellular phone, LCD/LED/OLED display, HDD, DSC etc).

## Dimension (Unit:mm)



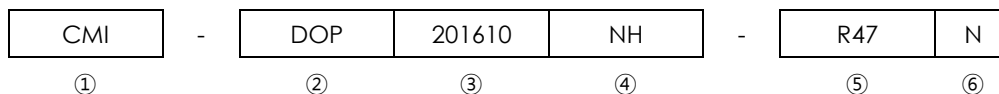
## Land Pattern (Unit:mm)



A	B	C	D	E	F	G
2.0 ±0.2	1.6 ±0.2	1.0 Max	0.8 ±0.2	2.2	1.8	0.4

- You can also contact us by e-mail : [coilmaster@coilmaster.com](mailto:coilmaster@coilmaster.com)
- All specifications are subject to change without notice.
- Update date : 2015.11.09

## Regulation of part number



- ① CoilMaster's initial
- ② Series Name : Dream Of Power inductor
- ③ Core Size (unit:mm)
- ④ Type
- ⑤ Typical inductance value (0.47uH)
- ⑥ Inductance tolerance (±30%)

## Specifications

Part Number	Inductance (uH)	Tolerance (±)	DCR (mohm) Max.(Typ.)	Isat(A) Max.(Typ.)	Itemp(A) Max.(Typ.)	Test Frequency (Hz)
CMI-DOP201610NH-R47N	0.47	30%	54(45)	3.00(3.10)	2.60(2.70)	1M
CMI-DOP201610NH-R68N	0.68	30%	96(80)	2.20(2.25)	2.00(2.10)	1M
CMI-DOP201610NH-1R0N	1.0	30%	120(100)	1.90(1.94)	1.80(1.90)	1M
CMI-DOP201610NH-2R2N	2.2	30%	228(190)	1.30(1.35)	1.20(1.3)	1M
CMI-DOP201610NH-3R3N	3.3	30%	348(290)	1.00(1.1)	1.00(1.05)	1M
CMI-DOP201610NH-4R7N	4.7	30%	540(450)	0.87(0.89)	0.74(0.76)	1M

- Isat: When based on the inductance change rate (approximately 30% below in the initial value)
- Itemp: When based on the temperature increase (Temperature increase of approximately 40°C by self heating)

Note 1 : Circuit design, component placement, PCB trace size and thickness, airflow and other cooling. Provision all affect the part Temperature. Part temperature should be verified in the end application

---

Korea Sales Office (KOREA)	+82)31-904-1444	H.K Sales Office (HONGKONG)	+852)2711-5551
China Sales Office (CHINA)	+86)0758-683-1444	LA Sales Office (USA)	+1)714-616-6989
Hungary Sales office (EUROPE)	+36)1-404-5832		

▪ You can also contact us by e-mail : [coilmaster@coilmaster.com](mailto:coilmaster@coilmaster.com)

- All specifications are subject to change without notice.
- Update date : 2015.11.09