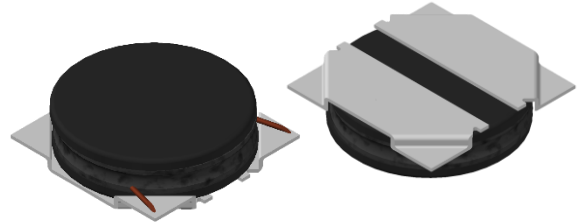


# CMI-DOP3015NH-SERIES

## Features

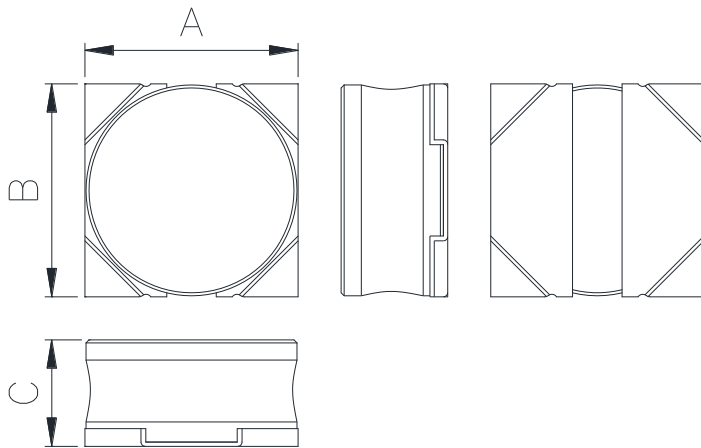
- ▶ Small and Low profile inductor.
- ▶ It corresponds to High current.
- ▶ Simple and Shield structure.
- ▶ Available tape and reel for auto insertion.
- ▶ RoHS compliant
- ▶ Halogen-Free



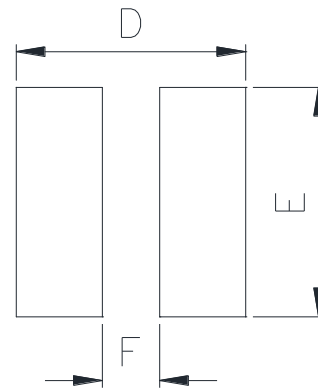
## Applications

- ▶ For small DC/DC converter (cellular phone, LCD/LED/OLED display, HDD, DSC etc).

## Dimension (Unit:mm)



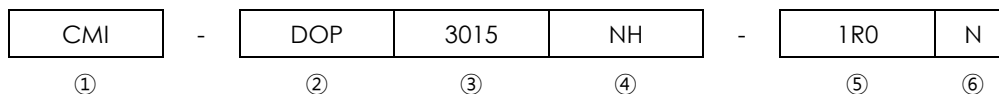
## Land Pattern (Unit:mm)



A	B	C	D	E	F
3.0 ±0.2	3.0 ±0.2	1.5 Max.	3.2	3.2	0.8

- You can also contact us by e-mail : [coilmaster@coilmaster.com](mailto:coilmaster@coilmaster.com)
- All specifications are subject to change without notice.
- Update date : 2015.11.09

## Regulation of part number



- ① CoilMaster's initial
- ② Series Name : Dream Of Power inductor
- ③ Core Size (unit:mm)
- ④ Type
- ⑤ Typical inductance value (1.0uH)
- ⑥ Inductance tolerance (±30%)

## Specifications

Part Number	Inductance (uH)	Tolerance (±)	DCR (mohm) ±20%	Isat(A) Max.	Itemp(A) Max.	Test Frequency (Hz)
CMI-DOP3015NH-1R0N	1.0	30%	38	2.70	2.70	1M
CMI-DOP3015NH-2R2N	2.2	30%	65	1.90	1.90	1M
CMI-DOP3015NH-4R7N	4.7	30%	120	1.40	1.40	1M
CMI-DOP3015NH-6R8N	6.8	30%	180	1.10	1.00	1M
CMI-DOP3015NH-100M	10	20%	295	0.96	0.85	1M

- Isat: When based on the inductance change rate (approximately 30% below in the initial value)
- Itemp: When based on the temperature increase (Temperature increase of approximately 40°C by self heating)

Note 1 : Circuit design, component placement, PCB trace size and thickness, airflow and other cooling. Provision all affect the part Temperature. Part temperature should be verified in the end application

---

Korea Sales Office (KOREA)	+82)31-904-1444	H.K Sales Office (HONGKONG)	+852)2711-5551
China Sales Office (CHINA)	+86)0758-683-1444	LA Sales Office (USA)	+1)714-616-6989
Hungary Sales office (EUROPE)	+36)1-404-5832		

▪ You can also contact us by e-mail : [coilmaster@coilmaster.com](mailto:coilmaster@coilmaster.com)

- All specifications are subject to change without notice.
- Update date : 2015.11.09