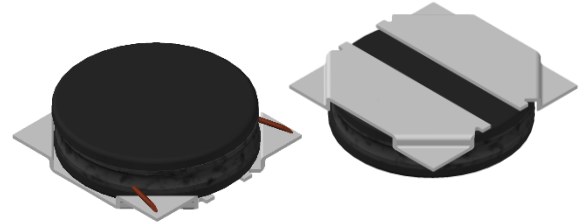


CMI-DOP6028NH-SERIES

Features

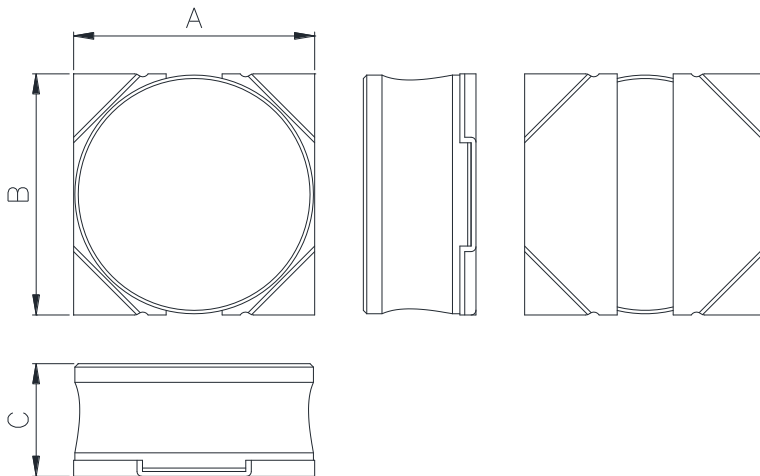
- ▶ It corresponds to High current.
- ▶ Simple and Shield structure.
- ▶ Available tape and reel for auto insertion.
- ▶ RoHS compliant
- ▶ Halogen-Free



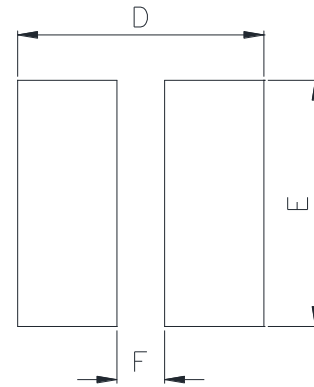
Applications

- ▶ For small DC/DC converter (cellular phone, LCD/LED/OLED display, HDD, DSC etc).

Dimension (Unit:mm)



Land Pattern (Unit:mm)



A	B	C	D	E	F
6.0 ±0.2	6.0 ±0.2	2.8 Max.	6.2	6.2	1.2

