

# CMI-DP4030NH-SERIES



## Features

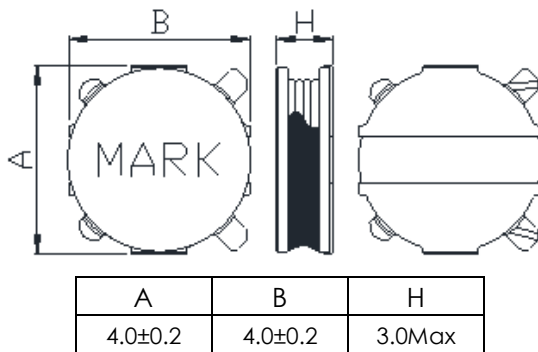
- ▶ SMD inductor.
- ▶ Resin shielded construction.
- ▶ Available tape and reel for auto insertion.
- ▶ RoHS compliant
- ▶ Halogen-Free

## Applications

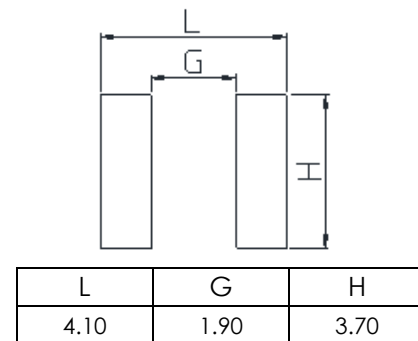
- ▶ For small DC/DC converter (LCD/LED/OLED display, HDD, DSC etc).
- ▶ For Power supply circuits.



Dimension (Unit:mm)



Land Pattern (Unit:mm)



## Specifications

Part Number	Inductance (uH)	Tolerance (±)	DCR (mohm) ±20%	Isat(A) Max	Itemp(A) Max	Test Frequency (Hz)
CMI-DP4030NH-1R0M	1.0	20%	14	5.30	4.20	100k
CMI-DP4030NH-2R2M	2.2	20%	30	4.90	3.00	100k
CMI-DP4030NH-4R7M	4.7	20%	60	2.90	2.10	100k
CMI-DP4030NH-6R8M	6.8	20%	90	2.75	1.70	100k
CMI-DP4030NH-100M	10	20%	100	1.95	1.50	100k
CMI-DP4030NH-220M	22	20%	225	1.30	1.00	100k
CMI-DP4030NH-470M	47	20%	450	0.95	0.75	100k
CMI-DP4030NH-680M	68	20%	860	0.72	0.55	100k
CMI-DP4030NH-101M	100	20%	1150	0.60	0.45	100k
CMI-DP4030NH-221M	220	20%	2500	0.40	0.35	100k

- Isat: When based on the inductance change rate (approximately 20% below in the initial value)
- Itemp: When based on the temperature increase (Temperature increase of approximately 40°C by self heating)
- Operating temperature range : -40°C ~ +125°C ( Including self-heating)

Ilisan Sales Office (KOREA) +82)31-904-1444  
 Shenzhen Sales Office (CHINA) +86)755-8663-6929  
 Hungary Sales office (EUROPE) +36)30-913-7706

H.K Sales Office (HONGKONG) +852)2711-5551  
 LA Sales Office (USA) +1)866-446-3586

▪ You can also contact us by e-mail : [coilmaster@coilmaster.com](mailto:coilmaster@coilmaster.com)

- All specifications are subject to change without notice.
- Update date : 2015.11.19

[www.coilmaster.com](http://www.coilmaster.com)