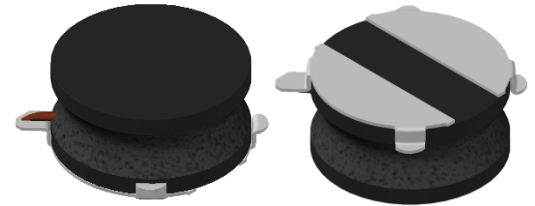


CMI-DP8040NH-SERIES

Features

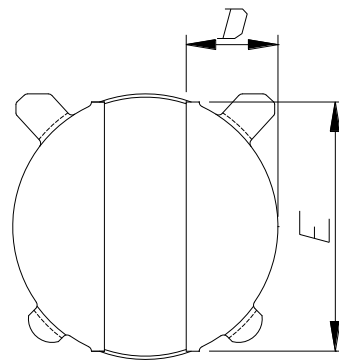
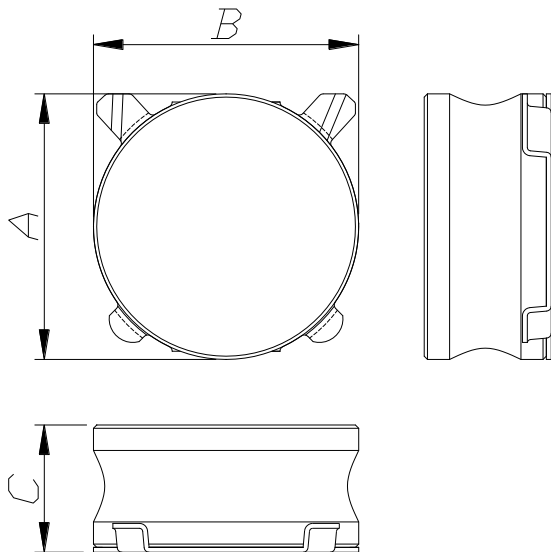
- ▶ SMD inductor.
- ▶ Resin shielded construction.
- ▶ Available tape and reel for auto insertion.
- ▶ RoHS compliant
- ▶ Halogen-Free



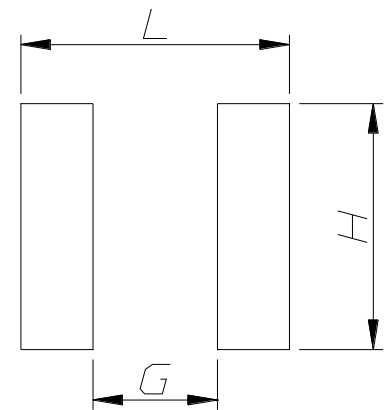
Applications

- ▶ For small DC/DC converter (LCD/LED/OLED display, HDD, DSC etc).
- ▶ For Power supply circuits.

Dimension (Unit:mm)

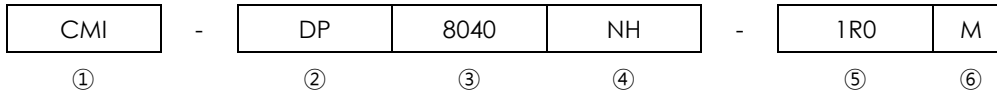


Land Pattern (Unit:mm)



A	B	C	D	E	G	H	L
8.0 ±0.2	8.0 ±0.2	4.0 Max.	2.8 ±0.2	7.6 ±0.2	3.8	7.5	8.2

Regulation of part number



- ① CoilMaster's initial
- ② Series Name : Drum core Pin type Power inductor
- ③ Core Size (unit:mm)
- ④ Type
- ⑤ Typical inductance value (1.0uH)
- ⑥ Inductance tolerance ($\pm 20\%$)

Specifications

Part Number	Inductance (uH)	Tolerance (\pm)	DCR (mohm) Max.(Typ.)	Isat(A) Max.	Itemp(A) Max.	Test Frequency (Hz)
CMI-DP8040NH-1R0M	1.0	20%	9.6(8.0)	10.0	8.20	100k
CMI-DP8040NH-2R2M	2.2	20%	14.4(12)	7.50	6.80	100k
CMI-DP8040NH-4R7M	4.7	20%	22.8(19)	6.00	6.20	100k
CMI-DP8040NH-6R8M	6.8	20%	31.2(26)	5.10	5.50	100k
CMI-DP8040NH-100M	10	20%	34.8(29)	3.60	3.50	100k
CMI-DP8040NH-150M	15	20%	56.4(47)	3.10	3.20	100k
CMI-DP8040NH-220M	22	20%	79.2(66)	2.40	2.20	100k
CMI-DP8040NH-470M	47	20%	163.2(136)	2.00	1.70	100k
CMI-DP8040NH-680M	68	20%	235.2(196)	1.50	1.30	100k
CMI-DP8040NH-271M	270	20%	900(750)	0.75	0.75	100k

- Isat: When based on the inductance change rate (approximately 20% below in the initial value)
- Itemp: When based on the temperature increase (Temperature increase of approximately 40°C by self heating)
- Operating Temperature Range(including self temperature) : -40°C ~ +125 °C

Note 1 : Circuit design, component placement, PCB trace size and thickness, airflow and other cooling. Provision all affect the part Temperature. Part temperature should be verified in the end application.

▪ You can also contact us by e-mail : coilmaster@coilmaster.com

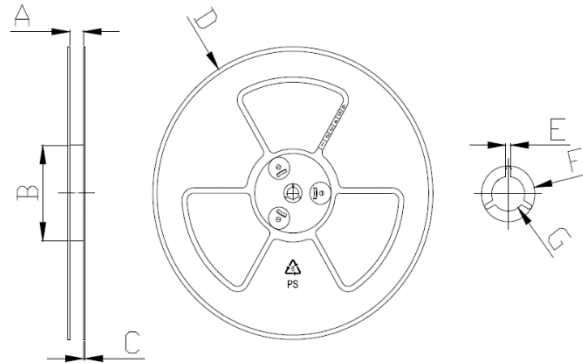
- All specifications are subject to change without notice.
- Update date : 2015.11.19

www.coilmaster.com

Packaging

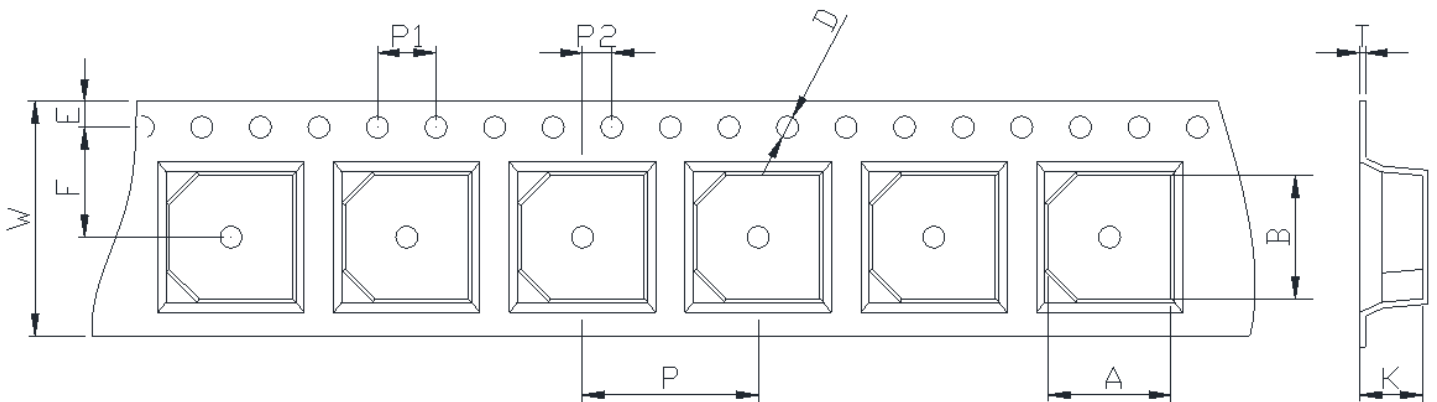
(1) Package quantity : 1,000 (pcs/reel)

(2) Reel Dimensions (unit:mm)



A	B	C	D	E	F	G
16.50	100.0	2.30	330.0	2.30	10.75	13.00
+0.50	+1.00	+0.30	+3.00	+0.20	+0.30	+0.50
-0.50	-1.00	-0.30	-3.00	-0.20	-0.30	-0.20

(3) Tape Dimensions



W	A	B	K	E	F	P	P1	P2	D	T
16.00	8.40	8.40	4.30	1.75	7.50	12.00	4.00	2.00	1.50	0.40
+0.30	+0.10	+0.10	+0.10	+0.10	+0.10	+0.10	+0.10	+0.10	+0.10	+0.05
-0.10	-0.10	-0.10	-0.10	-0.10	-0.10	-0.10	-0.10	-0.10	-0.00	-0.05

Korea Sales Office (KOREA) +82)31-904-1444

H.K Sales Office (HONGKONG) +852)2711-5551

China Sales Office (CHINA) +86)0758-683-1444

LA Sales Office (USA) +1)714-616-6989

Hungary Sales office (EUROPE) +36)1-404-5832

• You can also contact us by e-mail : coilmaster@coilmaster.com

• All specifications are subject to change without notice.

• Update date : 2015.11.19

www.coilmaster.com