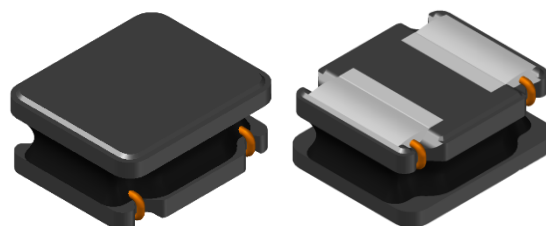


# CMI-DSS201610NH-SERIES

## Features

- ▶ Small and Low profile inductor.
- ▶ It corresponds to High current.
- ▶ Simple and Shield structure.
- ▶ Takes up less PCB real estate and save more power.
- ▶ Available tape and reel for auto insertion.
- ▶ Available in RoHs compliant.
- ▶ Halogen-Free.

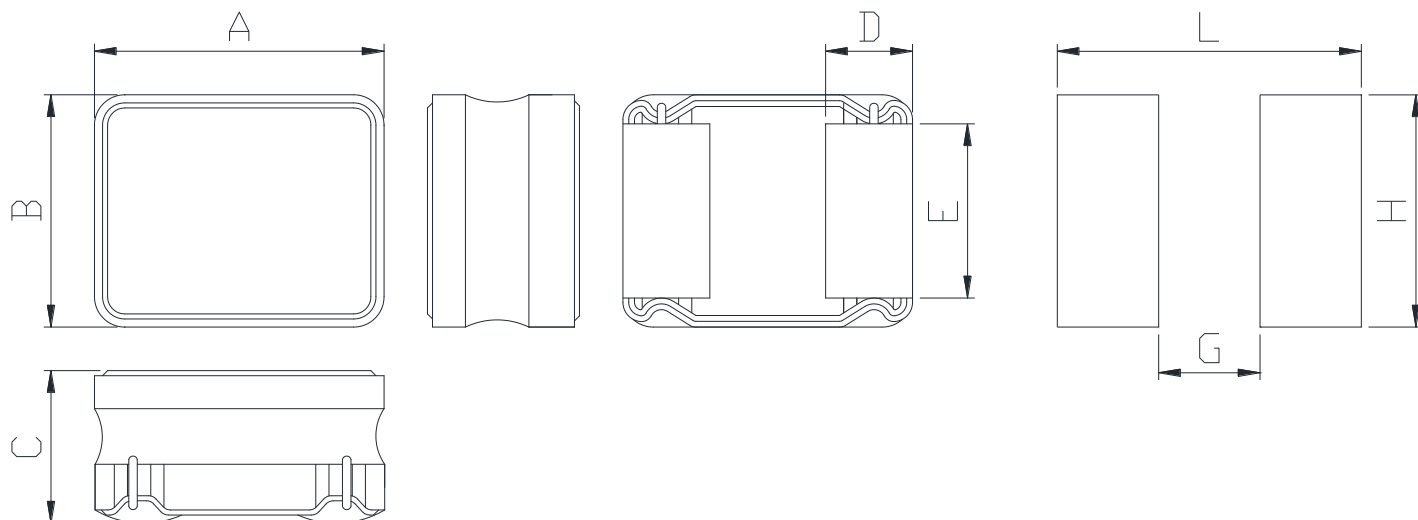


## Applications

- ▶ For small DC/DC converter (cellular Phone, LCD/LED/OLED display etc).

## Dimension (Unit:mm)

## Land Pattern (Unit:mm)

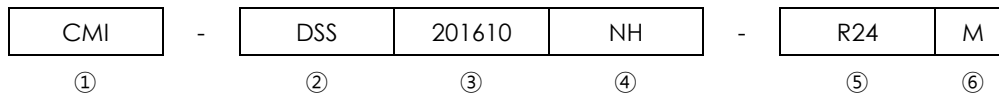


A	B	C	D	E	G	H	L
2.0 ±0.2	1.6 ±0.2	1.05 Max.	0.6 ±0.2	1.2 ±0.2	0.7	1.6	2.1

• You can also contact us by e-mail : [coilmaster@coilmaster.com](mailto:coilmaster@coilmaster.com)

- All specifications are subject to change without notice
- Update date : 2021.01.21

## Regulation of part number



- ① CoilMaster's initial
- ② Series Name : Drum core Square shape Silver paste power inductor
- ③ Core Size (unit:mm)
- ④ Type
- ⑤ Typical inductance value (0.24uH)
- ⑥ Inductance tolerance ( $\pm 20\%$ )

## Specifications

Part Number	Inductance ( $\mu\text{H}$ ) $\pm 20\%$	DCR(m $\Omega$ ) Max.(Typ.)	Isat(A) Max.(Typ.)	Itemp(A) Max.(Typ.)	Test Frequency (Hz)
CMI-DSS201610NH-R24M	0.24	40(33)	3.70(4.10)	2.80(3.10)	1M
CMI-DSS201610NH-R33M	0.33	48(41)	3.00(3.70)	2.40(2.90)	1M
CMI-DSS201610NH-R47M	0.47	60(50)	2.30(2.85)	2.30(2.60)	1M
CMI-DSS201610NH-R56M	0.56	68(53)	2.20(2.80)	2.20(2.20)	1M
CMI-DSS201610NH-R68M	0.68	76(63)	1.95(2.45)	2.00(2.20)	1M
CMI-DSS201610NH-1R0M	1.0	114(96)	1.65(1.85)	1.45(1.60)	1M
CMI-DSS201610NH-1R5M	1.5	174(145)	1.35(1.65)	1.10(1.20)	1M
CMI-DSS201610NH-2R2M	2.2	265(215)	1.20(1.45)	1.05(1.15)	1M
CMI-DSS201610NH-3R3M	3.3	345(290)	1.00(1.20)	0.85(0.95)	1M
CMI-DSS201610NH-4R7M	4.7	480(400)	0.75(0.90)	0.70(0.80)	1M
CMI-DSS201610NH-5R6M	5.6	672(560)	0.73(0.88)	0.60(0.70)	1M
CMI-DSS201610NH-6R8M	6.8	800(610)	0.70(0.85)	0.55(0.60)	1M
CMI-DSS201610NH-8R2M	8.2	940(730)	0.68(0.78)	0.53(0.60)	1M
CMI-DSS201610NH-100M	10	1000(800)	0.65(0.70)	0.50(0.55)	1M
CMI-DSS201610NH-120M	12	1430(1100)	0.62(0.70)	0.36(0.42)	1M
CMI-DSS201610NH-150M	15	1700(1300)	0.50(0.56)	0.30(0.38)	1M
CMI-DSS201610NH-220M	22	1700(1400)	0.32(0.38)	0.30(0.36)	1M

- Isat: When based on the inductance change rate (Approximately 30% below in the initial value)
- Itemp: When based on the temperature increase (Temperature increase of approximately 40°C by self heating)
- Operating Temperature Range (including self temperature) : -40°C ~ +125 °c

Note 1 : Circuit design, component placement, PCB trace size and thickness, airflow and other cooling. Provision all affect the part Temperature. Part temperature should be verified in the end application.

▪ **You can also contact us by e-mail : [coilmaster@coilmaster.com](mailto:coilmaster@coilmaster.com)**

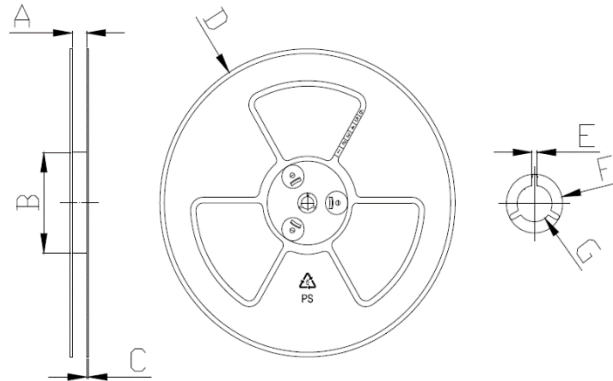
- All specifications are subject to change without notice
- Update date : 2021.01.21

[www.coilmaster.com](http://www.coilmaster.com)

## Packaging

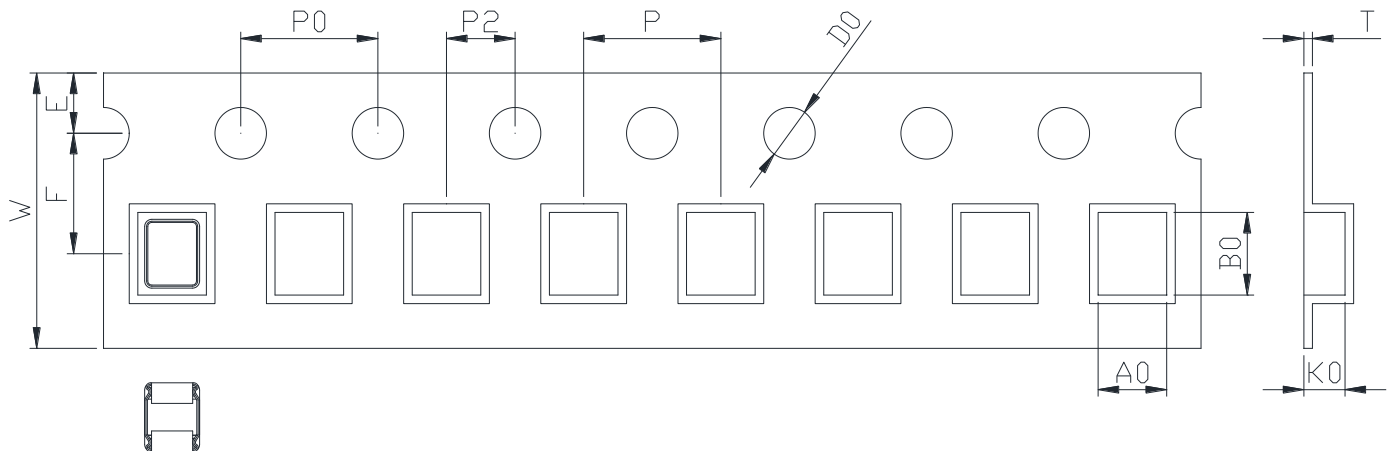
(1) Package quantity : 2,000 (pcs/reel)

(2) Reel Dimensions (unit:mm)



A	B	C	D	E	F	G
9.00	60.0	0.90	178.0	2.30	20.70	13.00
+0.50	+1.00	+0.10	+1.00	+0.30	+0.80	+0.40
-0.50	-1.00	-0.10	-1.00	-0.30	-0.80	-0.40

(3) Tape Dimensions



W	A0	B0	K0	E	F	P	P0	P2	D0	T
8.00	2.00	2.40	1.20	1.75	3.50	4.00	4.00	2.00	1.50	0.25
+0.30	+0.10	+0.10	+0.10	+0.10	+0.10	+0.10	+0.10	+0.10	+0.10	+0.05
-0.30	-0.10	-0.10	-0.10	-0.10	-0.10	-0.10	-0.10	-0.10	-0.10	-0.05

Korea Sales Office (KOREA) +82)31-904-1444  
 China Sales Office (CHINA) +86)0758-683-1444  
 Hungary Sales office (EUROPE) +36)1-404-5832

H.K Sales Office (HONGKONG) +852)2711-5551  
 LA Sales Office (USA) +1)714-616-6989

• You can also contact us by e-mail : [coilmaster@coilmaster.com](mailto:coilmaster@coilmaster.com)

- All specifications are subject to change without notice
- Update date : 2021.01.21

[www.coilmaster.com](http://www.coilmaster.com)