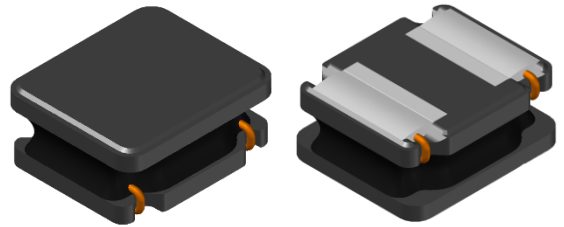


# CMI-DSS252010NH-SERIES

## Features

- ▶ Small and Low profile inductor
- ▶ It corresponds to High current.
- ▶ Simple and Shield structure.
- ▶ Takes up less PCB real estate and save more power.
- ▶ Available tape and reel for auto insertion.
- ▶ Available in RoHs compliant.
- ▶ Halogen-Free.

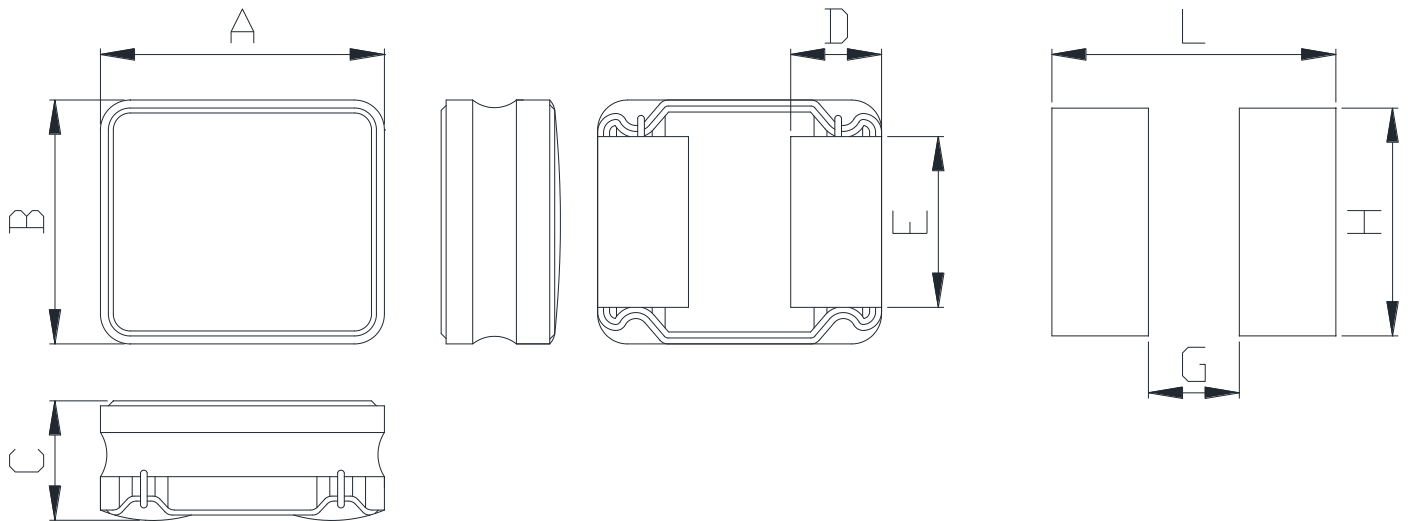


## Applications

- ▶ For small DC/DC converter (cellular Phone, LCD/LED/OLED display etc).

## Dimension (Unit:mm)

## Land Pattern (Unit:mm)



A	B	C	D	E	G	H	L
2.5 ±0.2	2.0 ±0.2	1.05 Max.	0.8 ±0.2	1.5 ±0.2	0.8	2.0	2.0

• You can also contact us by e-mail : [coilmaster@coilmaster.com](mailto:coilmaster@coilmaster.com)

- All specifications are subject to change without notice
- Update date : 2017.01.09

## Regulation of part number

CMI	-	DSS	252010	NH	-	R22	M
①		②	③	④		⑤	⑥

- ① CoilMaster's initial
- ② Series Name : Drum core Square shape Silver paste power inductor
- ③ Core Size (unit:mm)
- ④ Type
- ⑤ Typical inductance value (0.22uH)
- ⑥ Inductance tolerance ( $\pm 20\%$ )

## Specifications

Part Number	Inductance ( $\mu\text{H}$ ) $\pm 20\%$	DCR(m $\Omega$ ) Max.(Typ.)	Isat(A) Max.(Typ.)	Itemp(A) Max.(Typ.)	Test Frequency (Hz)
CMI-DSS252010NH-R22M	0.22	34(26)	3.60(4.40)	2.75(3.00)	1M
CMI-DSS252010NH-R24M	0.24	34(26)	3.60(4.40)	2.75(3.00)	1M
CMI-DSS252010NH-R33M	0.33	43(32)	3.60(4.30)	2.45(2.70)	1M
CMI-DSS252010NH-R47M	0.47	44(33)	2.80(3.20)	2.40(2.60)	1M
CMI-DSS252010NH-R68M	0.68	62(51)	2.75(3.10)	2.10(2.35)	1M
CMI-DSS252010NH-1R0M	1.0	80(66)	2.05(2.50)	1.85(2.05)	1M
CMI-DSS252010NH-1R5M	1.5	108(85)	1.70(2.05)	1.55(1.70)	1M
CMI-DSS252010NH-2R2M	2.2	150(130)	1.50(1.75)	1.35(1.50)	1M
CMI-DSS252010NH-3R3M	3.3	228(170)	1.10(1.35)	1.05(1.20)	1M
CMI-DSS252010NH-4R7M	4.7	330(280)	1.00(1.15)	0.90(1.00)	1M
CMI-DSS252010NH-5R6M	5.6	470(370)	0.90(1.05)	0.80(0.90)	1M
CMI-DSS252010NH-6R8M	6.8	480(400)	0.80(0.95)	0.72(0.80)	1M
CMI-DSS252010NH-8R2M	8.2	572(463)	0.73(0.85)	0.69(0.78)	1M
CMI-DSS252010NH-100M	10	600(500)	0.65(0.75)	0.67(0.74)	1M
CMI-DSS252010NH-120M	12	850(700)	0.58(0.62)	0.58(0.62)	1M
CMI-DSS252010NH-150M	15	1050(820)	0.50(0.60)	0.45(0.50)	1M
CMI-DSS252010NH-220M	22	1710(1320)	0.40(0.50)	0.40(0.36)	1M

- Isat: When based on the inductance change rate (Approximately 30% below in the initial value)
- Itemp: When based on the temperature increase (Temperature increase of approximately 40°C by self heating)
- Operating Temperature Range (including self temperature) : -40°C ~ +125 °c

Note 1 : Circuit design, component placement, PCB trace size and thickness, airflow and other cooling. Provision all affect the part Temperature. Part temperature should be verified in the end application.

• You can also contact us by e-mail : [coilmaster@coilmaster.com](mailto:coilmaster@coilmaster.com)

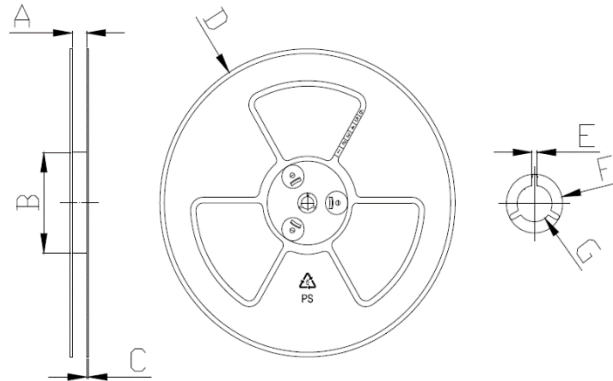
- All specifications are subject to change without notice
- Update date : 2017.01.09

[www.coilmaster.com](http://www.coilmaster.com)

## Packaging

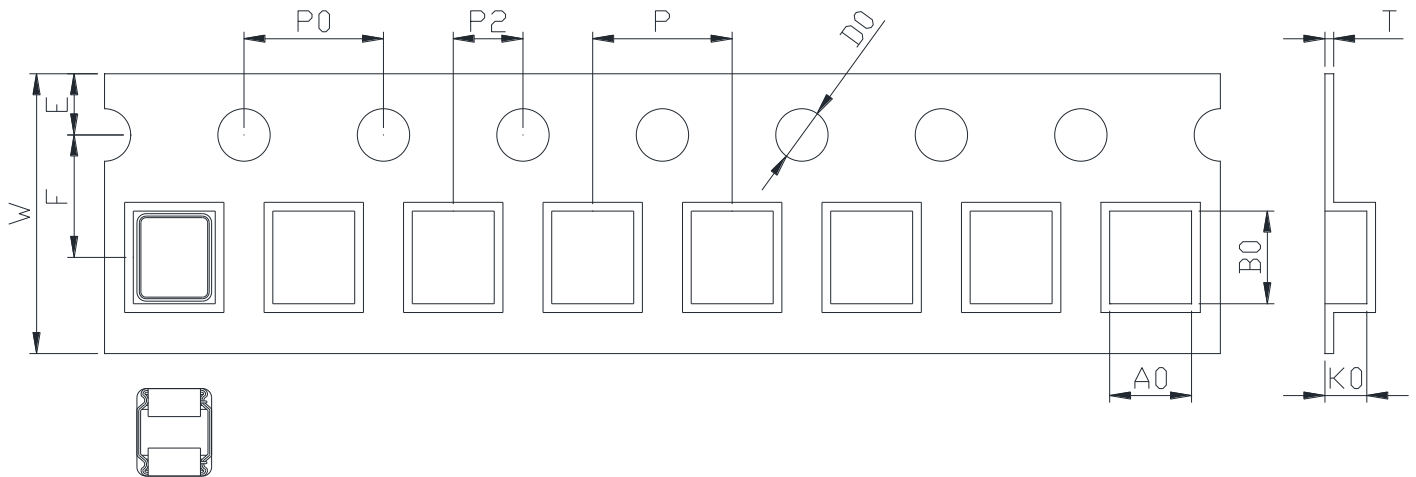
(1) Package quantity : 2,000 (pcs/reel)

(2) Reel Dimensions (unit:mm)



A	B	C	D	E	F	G
9.00	60.0	0.90	178.0	2.30	20.70	13.00
+0.50	+1.00	+0.10	+1.00	+0.30	+0.80	+0.40
-0.50	-1.00	-0.10	-1.00	-0.30	-0.80	-0.40

(3) Tape Dimensions



W	A0	B0	K0	E	F	P	P0	P2	D0	T
8.00	2.35	2.65	1.20	1.75	3.50	4.00	4.00	2.00	1.50	0.25
+0.30	+0.10	+0.10	+0.10	+0.10	+0.10	+0.10	+0.10	+0.10	+0.10	+0.05
-0.30	-0.10	-0.10	-0.10	-0.10	-0.10	-0.10	-0.10	-0.10	-0.10	-0.05

Korea Sales Office (KOREA) +82)31-904-1444  
 China Sales Office (CHINA) +86)0758-683-1444  
 Hungary Sales office (EUROPE) +36)1-404-5832

H.K Sales Office (HONGKONG) +852)2711-5551  
 LA Sales Office (USA) +1)714-616-6989

• You can also contact us by e-mail : [coilmaster@coilmaster.com](mailto:coilmaster@coilmaster.com)

- All specifications are subject to change without notice
- Update date : 2017.01.09

[www.coilmaster.com](http://www.coilmaster.com)