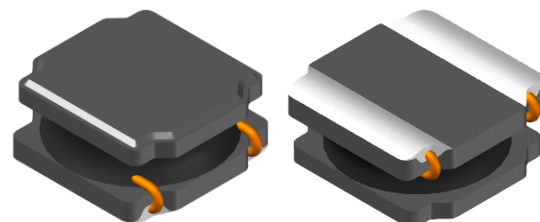


# CMI-DSS4018NH-SERIES

## Features

- ▶ Small and Low profile inductor.
- ▶ It corresponds to High current.
- ▶ Simple and Shield structure.
- ▶ Takes up less PCB real estate and save more power.
- ▶ Available tape and reel for auto insertion.
- ▶ RoHs compliant.
- ▶ Halogen-Free.

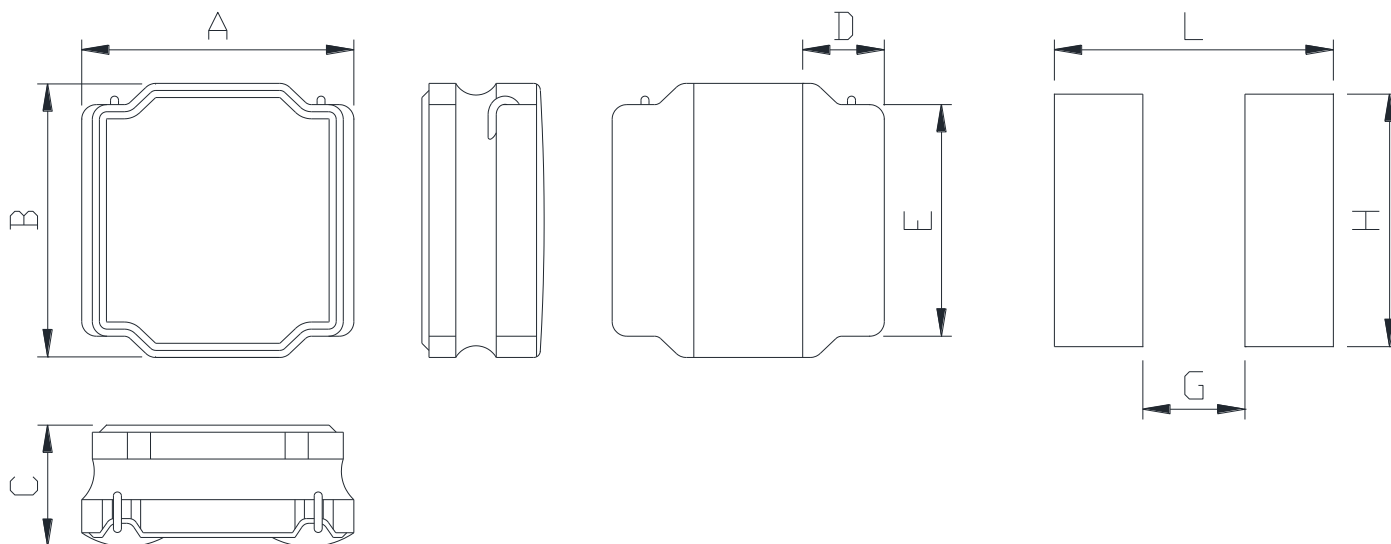


## Applications

- ▶ For small DC/DC converter (cellular Phone, LCD/LED/OLED display etc).

## Dimension (Unit:mm)

## Land Pattern (Unit:mm)

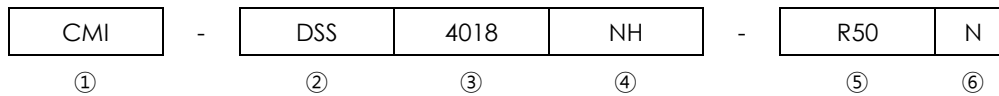


A	B	C	D	E	G	H	L
4.0 ±0.2	4.0 ±0.2	1.8 Max.	1.0 ±0.3	3.3 ±0.3	1.5	3.7	4.1

• You can also contact us by e-mail : [coilmaster@coilmaster.com](mailto:coilmaster@coilmaster.com)

- All specifications are subject to change without notice
- Update date : 2021.02.19

## Regulation of part number



- ① CoilMaster's initial
- ② Series Name : Drum core Square shape Silver paste power inductor
- ③ Core Size (unit:mm)
- ④ Type
- ⑤ Typical inductance value (0.5uH)
- ⑥ Inductance tolerance (±30%)

## Specifications

Part Number	Inductance ( $\mu$ H)	Tolerance ( $\pm$ )	DCR(m $\Omega$ ) Max.(Typ.)	Isat(A) Max.(Typ.)	Itemp(A) Max.(Typ.)	Test Frequency (Hz)
CMI-DSS4018NH-R50N	0.5	30%	25(21)	6.00(6.60)	4.50(4.90)	100k
CMI-DSS4018NH-1R0N	1.0	30%	30(25)	4.20(4.60)	2.00(2.20)	100k
CMI-DSS4018NH-1R5N	1.5	30%	36(30)	3.35(3.65)	1.80(1.95)	100k
CMI-DSS4018NH-2R2M	2.2	20%	54(45)	2.70(3.00)	1.65(1.80)	100k
CMI-DSS4018NH-3R3M	3.3	20%	84(70)	2.45(2.70)	1.23(1.35)	100k
CMI-DSS4018NH-4R7M	4.7	20%	108(90)	1.70(1.90)	1.60(1.80)	100k
CMI-DSS4018NH-6R8M	6.8	20%	132(110)	1.45(1.60)	1.06(1.16)	100k
CMI-DSS4018NH-100M	10	20%	216(180)	1.30(1.40)	0.84(0.92)	100k
CMI-DSS4018NH-150M	15	20%	300(250)	0.94(1.05)	0.65(0.72)	100k
CMI-DSS4018NH-220M	22	20%	432(360)	0.80(0.90)	0.59(0.65)	100k
CMI-DSS4018NH-330M	33	20%	636(530)	0.57(0.62)	0.49(0.54)	100k
CMI-DSS4018NH-470M	47	20%	780(650)	0.56(0.61)	0.42(0.46)	100k
CMI-DSS4018NH-680M	68	20%	1200(1000)	0.47(0.51)	0.32(0.35)	100k
CMI-DSS4018NH-101M	100	20%	2100(1750)	0.40(0.44)	0.25(2.70)	100k
CMI-DSS4018NH-151M	150	20%	3000(2500)	0.31(0.34)	0.22(0.24)	100k
CMI-DSS4018NH-221M	220	20%	4800(4000)	0.27(0.30)	0.17(0.20)	100k
CMI-DSS4018NH-331M	330	20%	7800(6500)	0.20(0.22)	0.14(0.15)	100k

- Isat: When based on the inductance change rate (Approximately 30% below in the initial value)
- Itemp: When based on the temperature increase (Temperature increase of approximately 40°C by self heating)
- Operating Temperature Range (including self temperature) : -40°C ~ +125 °c

Note 1 : Circuit design, component placement, PCB trace size and thickness, airflow and other cooling. Provision all affect the part Temperature. Part temperature should be verified in the end application.

▪ **You can also contact us by e-mail : [coilmaster@coilmaster.com](mailto:coilmaster@coilmaster.com)**

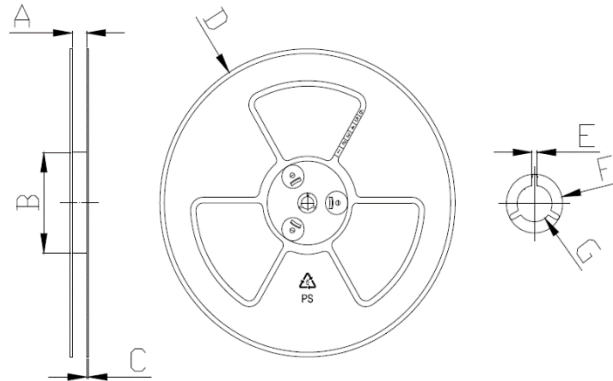
- All specifications are subject to change without notice
- Update date : 2021.02.19

[www.coilmaster.com](http://www.coilmaster.com)

## Packaging

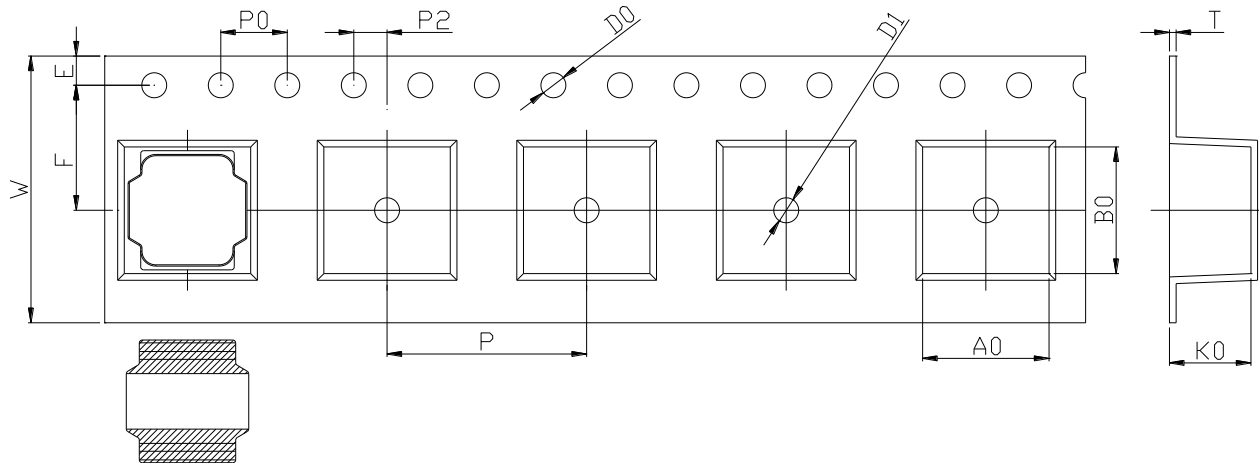
(1) Package quantity : 3,000 (pcs/reel)

(2) Reel Dimensions (unit:mm)



A	B	C	D	E	F	G
13.00	100.0	2.00	330.0	2.30	21.50	13.00
+0.30	+1.00	+0.10	+1.00	+0.30	+0.30	+0.50
-0.30	-1.00	-0.10	-1.00	-0.30	-0.30	-0.50

(3) Tape Dimensions



W	A0	B0	K0	E	F	P	P0	P2	D0	T
12.00	4.35	4.35	1.95	1.75	5.50	8.00	4.00	2.00	1.50	0.30
+0.30	+0.10	+0.10	+0.10	+0.10	+0.10	+0.10	+0.10	+0.10	+0.10	+0.05
-0.10	-0.10	-0.10	-0.10	-0.10	-0.10	-0.10	-0.10	-0.10	-0.10	-0.05

Korea Sales Office (KOREA) +82)31-904-1444  
 China Sales Office (CHINA) +86)0758-683-1444  
 Hungary Sales office (EUROPE) +36)1-404-5832

H.K Sales Office (HONGKONG) +852)2711-5551  
 LA Sales Office (USA) +1)714-616-6989

• You can also contact us by e-mail : [coilmaster@coilmaster.com](mailto:coilmaster@coilmaster.com)

- All specifications are subject to change without notice
- Update date : 2021.02.19

[www.coilmaster.com](http://www.coilmaster.com)