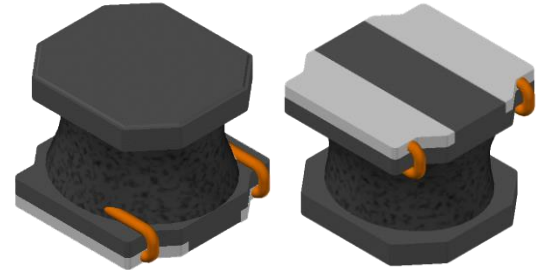


# CMI-DSS5040NH-SERIES

## Features

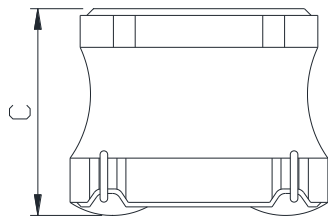
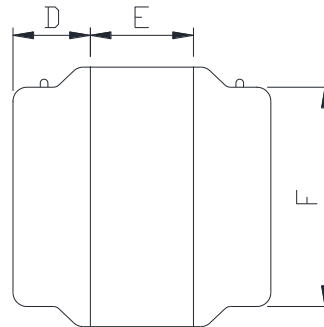
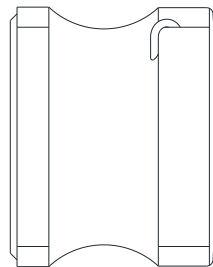
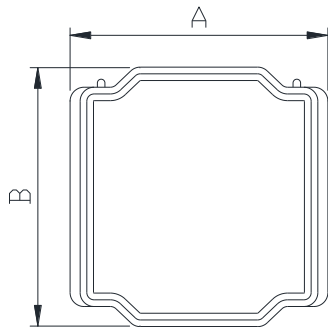
- ▶ It corresponds to High current.
- ▶ Simple and Shield structure.
- ▶ Takes up less PCB real estate and save more power.
- ▶ Available tape and reel for auto insertion.
- ▶ RoHs compliant.
- ▶ Halogen-Free.



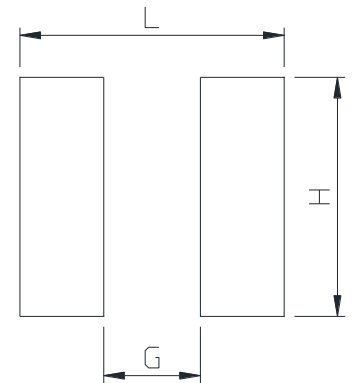
## Applications

- ▶ For small DC/DC converter (cellular Phone, LCD/LED/OLED display etc).

## Dimension (Unit:mm)

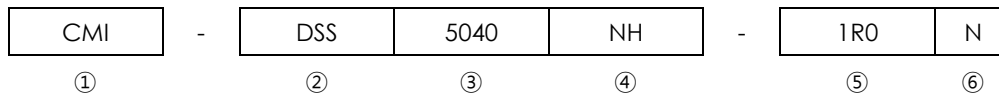


## Land Pattern (Unit:mm)



A	B	C	D	E	F	G	H	L
5.0 ±0.2	5.0 ±0.2	4.0 Max.	1.5 ±0.2	2.0 ±0.2	4.6 ±0.2	2.3	4.2	5.1

## Regulation of part number



- ① CoilMaster's initial
- ② Series Name : Drum core Square shape Silver paste type Power Inductor
- ③ Core Size (unit:mm)
- ④ Type
- ⑤ Typical inductance value (1.0uH)
- ⑥ Inductance tolerance (±30%)

## Specifications

Part Number	Inductance (μH)	Tolerance (±)	DCR(mΩ) ±30%	Isat(A) Max.	Itemp(A) Max.	Test Frequency (Hz)
CMI-DSS5040NH-1R0N	1.0	30%	12	7.35	4.90	100k
CMI-DSS5040NH-1R2N	1.2	30%	15	6.50	4.30	100k
CMI-DSS5040NH-1R5N	1.5	30%	16	6.30	4.15	100k
CMI-DSS5040NH-2R2N	2.2	30%	19	4.90	3.80	100k
CMI-DSS5040NH-3R3N	3.3	30%	24	3.95	3.40	100k
CMI-DSS5040NH-4R7M	4.7	20%	30	3.50	3.00	100k
CMI-DSS5040NH-5R6M	5.6	20%	35	3.00	2.80	100k
CMI-DSS5040NH-6R8M	6.8	20%	43	2.90	2.50	100k
CMI-DSS5040NH-100M	10	20%	64	2.35	2.10	100k
CMI-DSS5040NH-150M	15	20%	86	2.00	2.00	100k
CMI-DSS5040NH-220M	22	20%	129	1.60	1.50	100k
CMI-DSS5040NH-330M	33	20%	188	1.30	1.20	100k
CMI-DSS5040NH-470M	47	20%	272	1.10	1.00	100k
CMI-DSS5040NH-680M	68	20%	400	0.90	0.80	100k
CMI-DSS5040NH-101M	100	20%	560	0.75	0.70	100k
CMI-DSS5040NH-151M	150	20%	750	0.65	0.60	100k
CMI-DSS5040NH-221M	220	20%	1280	0.40	0.38	100k
CMI-DSS5040NH-102M	1000	20%	6200	0.25	0.25	100k
CMI-DSS5040NH-222M	2200	20%	13000	0.10	0.10	100k

- Isat: When based on the inductance change rate (Approximately 30% below in the initial value)
- Itemp: When based on the temperature increase (Temperature increase of approximately 40°C by self heating)
- Operating Temperature Range (including self temperature) : -40°C ~ +125 °c

Note 1 : Circuit design, component placement, PCB trace size and thickness, airflow and other cooling. Provision all affect the part Temperature. Part temperature should be verified in the end application

▪ **You can also contact us by e-mail : [coilmaster@coilmaster.com](mailto:coilmaster@coilmaster.com)**

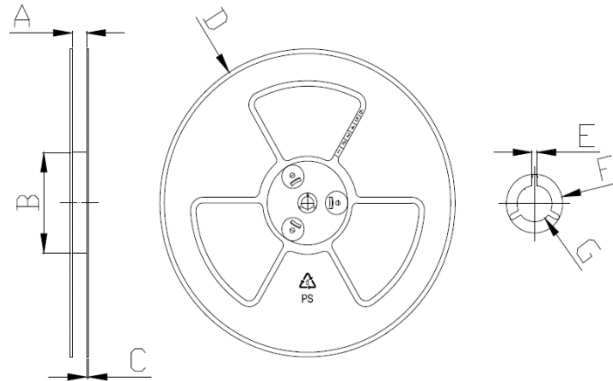
- All specifications are subject to change without notice
- Update date : 2024.06.25

[www.coilmaster.com](http://www.coilmaster.com)

## Packaging

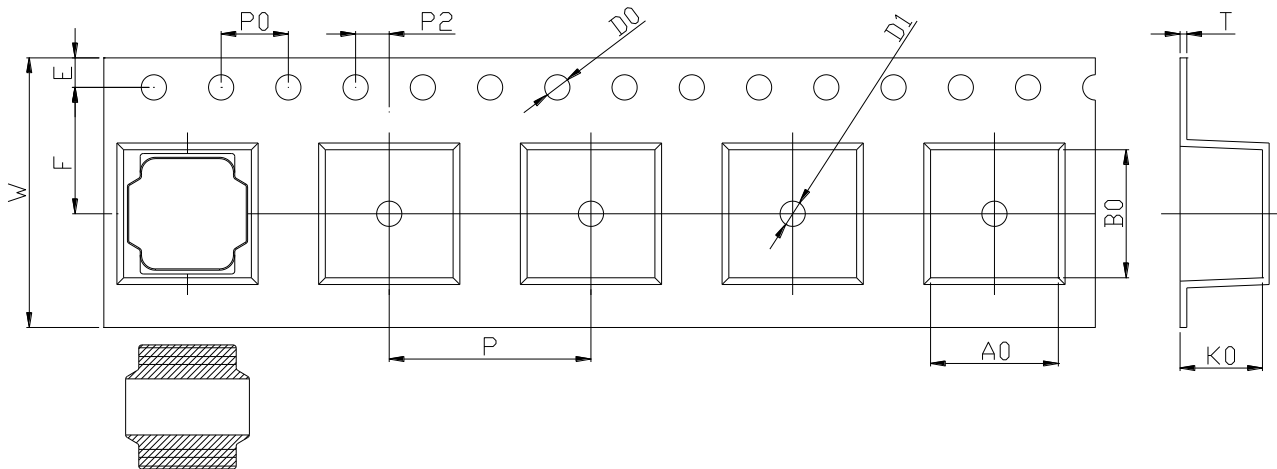
(1) Package quantity : 1,500 (pcs/reel)

(2) Reel Dimensions (unit:mm)



A	B	C	D	E	F	G
12.50	100.0	2.00	330.0	2.30	21.50	13.00
+0.50	+1.00	+0.10	+1.00	+0.30	+0.30	+0.50
-0.50	-1.00	-0.10	-1.00	-0.30	-0.30	-0.50

(3) Tape Dimensions



W	A0	B0	K0	E	F	P	P0	P2	D0/D1	T
12.00	5.40	5.40	4.40	1.75	5.50	8.00	4.00	2.00	1.50	0.30
+0.30	+0.10	+0.10	+0.10	+0.10	+0.10	+0.10	+0.10	+0.10	+0.10	+0.05
-0.30	-0.10	-0.10	-0.10	-0.10	-0.10	-0.10	-0.10	-0.10	-0.00	-0.05

Korea Sales Office (KOREA) +82)31-904-1444  
 China Sales Office (CHINA) +86)0758-683-1444  
 Hungary Sales office (EUROPE) +36)1-404-5832

H.K Sales Office (HONGKONG) +852)2711-5551  
 LA Sales Office (USA) +1)714-616-6989

• You can also contact us by e-mail : [coilmaster@coilmaster.com](mailto:coilmaster@coilmaster.com)

- All specifications are subject to change without notice
- Update date : 2024.06.25

[www.coilmaster.com](http://www.coilmaster.com)