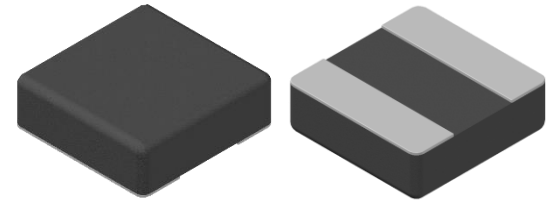


CMI-MMP5018HL SERIES

Features

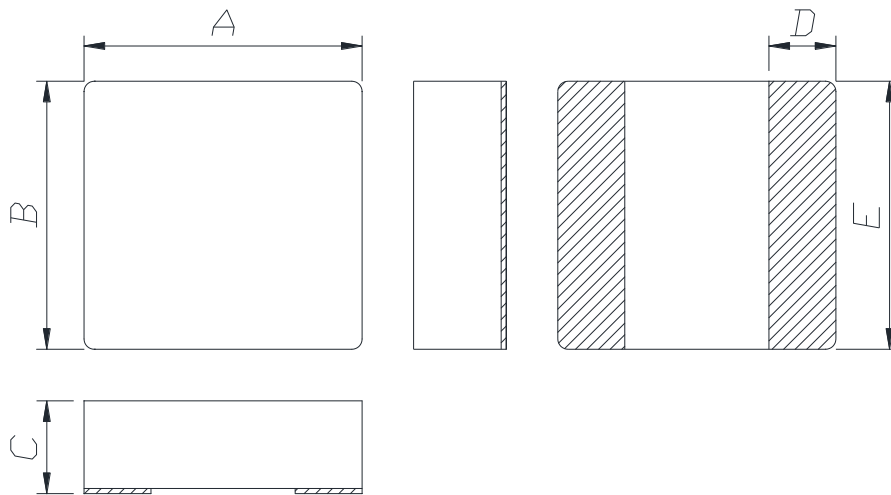
- ▶ Low profile, Compact design.
- ▶ Metal powder molding type for EMC protection.
- ▶ Available tape and reel for auto insertion.
- ▶ Halogen-Free
- ▶ RoHS compliant.



Applications

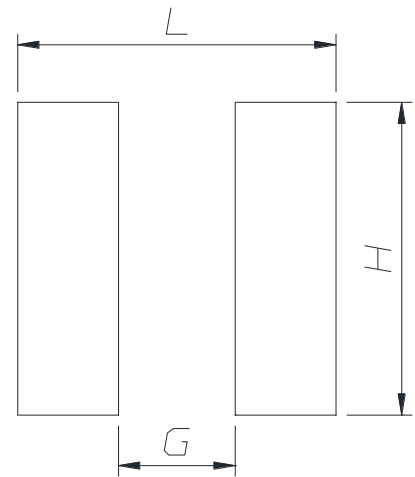
- ▶ For DC/DC converter, AV equipment digital consumer electronics

Dimension (Unit:mm)



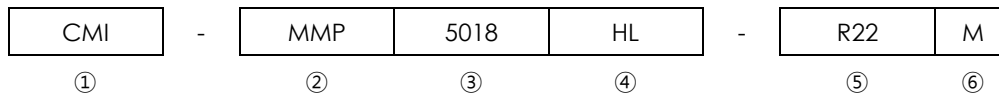
| A | B | C | D | E |
|----------|----------|----------|----------|----------|
| 5.4 ±0.3 | 5.2 ±0.3 | 1.8 Max. | 1.3 ±0.3 | 5.2 ±0.3 |

Land Pattern (Unit:mm)



| L | G | H |
|-----|-----|-----|
| 6.0 | 2.2 | 5.9 |

Regulation of part number



- ① CoilMaster's initial
- ② Series Name : Metal Molded Power inductor
- ③ Core Size (unit:mm)
- ④ Type
- ⑤ Typical inductance value (0.22uH)
- ⑥ Inductance tolerance ($\pm 20\%$)

Specifications

| Part Number | Inductance (uH) $\pm 20\%$ | DCR(mohm) Max.(Typ.) | Isat(A) Max.(Typ.) | Itemp(A) Max.(Typ.) | Test Frequency (Hz) |
|--------------------|-------------------------------|-------------------------|-----------------------|------------------------|---------------------------|
| CMI-MMP5018HL-R22M | 0.22 | 4.8(4.0) | 20.0(22.6) | 17.9(20.0) | 1M |
| CMI-MMP5018HL-R33M | 0.33 | 6.8(5.7) | 18.0(20.1) | 15.8(16.8) | 1M |
| CMI-MMP5018HL-R47M | 0.47 | 8.5(7.6) | 16.3(16.8) | 10.5(11.6) | 1M |
| CMI-MMP5018HL-R68M | 0.68 | 13.8(12) | 11.8(13.7) | 8.4(9.5) | 1M |
| CMI-MMP5018HL-1R0M | 1.0 | 17(15) | 9.0(10.5) | 7.9(8.9) | 1M |
| CMI-MMP5018HL-1R5M | 1.5 | 28(23) | 7.6(9.5) | 5.8(6.5) | 1M |
| CMI-MMP5018HL-2R2M | 2.2 | 35(30) | 6.3(7.4) | 4.9(5.5) | 1M |
| CMI-MMP5018HL-3R3M | 3.3 | 50(42.8) | 5.0(5.8) | 4.7(4.9) | 1M |
| CMI-MMP5018HL-4R7M | 4.7 | 77(66.5) | 4.1(4.7) | 3.4(3.7) | 1M |
| CMI-MMP5018HL-6R8M | 6.8 | 119(98) | 3.6(3.8) | 2.7(3.1) | 1M |
| CMI-MMP5018HL-100M | 10.0 | 146(132) | 2.9(3.5) | 2.4(2.6) | 1M |
| | | | | | |
| | | | | | |
| | | | | | |
| | | | | | |

- Isat: When based on the inductance change rate (Approximately 30% below in the initial value)
- Itemp: When based on the temperature increase (Temperature increase of approximately 40°C by self heating)
- Operating Temperature Range (including self temperature) : -40°C ~ +125 °c

Note 1 : Circuit design, component placement, PCB trace size and thickness, airflow and other cooling. Provision all affect the part Temperature. Part temperature should be verified in the end application.

▪ **You can also contact us by e-mail : coilmaster@coilmaster.com**

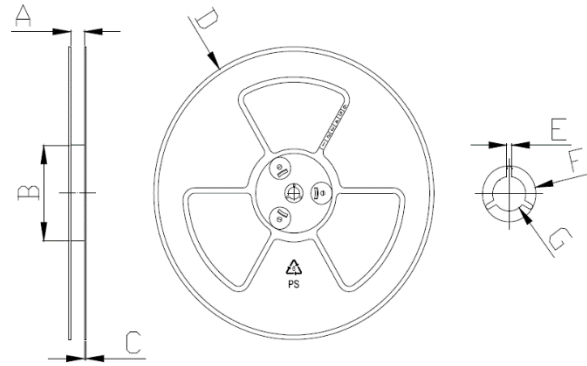
- All specifications are subject to change without notice.
- Update date : 2023.05.16

www.coilmaster.com

Packaging

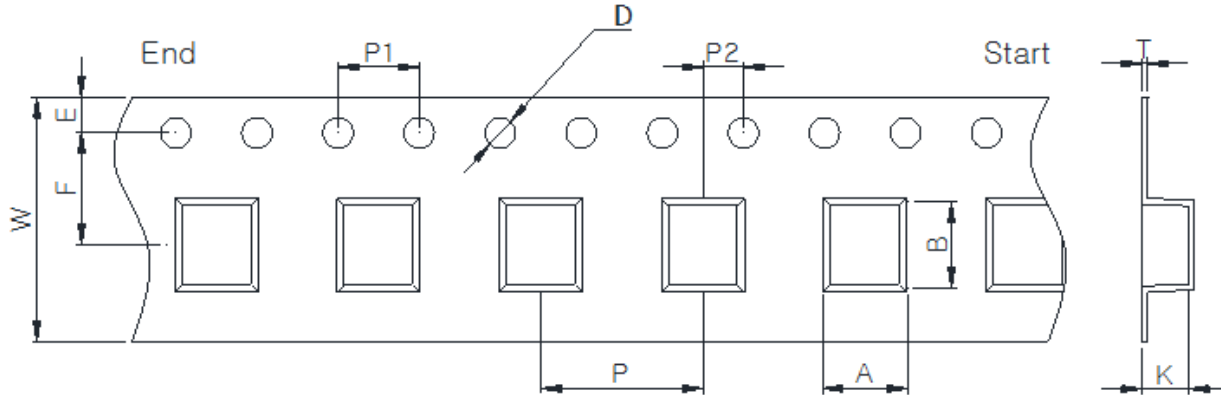
(1) Package quantity : 3,000 (pcs/reel)

(2) Reel Dimensions (unit:mm)



| A | B | C | D | E | F | G |
|-------|-------|-------|-------|-------|-------|-------|
| 12.50 | 100.0 | 2.00 | 330.0 | 1.90 | 21.00 | 13.00 |
| +1.00 | +1.50 | +0.10 | +1.00 | +0.40 | +0.40 | +0.40 |
| -1.00 | -1.50 | -0.10 | -1.00 | -0.40 | -0.40 | -0.40 |

(3) Tape Dimensions



| W | A | B | K | E | F | P | P1 | P2 | D | T |
|-------|-------|-------|-------|-------|-------|-------|-------|-------|-------|-------|
| 12.00 | 5.50 | 5.70 | 2.20 | 1.75 | 5.50 | 8.00 | 4.00 | 2.00 | 1.50 | 0.30 |
| +0.30 | +0.10 | +0.10 | +0.10 | +0.10 | +0.10 | +0.10 | +0.10 | +0.10 | +0.10 | +0.05 |
| -0.10 | -0.10 | -0.10 | -0.10 | -0.10 | -0.10 | -0.10 | -0.10 | -0.10 | -0.00 | -0.05 |

Korea Sales Office (KOREA) +82)31-904-1444
 China Sales Office (CHINA) +86)0758-683-1444
 Hungary Sales office (EUROPE) +36)1-404-5832

H.K Sales Office (HONGKONG) +852)2711-5551
 LA Sales Office (USA) +1)714-616-6989

• You can also contact us by e-mail : coilmaster@coilmaster.com

- All specifications are subject to change without notice.
- Update date : 2023.05.16

www.coilmaster.com