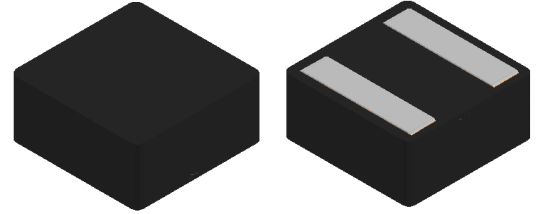




CMI-MMPF15100QL-SB SERIES

Features

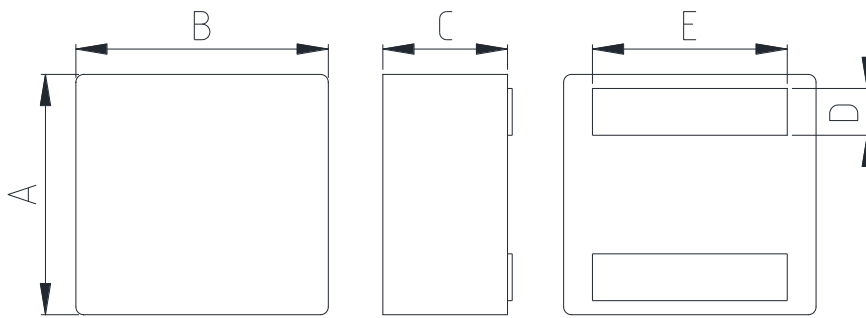
- ▶ High current
- ▶ Metal powder molding type for EMC protection.
- ▶ Lower DCR with applying flat wire.
- ▶ Available tape and reel for auto insertion.
- ▶ Halogen-Free / RoHS compliant.



Applications

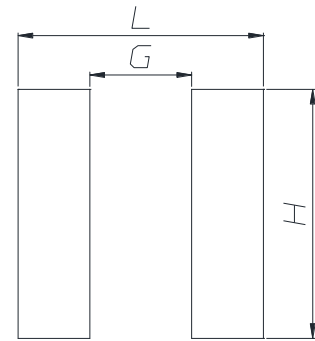
- ▶ For DC/DC Converter

Dimension (Unit:mm)



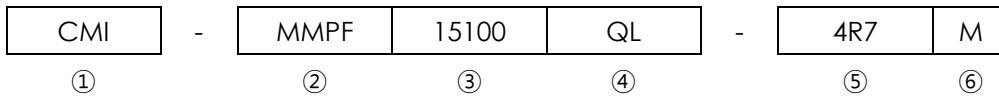
A	B	C	D	E
15.2±0.5	16.2±0.5	11.0 Max.	3.0±0.2	10.5±0.5

Land Pattern (Unit:mm)



L	G	H
13.78	7.42	13.20

Regulation of part number



- ① CoilMaster's initial
- ② Series Name : Metal Molded Power inductor Flat wire type.
- ③ Core Size (unit:mm)
- ④ Material
- ⑤ Typical inductance value (4.7uH)
- ⑥ Inductance tolerance (±20%)

• You can also contact us by e-mail : coilmaster@coilmaster.com
 • All specifications are subject to change without notice.
 • Update date : 2021.12.28

Specifications

Part Number	Inductance (μ H) \pm 20%	DCR(mohm) Max(Typ)	IDC1(A) Max(Typ)	IDC2(A) Max(Typ)	Test Frequency (Hz)
CMI-MMPF15100QL-4R7M-SB	4.7	3.0(2.5)	45.00(50.00)	33.00(35.00)	1M
CMI-MMPF15100QL-6R8M-SB	6.8	4.2(3.5)	32.00(37.00)	31.00(33.00)	1M
CMI-MMPF15100QL-8R2M-SB	8.2	6.0(5.0)	30.00(35.00)	30.00(32.00)	1M
CMI-MMPF15100QL-100M-SB	10.0	7.0(6.0)	27.00(32.00)	28.00(30.00)	1M
CMI-MMPF15100QL-150M-SB	15.0	10.3(8.6)	23.00(25.00)	24.00(26.00)	1M
CMI-MMPF15100QL-220M-SB	22.0	13.0(11.0)	20.00(22.00)	23.30(24.50)	1M
CMI-MMPF15100QL-330M-SB	33.0	18.6(15.5)	15.00(17.00)	21.00(22.00)	1M

- IDC1: When based on the inductance change rate (approximately 30% below in the initial value)
- IDC2: When based on the temperature increase (Temperature increase of approximately 40°C by self heating)
- Operating Temperature Range(including self temperature) : -40°C ~ +125 °C

Note 1 : Circuit design, component placement, PCB trace size and thickness, airflow and other cooling. Provision all affect the part Temperature. Part temperature should be verified in the end application.

• You can also contact us by e-mail : coilmaster@coilmaster.com

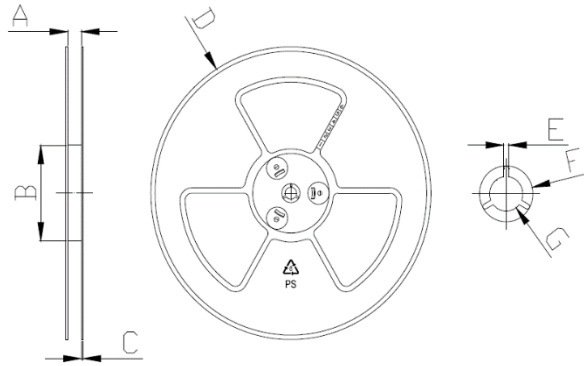
- All specifications are subject to change without notice.
- Update date : 2021.12.28

www.coilmaster.com

Packaging

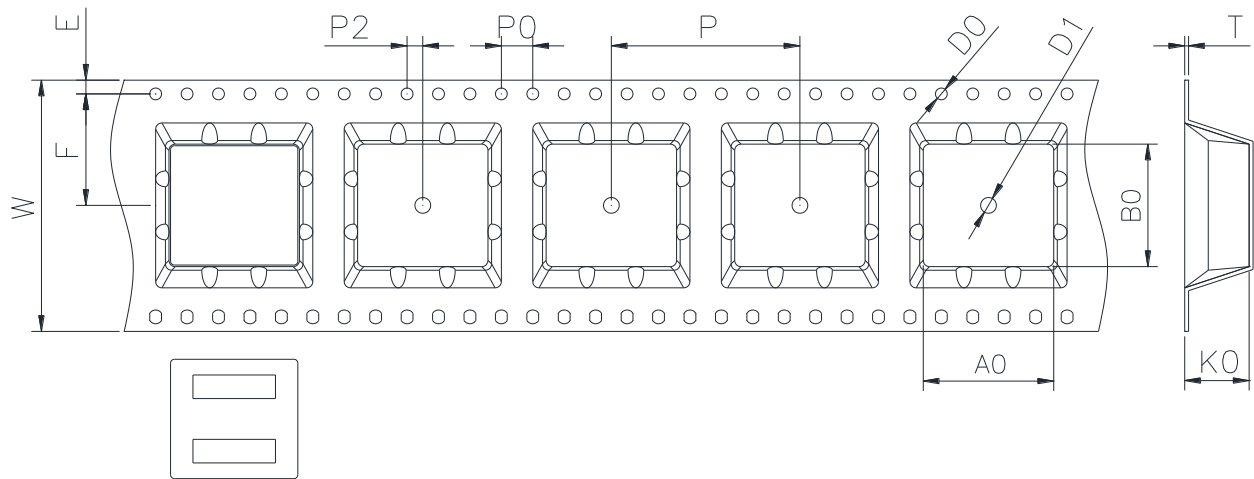
(1) Package quantity : 200 (pcs/reel)

(2) Reel Dimensions (unit:mm)



A	B	C	D	E	F	G
32.50	100.0	2.00	330.0	2.30	21.50	13.00
+0.50	+1.00	+0.20	+3.00	+0.30	+0.30	+0.50
-0.50	-1.00	-0.20	-3.00	-0.30	-0.30	-0.20

(3) Tape Dimensions



W	A0	B0	K0	E	F	P	P0	P2	D0	D1	T
32.00	16.60	15.60	11.20	1.75	14.20	24.00	4.00	2.00	1.50	2.00	0.50
+0.30	+0.10	+0.10	+0.10	+0.10	+0.10	+0.10	+0.10	+0.10	+0.10	+0.10	+0.05
-0.30	-0.10	-0.10	-0.10	-0.10	-0.10	-0.10	-0.10	-0.10	-0.00	-0.00	-0.05

Ilsan Sales Office (KOREA) +82)31-904-1444
 Shenzhen Sales Office (CHINA) +86)755-8663-6929
 Hungary Sales office (EUROPE) +36)30-913-7706

H.K Sales Office (HONGKONG) +852)2711-5551
 LA Sales Office (USA) +1)866-446-3586

• You can also contact us by e-mail : coilmaster@coilmaster.com

- All specifications are subject to change without notice.
- Update date : 2021.12.28

www.coilmaster.com