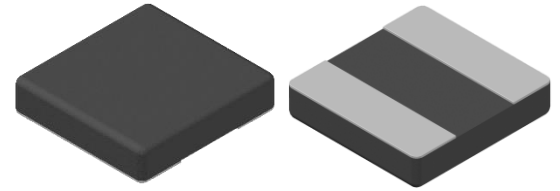


CMI-MMPF7015H2-SERIES

Features

- ▶ Low Profile and Compact design.
- ▶ Low AC Loss.
- ▶ Lower DCR with applying Flat wire.
- ▶ Metal powder molding type for EMC protection.
- ▶ Available tape and reel for auto insertion.
- ▶ Halogen-Free.
- ▶ RoHS compliant.

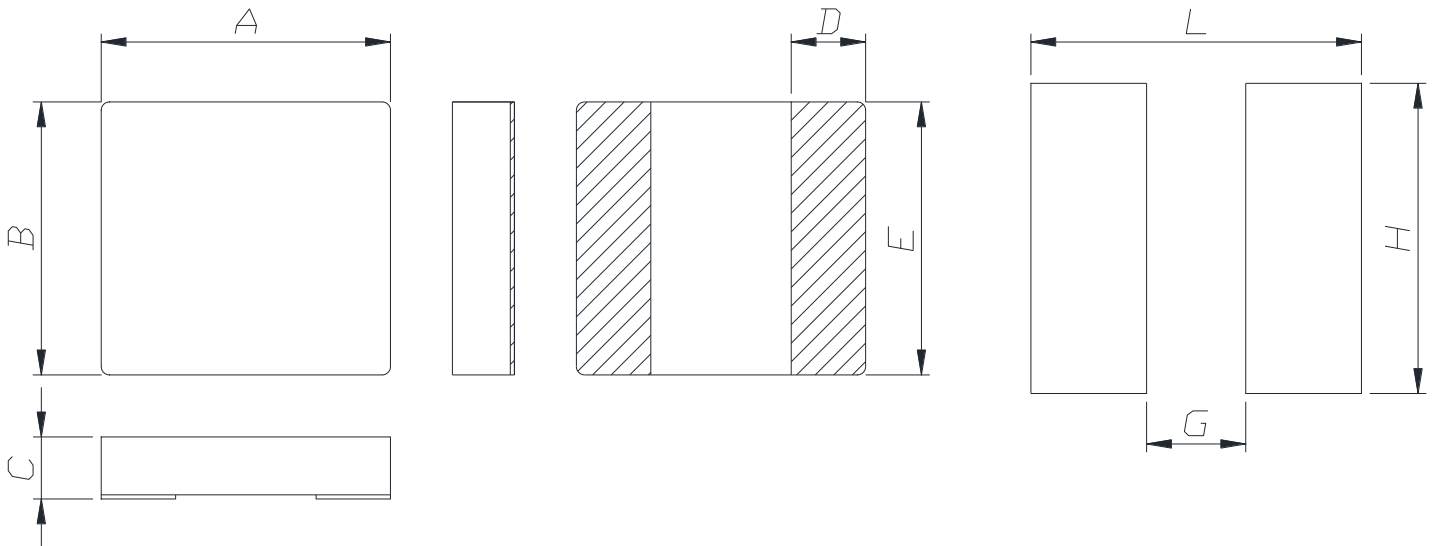


Applications

- ▶ For DC/DC converter, DDR5, AV equipment digital consumer electronics

Dimension (Unit:mm)

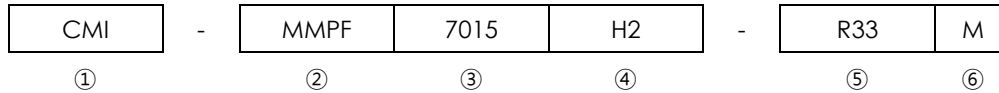
Land Pattern (Unit:mm)



A	B	C	D	E	G	H	L
7.0 ±0.3	6.6 ±0.3	1.5 Max.	1.8 ±0.3	6.6 ±0.3	2.4	7.5	8.0

- You can also contact us by e-mail : coilmaster@coilmaster.com
- All specifications are subject to change without notice.
- Update date : 2023.12.12

Regulation of part number



- ① CoilMaster's initial
- ② Series Name : Metal Molded Power inductor Flat wire type
- ③ Core Size (unit:mm)
- ④ Material
- ⑤ Typical inductance value (0.33uH)
- ⑥ Inductance tolerance (±20%)

Specifications

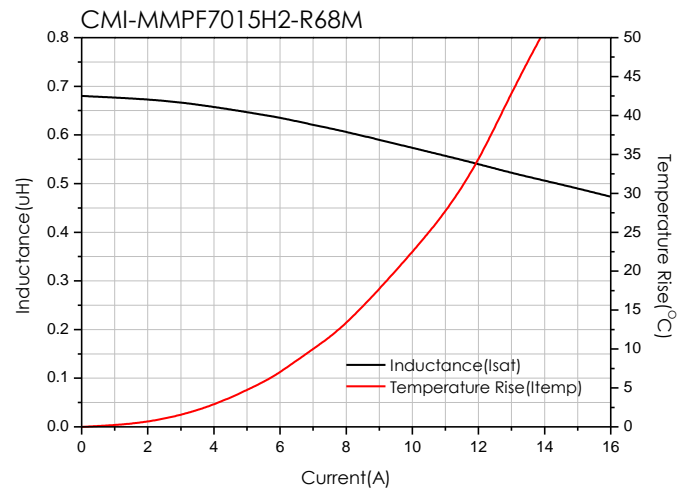
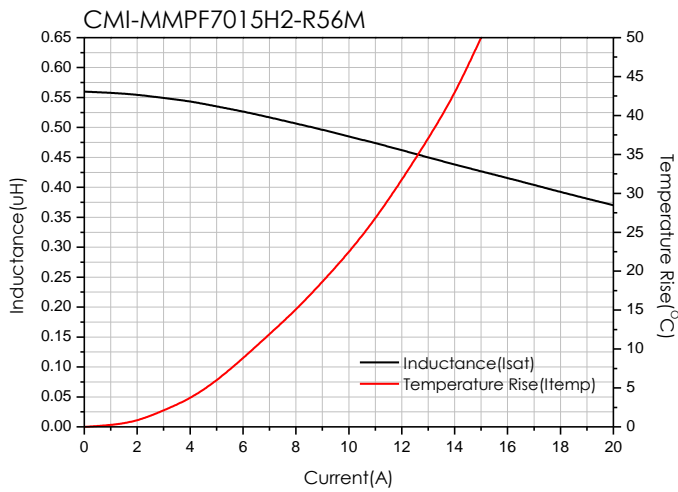
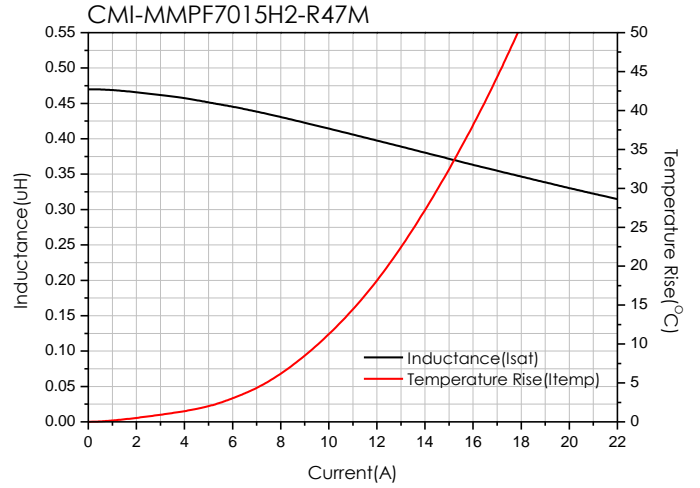
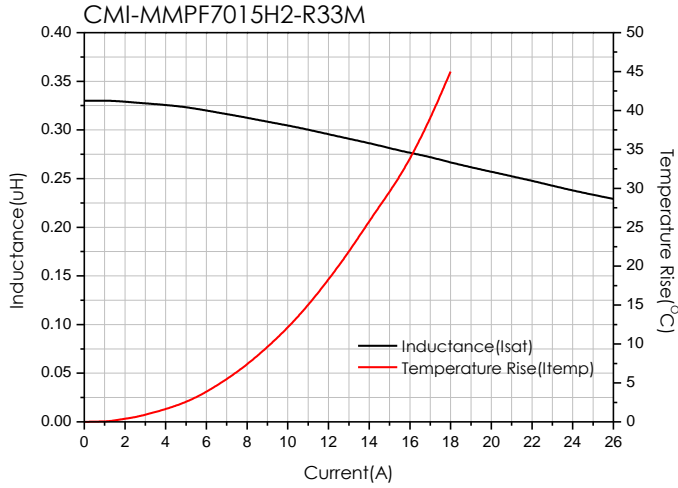
Part Number	Inductance (uH) ±20%	DCR(mohm) Max.(Typ.)	Isat(A) Max.(Typ.)	Itemp(A) Max.(Typ.)	Test Frequency (Hz)
CMI-MMPF7015H2-R33M	0.33	6.0(5.0)	22.0(24.0)	14.0(16.0)	1M
CMI-MMPF7015H2-R47M	0.47	8.4(7.0)	17.0(19.0)	13.0(15.0)	1M
CMI-MMPF7015H2-R56M	0.56	10.8(9.0)	15.5(17.5)	12.0(13.0)	1M
CMI-MMPF7015H2-R68M	0.68	13.8(11.5)	13.5(15.5)	11.0(12.0)	1M

- Isat: When based on the inductance change rate (approximately 30% below in the initial value)
- Itemp: When based on the temperature increase (Temperature increase of approximately 40°C by self heating)
- Operating Temperature Range(including self temperature) : -40°C ~ +125 °C

Note 1 : Circuit design, component placement, PCB trace size and thickness, airflow and other cooling. Provision all affect the part Temperature. Part temperature should be verified in the end application.

- **You can also contact us by e-mail : coilmaster@coilmaster.com**
- All specifications are subject to change without notice.
- Update date : 2023.12.12

Electrical characteristics

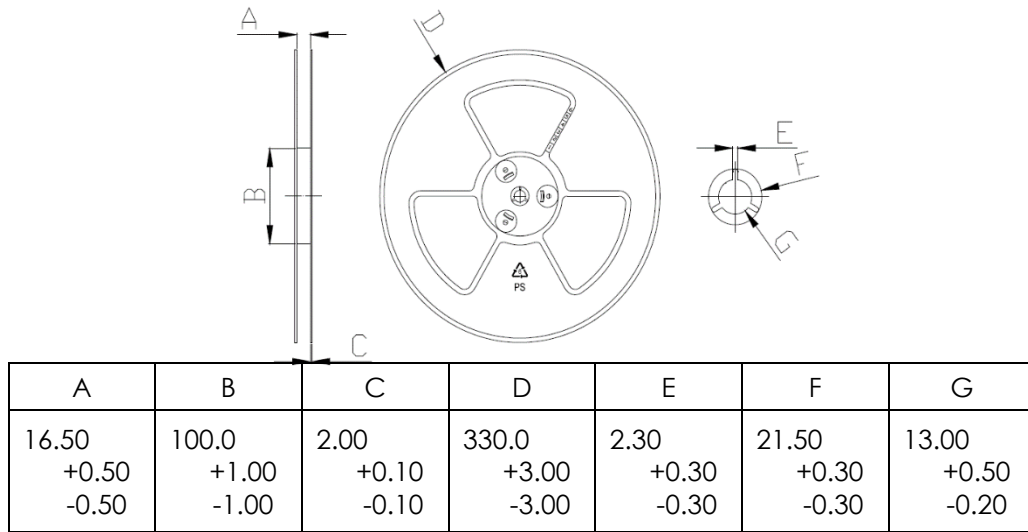


- You can also contact us by e-mail : coilmaster@coilmaster.com
- All specifications are subject to change without notice.
- Update date : 2023.12.12

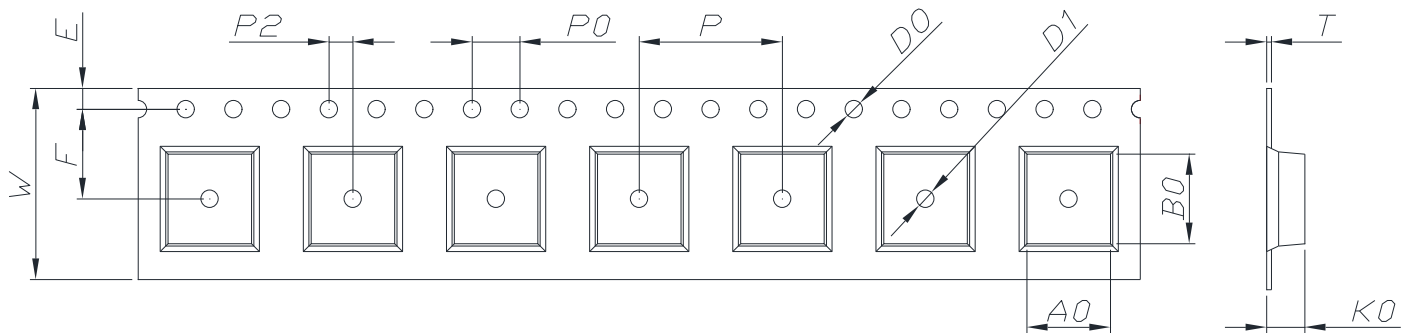
Packaging

(1) Package quantity : 2,500 (pcs/reel)

(2) Reel Dimensions (unit:mm)



(3) Tape Dimensions



W	A0	B0	K0	E	F	P	P0	P2	D0/D1	T
16.00	7.00	7.50	1.70	1.75	7.50	12.00	4.00	2.00	1.50	0.30
+0.30	+0.10	+0.10	+0.10	+0.10	+0.10	+0.10	+0.10	+0.10	+0.10	+0.05
-0.10	-0.10	-0.10	-0.10	-0.10	-0.10	-0.10	-0.10	-0.10	-0.00	-0.05

Korea Sales Office (KOREA) +82)31-904-1444
 China Sales Office (CHINA) +86)0758-683-1444
 Hungary Sales office (EUROPE) +36)1-404-5832

H.K Sales Office (HONGKONG) +852)2711-5551
 LA Sales Office (USA) +1)714-616-6989

• You can also contact us by e-mail : coilmaster@coilmaster.com

- All specifications are subject to change without notice.
- Update date : 2023.12.12

www.coilmaster.com