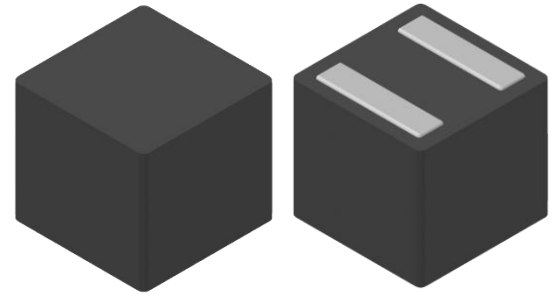


# CMI-MMPF7070QL-SB SERIES

## Features

- ▶ Metal powder molding type for EMC protection.
- ▶ Lower DCR with applying flat wire.
- ▶ Available tape and reel for auto insertion.
- ▶ Halogen-Free.
- ▶ RoHS compliant.

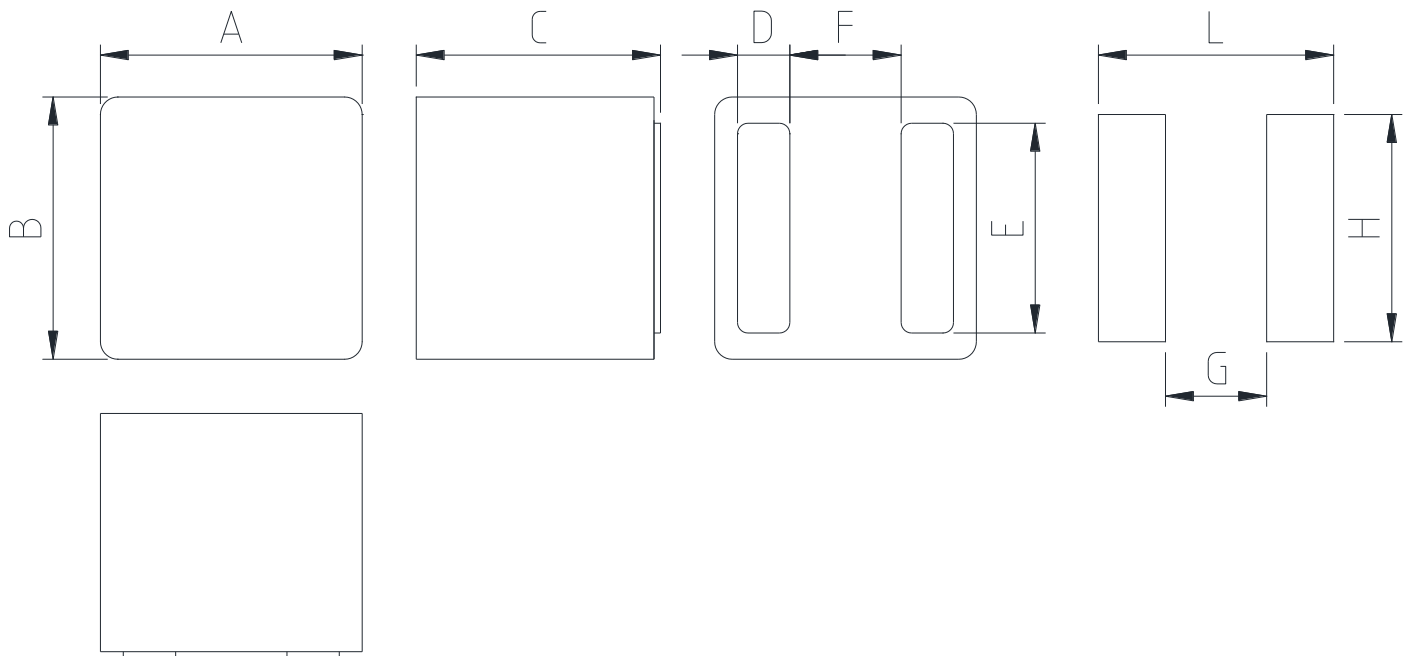


## Applications

- ▶ For DC/DC Converter

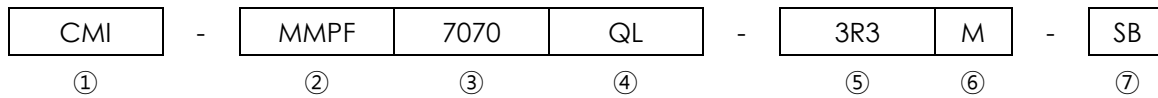
## Dimension (Unit:mm)

## Land Pattern (Unit:mm)



A	B	C	D	E	F	G	H	L
7.5 ±0.2	7.5 ±0.2	7.0 Max.	1.5 ±0.2	6.0 Typ.	3.2 Typ.	2.90	6.50	6.74

## Regulation of part number



- ① CoilMaster's initial
- ② Series Name : Metal Molded Power inductor Flat wire type.
- ③ Core Size (unit:mm)
- ④ Material
- ⑤ Typical inductance value (3.3uH)
- ⑥ Inductance tolerance ( $\pm 20\%$ )
- ⑦ Type (SB)

## Specifications

Part Number	Inductance (uH) $\pm 20\%$	DCR(mohm) Max.(Typ.)	Isat(A) Max.(Typ.)	Itemp(A) Max.(Typ.)	Test Frequency (Hz)
CMI-MMPF7070QL-R68M-SB	0.68	3.0(2.5)	35.0(37.0)	28.0(30.0)	1M
CMI-MMPF7070QL-1R0M-SB	1.0	4.8(4.0)	30.0(32.0)	23.0(25.0)	1M
CMI-MMPF7070QL-1R5M-SB	1.5	6.0(5.0)	25.0(27.0)	20.0(22.0)	1M
CMI-MMPF7070QL-2R2M-SB	2.2	7.0(6.0)	20.0(22.0)	17.0(18.0)	1M
CMI-MMPF7070QL-3R3M-SB	3.3	10.56(8.8)	18.5(19.5)	14.5(15.5)	1M

- Isat: When based on the inductance change rate (Approximately 30% below in the initial value)
- Itemp: When based on the temperature increase (Temperature increase of approximately 40°C by self heating)
- Operating Temperature Range (including self temperature) : -40°C ~ +125 °c

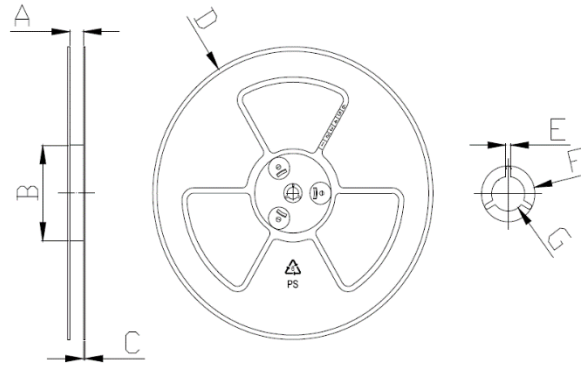
Note 1 : Circuit design, component placement, PCB trace size and thickness, airflow and other cooling. Provision all affect the part Temperature. Part temperature should be verified in the end application.

- **You can also contact us by e-mail : [coilmaster@coilmaster.com](mailto:coilmaster@coilmaster.com)**
- All specifications are subject to change without notice.
- Update date : 2022.07.18

## Packaging

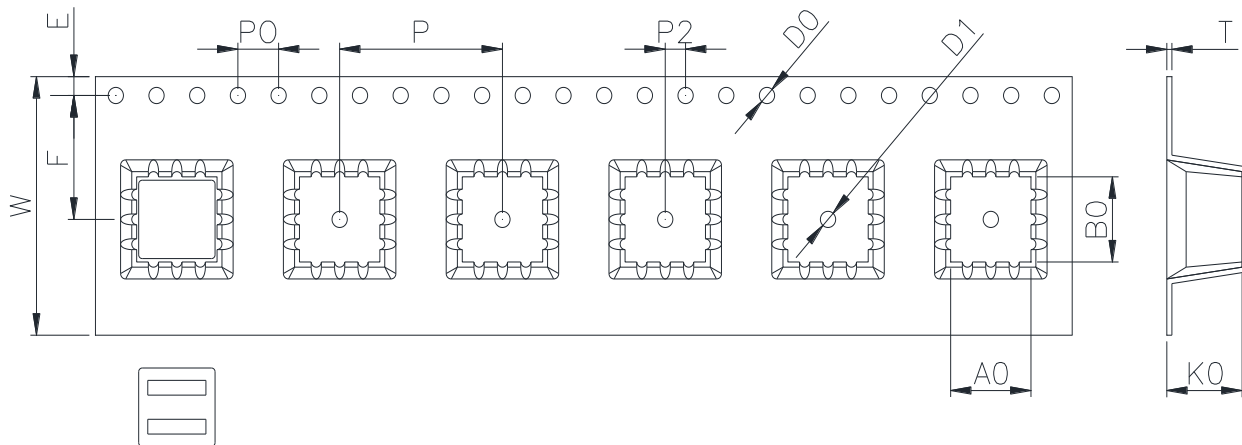
(1) Package quantity : 500 (pcs/reel)

(2) Reel Dimensions (unit:mm)



A	B	C	D	E	F	G
24.50	100.0	2.00	330.0	2.30	21.50	13.00
+0.50	+1.00	+0.20	+3.00	+0.30	+0.30	+0.50
-0.50	-1.00	-0.20	-3.00	-0.30	-0.30	-0.20

(3) Tape Dimensions



W	A0	B0	KO	E	F	P	P0	P2	D0/D1	T
24.00	7.90	7.90	7.40	1.75	11.50	16.00	4.00	2.00	1.50	0.50
+0.30	+0.10	+0.10	+0.10	+0.10	+0.10	+0.10	+0.10	+0.10	+0.10	+0.05
-0.30	-0.10	-0.10	-0.10	-0.10	-0.10	-0.10	-0.10	-0.10	-0.00	-0.05

Korea Sales Office (KOREA) +82)31-904-1444  
 China Sales Office (CHINA) +86)0758-683-1444  
 Hungary Sales office (EUROPE) +36)1-404-5832

H.K Sales Office (HONGKONG) +852)2711-5551  
 LA Sales Office (USA) +1)714-616-6989

• You can also contact us by e-mail : [coilmaster@coilmaster.com](mailto:coilmaster@coilmaster.com)

- All specifications are subject to change without notice.
- Update date : 2022.07.18

[www.coilmaster.com](http://www.coilmaster.com)