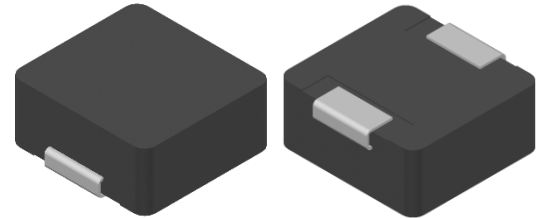


# CMI-MMPP12055LH-SERIES

## Features

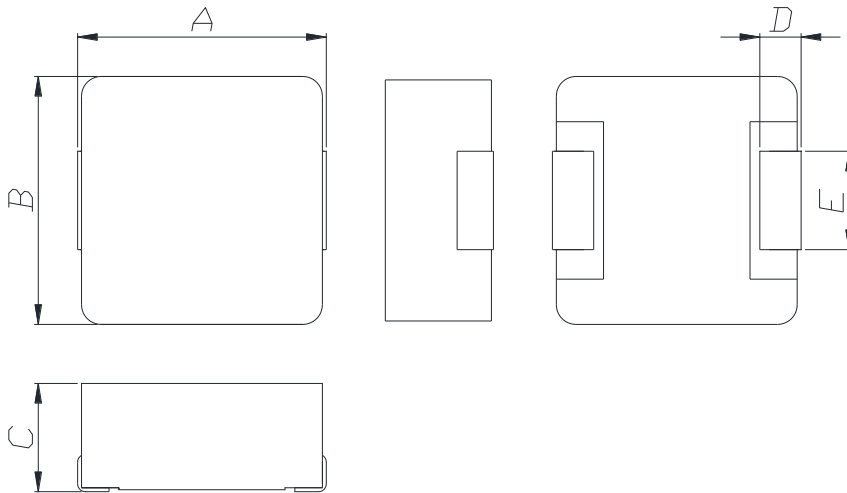
- ▶ Metal powder molding type for EMC protection.
- ▶ Available tape and reel for auto insertion.
- ▶ Halogen-Free.
- ▶ RoHS compliant.



## Applications

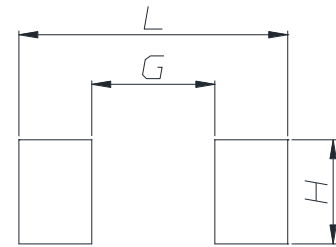
- ▶ For DC/DC converter, AV equipment digital consumer electronics

## Dimension (Unit:mm)



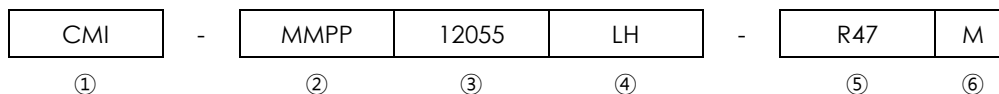
A	B	C	D	E
12.65 ±0.5	12.6 ±0.4	5.5 Max.	2.0 ±0.5	5.0 ±0.2

## Land Pattern (Unit:mm)



L	G	H
14.2	6.5	5.5

## Regulation of part number



- ① CoilMaster's initial
- ② Series Name : Metal Molded Pin type Power inductor
- ③ Core Size (unit:mm)
- ④ Material
- ⑤ Typical inductance value (0.47uH)
- ⑥ Inductance tolerance ( $\pm 20\%$ )

## Specifications

Part Number	Inductance (uH) $\pm 20\%$	DCR(mohm) Max.(Typ.)	Isat(A) Max.(Typ.)	Itemp(A) Max.(Typ.)	Test Frequency (Hz)
CMI-MMPP12055LH-R47M	0.47	1.9(1.6)	55.0(65.0)	35.0(37.0)	1M
CMI-MMPP12055LH-1R0M	1.0	2.4(2)	45.0(50.0)	26.0(28.0)	1M
CMI-MMPP12055LH-4R7M	4.7	12.5(10.4)	22.0(24.0)	17.0(17.5)	1M
CMI-MMPP12055LH-100M	10	25(21)	13.0(15.0)	10.3(11.5)	1M
CMI-MMPP12055LH-150M	15	36(30)	11.0(12.0)	8.0(8.5)	1M
CMI-MMPP12055LH-220M	22	48(40)	9.0(10.0)	7.0(7.5)	1M
CMI-MMPP12055LH-470M	47	108(90)	7.0(8.0)	4.8(5.3)	1M

- Isat: When based on the inductance change rate (Approximately 30% below in the initial value)
- Itemp: When based on the temperature increase (Temperature increase of approximately 40°C by self heating)
- Operating Temperature Range (including self temperature) : -40°C ~ +125 °c

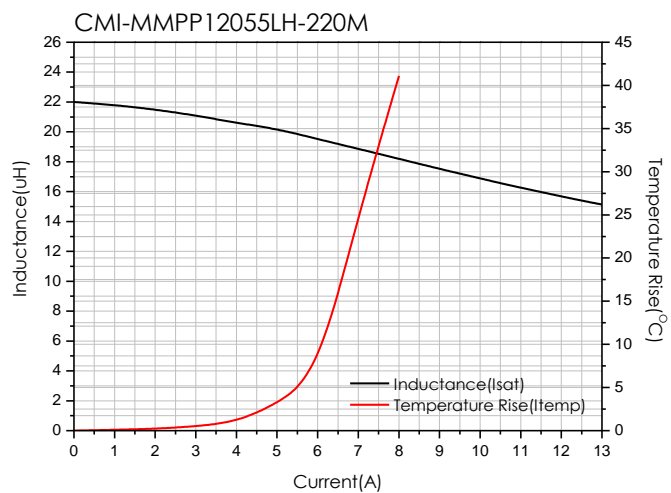
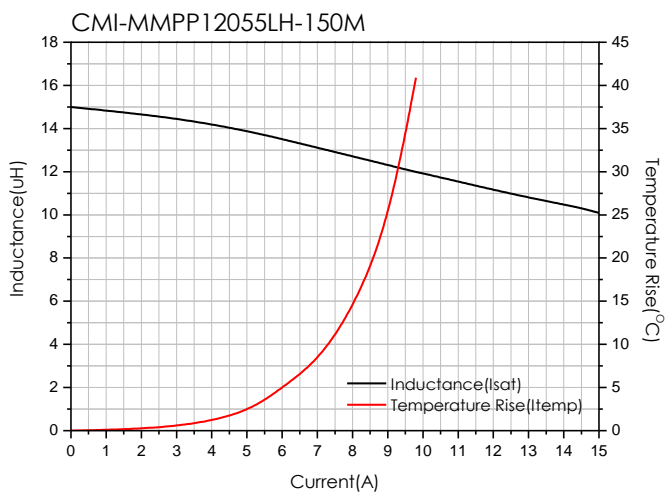
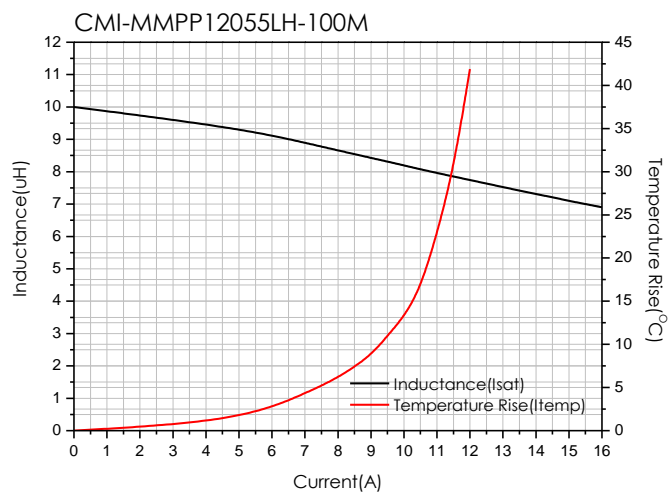
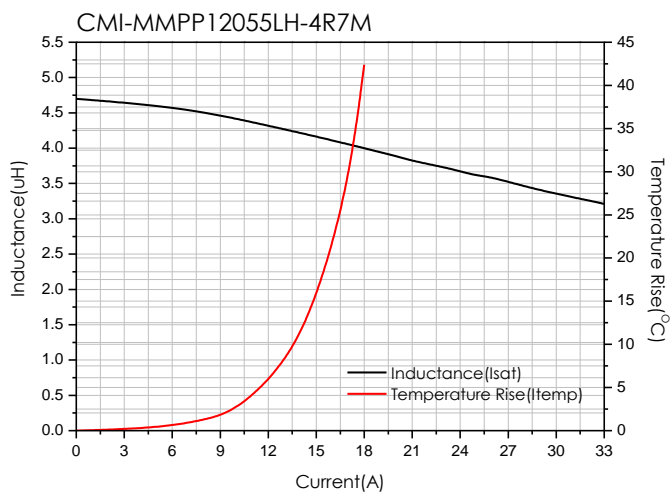
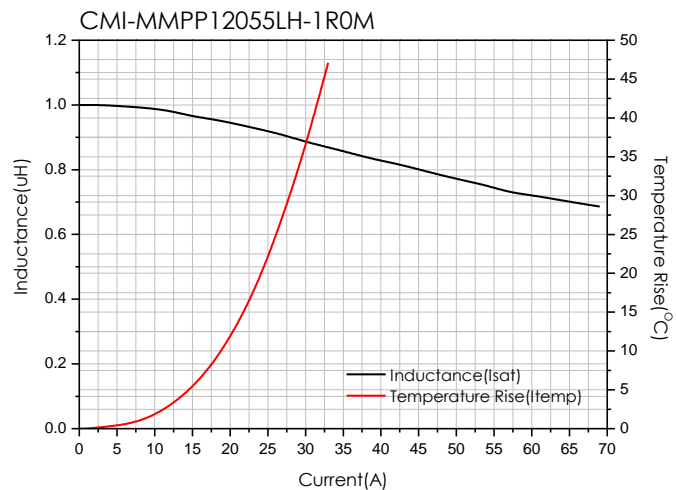
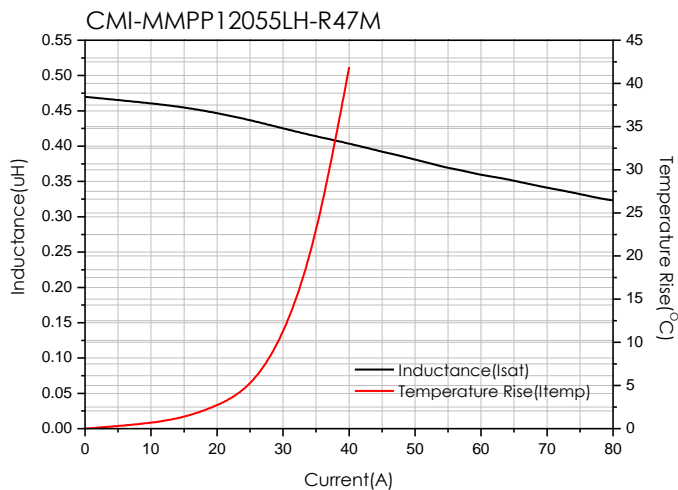
Note 1 : Circuit design, component placement, PCB trace size and thickness, airflow and other cooling. Provision all affect the part Temperature. Part temperature should be verified in the end application.

▪ **You can also contact us by e-mail : [coilmaster@coilmaster.com](mailto:coilmaster@coilmaster.com)**

- All specifications are subject to change without notice.
- Update date : 2020.09.17

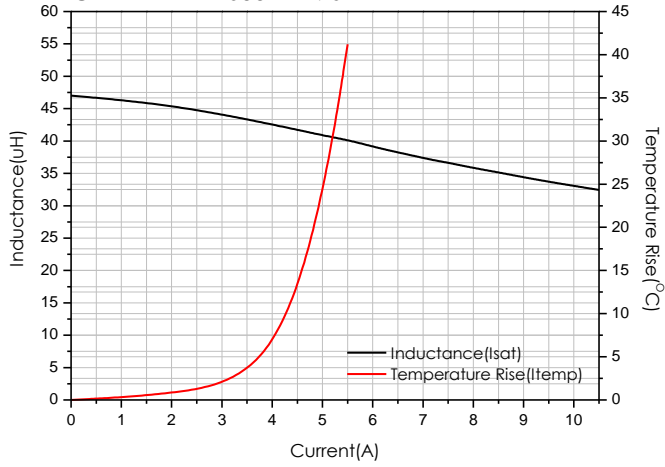
[www.coilmaster.com](http://www.coilmaster.com)

## Electrical characteristics



- You can also contact us by e-mail : [coilmaster@coilmaster.com](mailto:coilmaster@coilmaster.com)
- All specifications are subject to change without notice.
- Update date : 2020.09.17

CMI-MMPP12055LH-470M

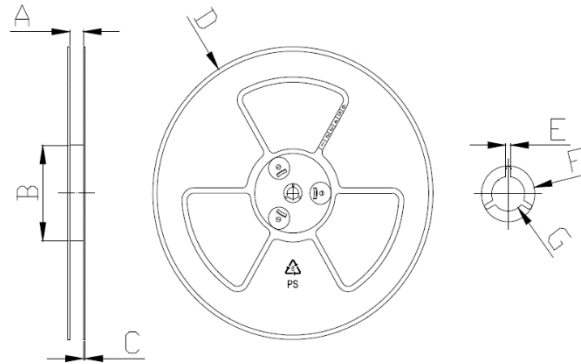


- You can also contact us by e-mail : [coilmaster@coilmaster.com](mailto:coilmaster@coilmaster.com)
- All specifications are subject to change without notice.
- Update date : 2020.09.17

## Packaging

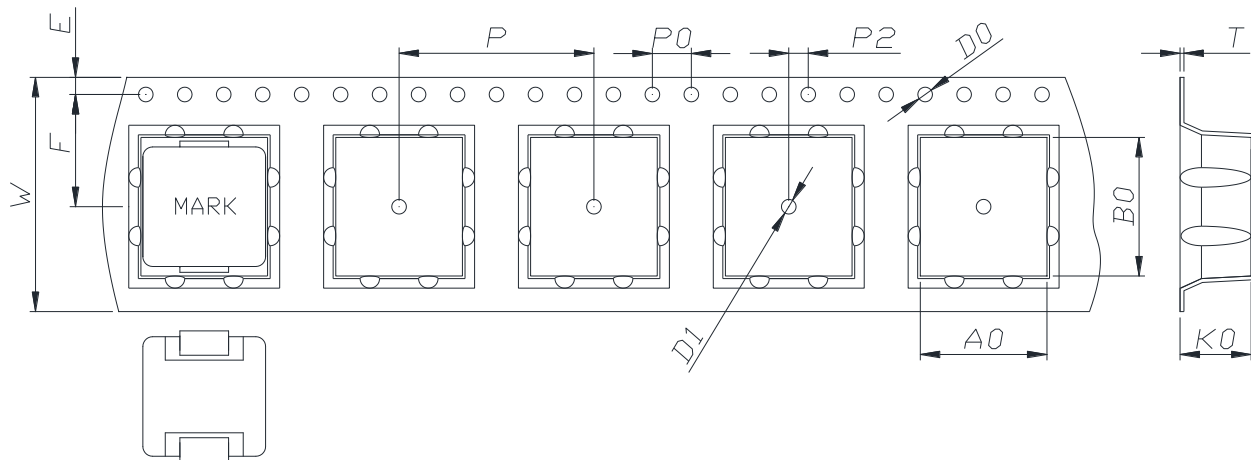
(1) Package quantity : 350 (pcs/reel)

(2) Reel Dimensions (unit:mm)



A	B	C	D	E	F	G
24.50	100.0	2.30	330.0	2.30	21.50	13.00
+0.50	+1.00	+0.20	+3.00	+0.30	+0.30	+0.50
-0.50	-1.00	-0.20	-3.00	-0.30	-0.30	-0.20

(3) Tape Dimensions



W	A0	B0	K0	E	F	P	P0	P2	D0/D1	T
24.00	13.00	14.20	5.80	1.75	11.50	20.00	4.00	2.00	1.50	0.40
+0.30	+0.10	+0.10	+0.15	+0.10	+0.10	+0.10	+0.10	+0.10	+0.10	+0.05
-0.10	-0.10	-0.00	-0.10	-0.10	-0.10	-0.10	-0.10	-0.10	-0.00	-0.05

Korea Sales Office (KOREA) +82)31-904-1444  
 China Sales Office (CHINA) +86)0758-683-1444  
 Hungary Sales office (EUROPE) +36)1-404-5832

H.K Sales Office (HONGKONG) +852)2711-5551  
 LA Sales Office (USA) +1)714-616-6989

• You can also contact us by e-mail : [coilmaster@coilmaster.com](mailto:coilmaster@coilmaster.com)

- All specifications are subject to change without notice.
- Update date : 2020.09.17

[www.coilmaster.com](http://www.coilmaster.com)