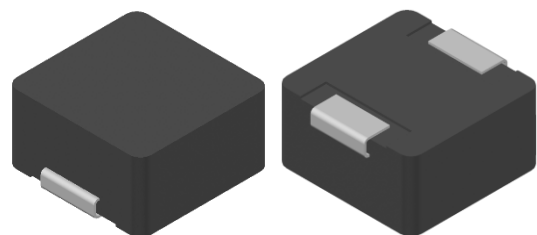


CMI-MMPP13055LH-SERIES

Features

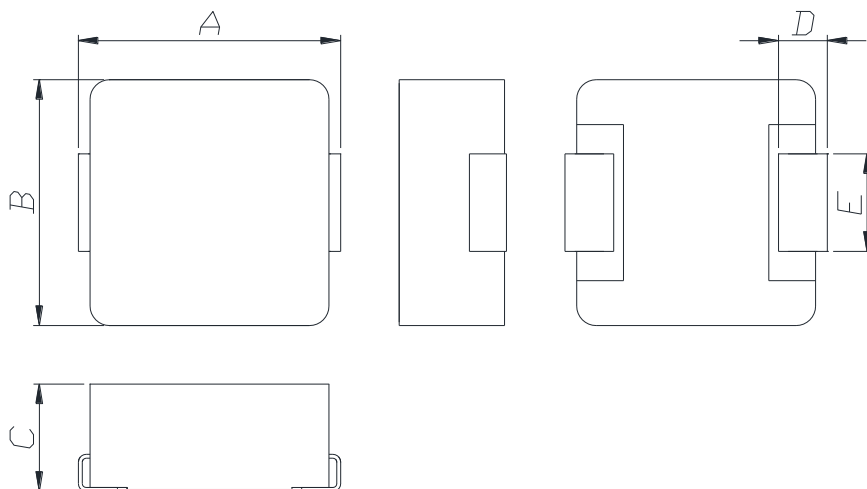
- ▶ Metal powder molding type for EMC protection.
- ▶ Available tape and reel for auto insertion.
- ▶ Halogen-Free.
- ▶ RoHS compliant.



Applications

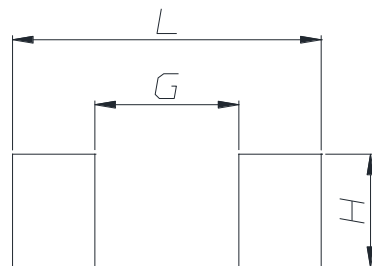
- ▶ For DC/DC converter, AV equipment digital consumer electronics

Dimension (Unit:mm)



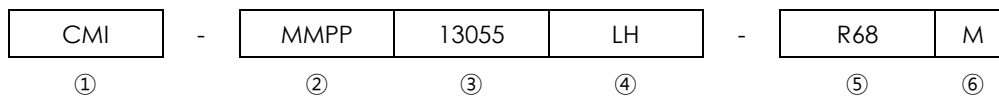
A	B	C	D	E
13.65 ±0.5	12.6 ±0.4	5.5 Max.	2.0 ±0.5	5.0 ±0.2

Land Pattern (Unit:mm)



L	G	H
15.0	7.0	5.5

Regulation of part number



- ① CoilMaster's initial
- ② Series Name : Metal Molded Pin type Power inductor
- ③ Core Size (unit:mm)
- ④ Material
- ⑤ Typical inductance value (0.68uH)
- ⑥ Inductance tolerance ($\pm 20\%$)

Specifications

Part Number	Inductance (uH) $\pm 20\%$	DCR(mohm) Max.(Typ.)	Isat(A) Max.(Typ.)	Itemp(A) Max.(Typ.)	Test Frequency (Hz)
CMI-MMPP13055LH-R68M	0.68	1.8(1.5)	55.0(60.0)	30.0(32.0)	1M
CMI-MMPP13055LH-1R0M	1.0	2.4(2)	45.0(50.0)	26.0(28.0)	1M
CMI-MMPP13055LH-1R5M	1.5	3.3(2.8)	40.0(45.0)	21.0(23.0)	1M
CMI-MMPP13055LH-2R2M	2.2	7.2(6)	32.0(36.0)	17.5(18.5)	1M
CMI-MMPP13055LH-3R3M	3.3	9(7.5)	27.0(30.0)	16.5(17.0)	1M
CMI-MMPP13055LH-4R7M	4.7	12.5(10.4)	22.0(24.0)	16.0(16.5)	1M
CMI-MMPP13055LH-6R8M	6.8	18(15)	19.0(21.0)	13.5(14.0)	1M
CMI-MMPP13055LH-100M	10	25(21)	14.0(16.0)	11.0(11.5)	1M
CMI-MMPP13055LH-150M	15	36(30)	12.0(13.0)	9.0(9.5)	1M

- Isat: When based on the inductance change rate (Approximately 30% below in the initial value)
- Itemp: When based on the temperature increase (Temperature increase of approximately 40°C by self heating)
- Operating Temperature Range (including self temperature) : -40°C ~ +125 °c

Note 1 : Circuit design, component placement, PCB trace size and thickness, airflow and other cooling. Provision all affect the part Temperature. Part temperature should be verified in the end application.

▪ **You can also contact us by e-mail : coilmaster@coilmaster.com**

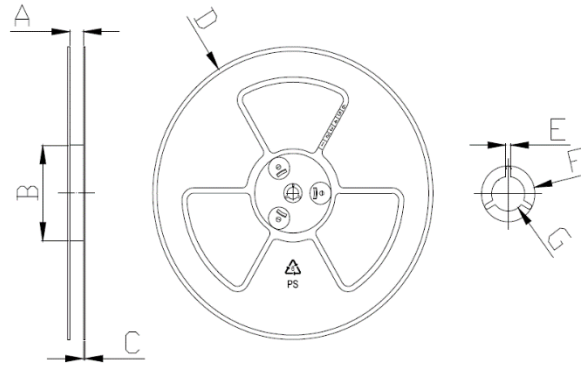
- All specifications are subject to change without notice.
- Update date : 2021.06.28

www.coilmaster.com

Packaging

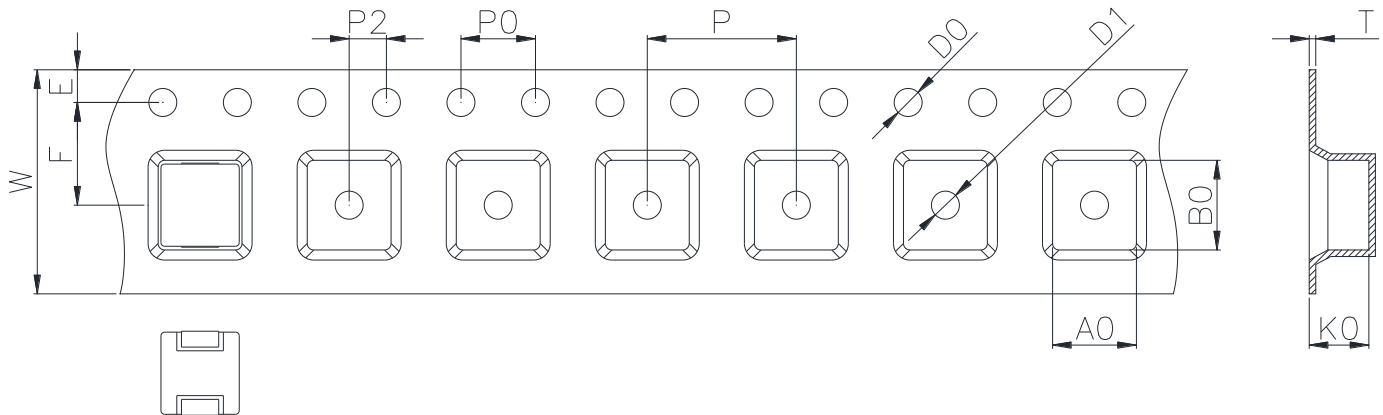
(1) Package quantity : 350 (pcs/reel)

(2) Reel Dimensions (unit:mm)



A	B	C	D	E	F	G
24.50	100.0	2.30	330.0	2.30	21.50	13.00
+0.50	+1.00	+0.20	+3.00	+0.30	+0.30	+0.50
-0.50	-1.00	-0.20	-3.00	-0.30	-0.30	-0.20

(3) Tape Dimensions



W	A0	B0	K0	E	F	P	P0	P2	D0/D1	T
24.00	13.00	14.20	5.80	1.75	11.50	20.00	4.00	2.00	1.50	0.40
+0.30	+0.10	+0.10	+0.15	+0.10	+0.10	+0.10	+0.10	+0.10	+0.10	+0.05
-0.10	-0.10	-0.00	-0.10	-0.10	-0.10	-0.10	-0.10	-0.10	-0.00	-0.05

Korea Sales Office (KOREA) +82)31-904-1444
 China Sales Office (CHINA) +86)0758-683-1444
 Hungary Sales office (EUROPE) +36)1-404-5832

H.K Sales Office (HONGKONG) +852)2711-5551
 LA Sales Office (USA) +1)714-616-6989

• You can also contact us by e-mail : coilmaster@coilmaster.com

- All specifications are subject to change without notice.
- Update date : 2021.06.28

www.coilmaster.com