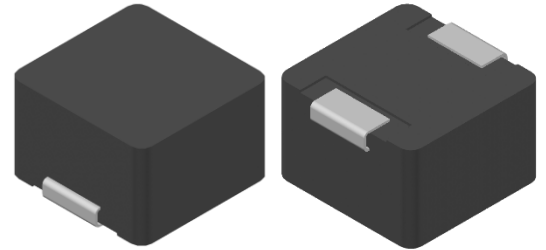


CMI-MMPP13070LH-SERIES

Features

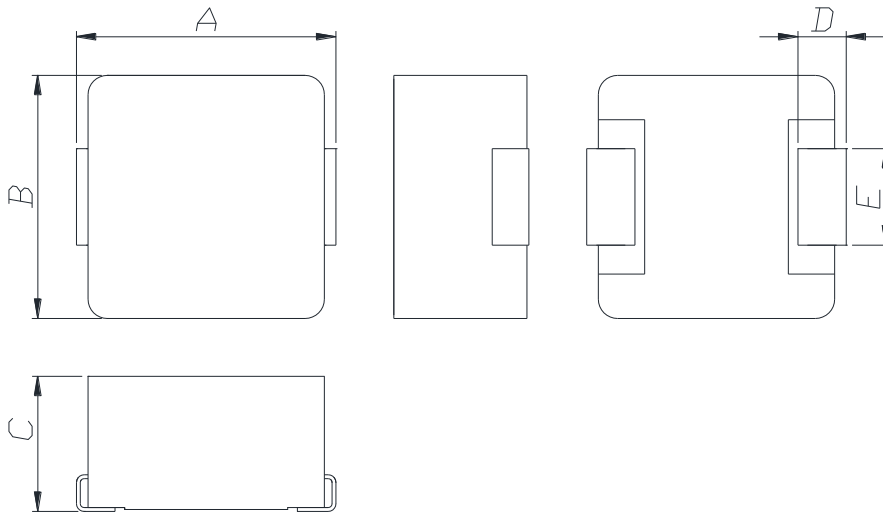
- ▶ Metal powder molding type for EMC protection.
- ▶ Available tape and reel for auto insertion.
- ▶ Halogen-Free.
- ▶ RoHS compliant.



Applications

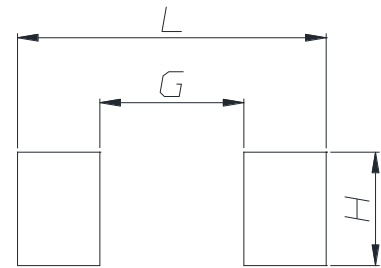
- ▶ For DC/DC converter, AV equipment digital consumer electronics

Dimension (Unit:mm)



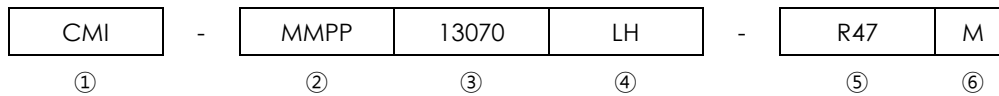
A	B	C	D	E
13.65 ±0.5	12.6 ±0.4	7.0 Max.	2.0 ±0.5	5.0 ±0.2

Land Pattern (Unit:mm)



L	G	H
15.0	7.0	5.5

Regulation of part number



- ① CoilMaster's initial
- ② Series Name : Metal Molded Pin type Power inductor
- ③ Core Size (unit:mm)
- ④ Material
- ⑤ Typical inductance value (0.47 uH)
- ⑥ Inductance tolerance ($\pm 20\%$)

Specifications

Part Number	Inductance (uH) $\pm 20\%$	DCR(mohm) Max.(Typ.)	Isat(A) Max.(Typ.)	Itemp(A) Max.(Typ.)	Test Frequency (Hz)
CMI-MMPP13070LH-R47M	0.47	1.4(1.2)	60.0(70.0)	36.5(37.5)	1M
CMI-MMPP13070LH-1R0M	1.0	1.8(1.5)	45.0(50.0)	34.0(35.0)	1M
CMI-MMPP13070LH-1R5M	1.5	3.3(2.8)	43.0(48.0)	28.0(29.0)	1M
CMI-MMPP13070LH-2R2M	2.2	4(3.3)	35.0(37.0)	26.5(27.5)	1M
CMI-MMPP13070LH-3R3M	3.3	6.5(5.4)	34.0(36.0)	22.0(23.0)	1M
CMI-MMPP13070LH-4R7M	4.7	10.5(9)	26.0(28.0)	16.0(17.0)	1M
CMI-MMPP13070LH-6R8M	6.8	11.4(9.5)	24.0(26.0)	15.0(16.0)	1M
CMI-MMPP13070LH-100M	10	16(13.2)	18.0(20.0)	11.0(11.5)	1M
CMI-MMPP13070LH-150M	15	30(25)	12.0(14.0)	10.0(10.5)	1M
CMI-MMPP13070LH-220M	22	38(32)	11.0(12.0)	8.0(8.5)	1M
CMI-MMPP13070LH-330M	33	58(50)	10.0(11.0)	7.5(8.0)	1M
CMI-MMPP13070LH-470M	47	78(65)	9.0(10.0)	6.5(7.0)	1M

- Isat: When based on the inductance change rate (Approximately 30% below in the initial value)
- Itemp: When based on the temperature increase (Temperature increase of approximately 40°C by self heating)
- Operating Temperature Range (including self temperature) : -40°C ~ +125 °C

Note 1 : Circuit design, component placement, PCB trace size and thickness, airflow and other cooling. Provision all affect the part Temperature. Part temperature should be verified in the end application.

▪ **You can also contact us by e-mail : coilmaster@coilmaster.com**

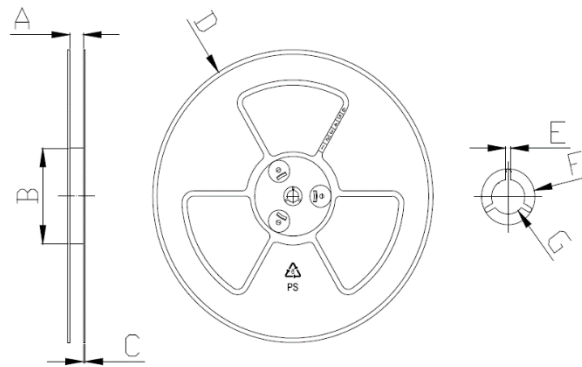
- All specifications are subject to change without notice.
- Update date : 2020.09.26

www.coilmaster.com

Packaging

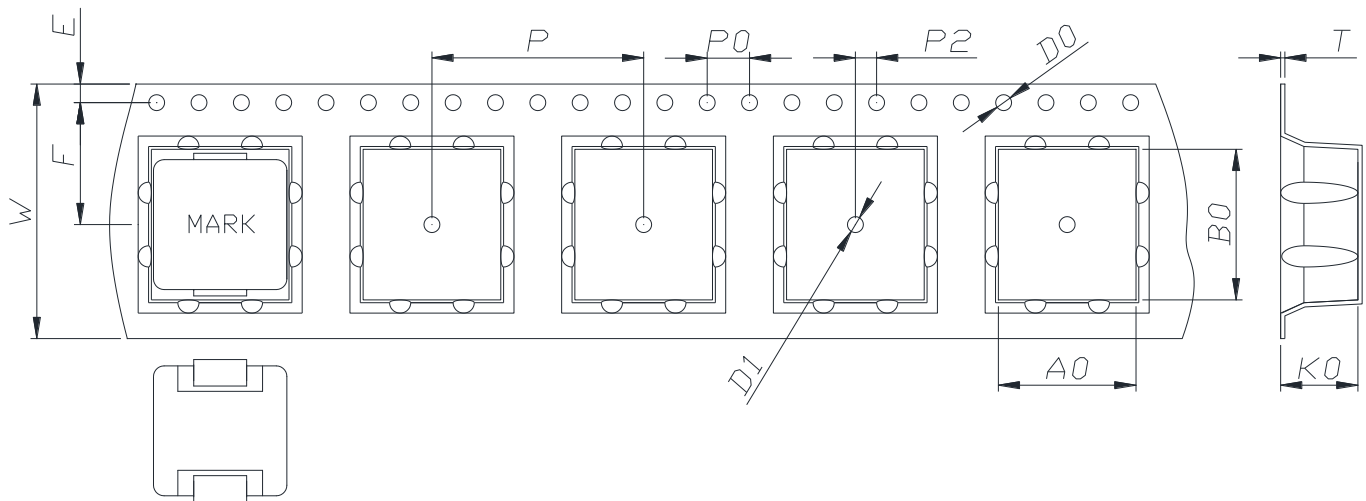
(1) Package quantity : 300 (pcs/reel)

(2) Reel Dimensions (unit:mm)



A	B	C	D	E	F	G
24.50	100.0	2.30	330.0	2.30	21.50	13.00
+0.50	+1.00	+0.20	+3.00	+0.30	+0.30	+0.50
-0.50	-1.00	-0.20	-3.00	-0.30	-0.30	-0.20

(3) Tape Dimensions



W	A0	B0	K0	E	F	P	P0	P2	D0/D1	T
24.00	13.00	14.20	7.30	1.75	11.50	20.00	4.00	2.00	1.50	0.40
+0.30	+0.10	+0.10	+0.10	+0.10	+0.10	+0.10	+0.10	+0.10	+0.10	+0.05
-0.30	-0.10	-0.00	-0.10	-0.10	-0.10	-0.10	-0.10	-0.10	-0.00	-0.05

Korea Sales Office (KOREA) +82)31-904-1444
 China Sales Office (CHINA) +86)0758-683-1444
 Hungary Sales office (EUROPE) +36)1-404-5832

H.K Sales Office (HONGKONG) +852)2711-5551
 LA Sales Office (USA) +1)714-616-6989

• You can also contact us by e-mail : coilmaster@coilmaster.com

- All specifications are subject to change without notice.
- Update date : 2020.09.26

www.coilmaster.com