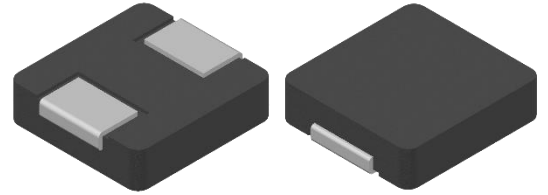


CMI-MMPP6018LH-N SERIES

Features

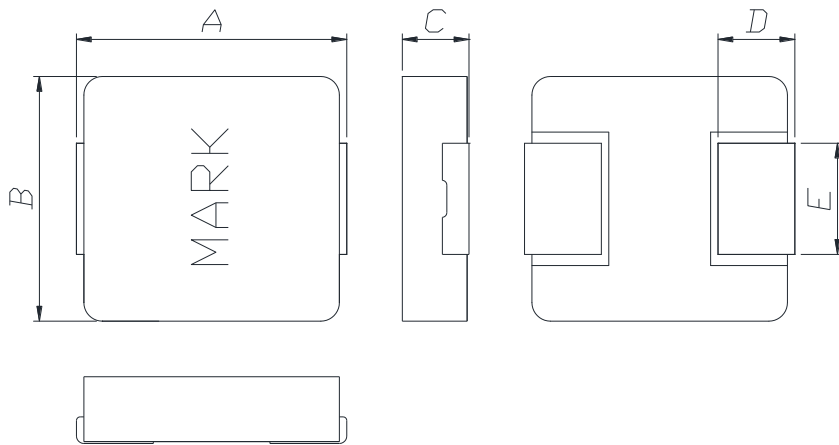
- ▶ Low profile.
- ▶ Metal powder molding type for EMC protection.
- ▶ Available tape and reel for auto insertion.
- ▶ Halogen-Free.
- ▶ RoHS compliant.



Applications

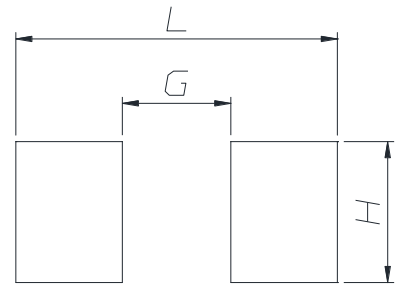
- ▶ For DC/DC converter, AV equipment digital consumer electronics

Dimension (Unit:mm)



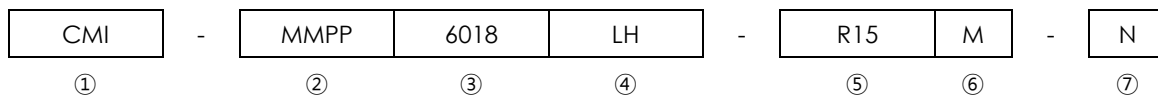
A	B	C	D	E
6.95 ±0.45	6.6 ±0.25	1.8 Max.	1.8 ±0.3	3.0 ±0.3

Land Pattern (Unit:mm)



L	G	H
8.0	3.7	3.5

Regulation of part number



- ① CoilMaster's initial
- ② Series Name : Metal Molded Pin type Power inductor
- ③ Core Size (unit:mm)
- ④ Material
- ⑤ Typical inductance value (0.15uH)
- ⑥ Inductance tolerance ($\pm 20\%$)
- ⑦ Revision (N)

Specifications

Part Number	Inductance (uH) $\pm 20\%$	DCR(mohm) Max.(Typ.)	Isat(A) Max.(Typ.)	Itemp(A) Max.(Typ.)	Test Frequency (Hz)
CMI-MMPP6018LH-R15M-N	0.15	3.4(2.8)	35.0(45.0)	16.0(18.0)	1M
CMI-MMPP6018LH-R22M-N	0.22	3.8(3.2)	30.0(40.0)	15.0(17.0)	1M
CMI-MMPP6018LH-R33M-N	0.33	6.6(5.5)	23.0(28.0)	12.0(13.0)	1M
CMI-MMPP6018LH-R47M-N	0.47	9.6(8)	21.0(26.0)	9.0(9.5)	1M
CMI-MMPP6018LH-R68M-N	0.68	12(10)	17.0(20.0)	8.5(9.0)	1M
CMI-MMPP6018LH-1R0M-N	1.0	20.4(17)	15.0(17.0)	7.5(8.0)	1M
CMI-MMPP6018LH-1R5M-N	1.5	22.8(19)	11.0(13.0)	6.5(7.0)	1M
CMI-MMPP6018LH-2R2M-N	2.2	38.4(32)	9.5(10.5)	5.0(5.5)	1M
CMI-MMPP6018LH-3R3M-N	3.3	59(49)	7.5(8.5)	4.3(4.8)	1M
CMI-MMPP6018LH-4R7M-N	4.7	96(80)	6.5(7.5)	3.3(3.5)	1M
CMI-MMPP6018LH-6R8M-N	6.8	108(90)	5.5(6.5)	3.0(3.2)	1M
CMI-MMPP6018LH-100M-N	10	192(160)	4.0(5.0)	2.3(2.5)	1M

- Isat: When based on the inductance change rate (Approximately 30% below in the initial value)
- Itemp: When based on the temperature increase (Temperature increase of approximately 40°C by self heating)
- Operating Temperature Range (including self temperature) : -40°C ~ +125 °c

Note 1 : Circuit design, component placement, PCB trace size and thickness, airflow and other cooling. Provision all affect the part Temperature. Part temperature should be verified in the end application.

▪ **You can also contact us by e-mail : coilmaster@coilmaster.com**

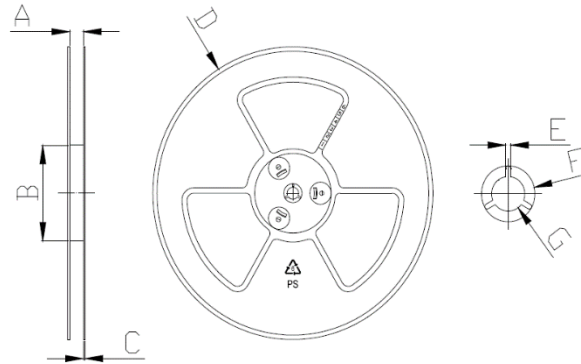
- All specifications are subject to change without notice.
- Update date : 2020.09.17

www.coilmaster.com

Packaging

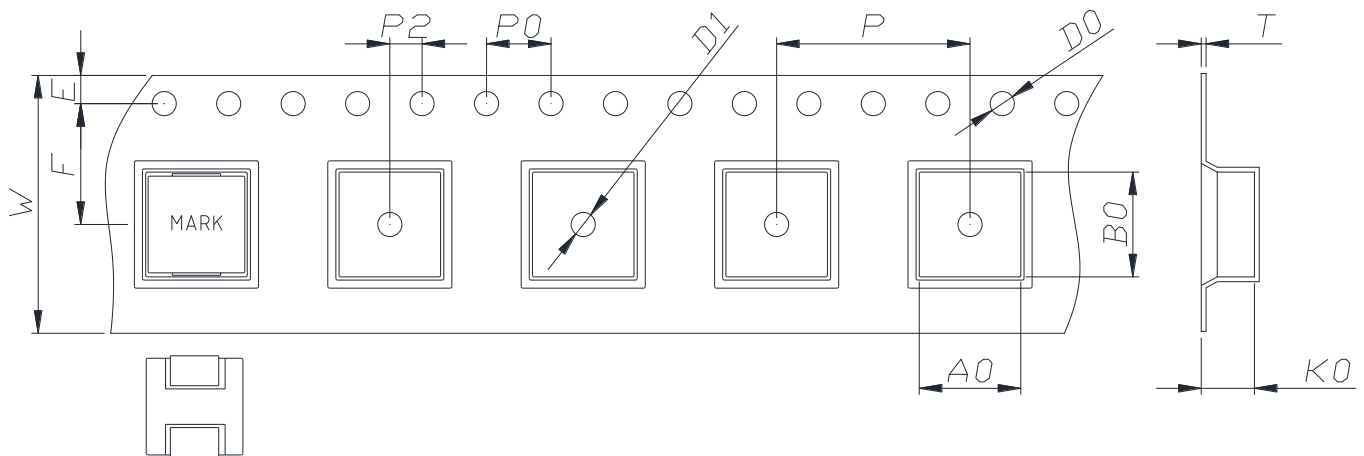
(1) Package quantity : 2,000 (pcs/reel)

(2) Reel Dimensions (unit:mm)



A	B	C	D	E	F	G
16.50	100.0	2.00	330.0	2.30	21.50	13.00
+0.50	+1.00	+0.10	+3.00	+0.30	+0.30	+0.50
-0.50	-1.00	-0.10	-3.00	-0.30	-0.30	-0.20

(3) Tape Dimensions



W	A0	B0	K0	E	F	P	P0	P2	D0/D1	T
16.00	7.00	7.50	2.20	1.75	7.50	12.00	4.00	2.00	1.50	0.30
+0.30	+0.10	+0.10	+0.10	+0.10	+0.10	+0.10	+0.10	+0.10	+0.10	+0.05
-0.10	-0.10	-0.10	-0.10	-0.10	-0.10	-0.10	-0.10	-0.10	-0.00	-0.05

Korea Sales Office (KOREA) +82)31-904-1444
 China Sales Office (CHINA) +86)0758-683-1444
 Hungary Sales office (EUROPE) +36)1-404-5832

H.K Sales Office (HONGKONG) +852)2711-5551
 LA Sales Office (USA) +1)714-616-6989

• You can also contact us by e-mail : coilmaster@coilmaster.com

- All specifications are subject to change without notice.
- Update date : 2020.09.17

www.coilmaster.com