

# CMI-PMCI2012-SERIES

## Features

- ▶ Halogen-Free / RoHS compliant.
- ▶ 0.9 mm in height, which is suitable for low-profile applications.
- ▶ Stable low DC resistance.
- ▶ Comparing with a winding type, this series is small, low height, and high efficiency.
- ▶ No cross coupling between inductors due to magnetic shield and is suitable for high density printed circuit boards.

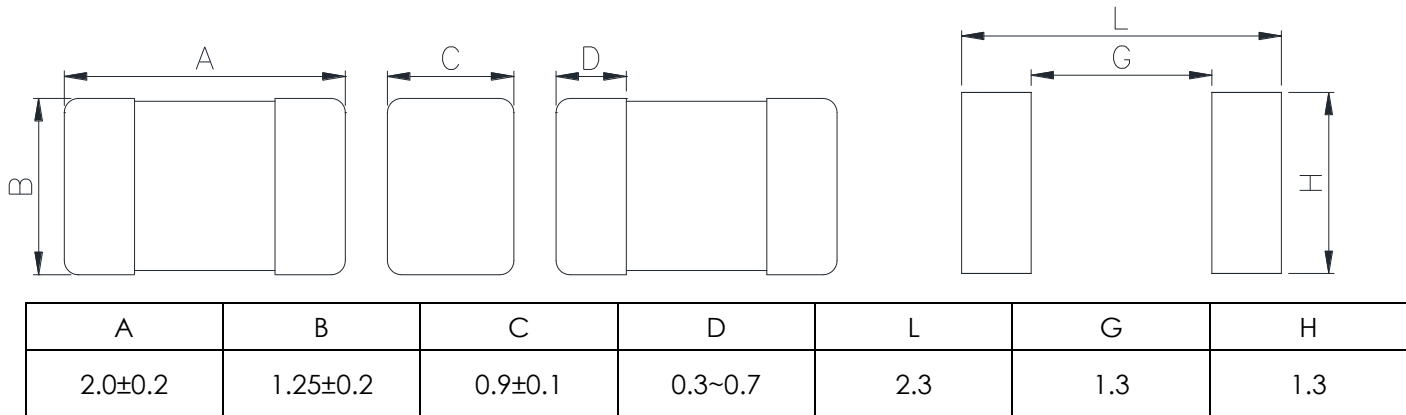


## Applications

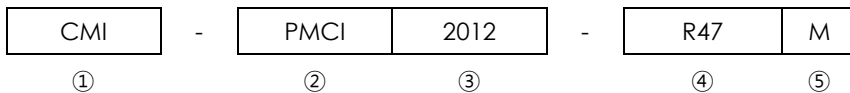
- ▶ DC-DC Converters and power modules can be applied in the following products.  
For example, Cellular phone, DSC, DVC, PDA, DVD and HDD

### Dimension (Unit:mm)

### Land Pattern (Unit:mm)



## Regulation of part number



- ① CoilMaster's initial
- ② Product Series Name
- ③ Core Size (unit:mm)
- ④ Inductance Value (R47 : 0.47 uH)
- ⑤ Inductance Tolerance (G : ±2%, J : ±5%, K : ±10%, M : ±20%)

• You can also contact us by e-mail : [coilmaster@coilmaster.com](mailto:coilmaster@coilmaster.com)  
 • All specifications are subject to change without notice.  
 • Update date : 2023.03.29

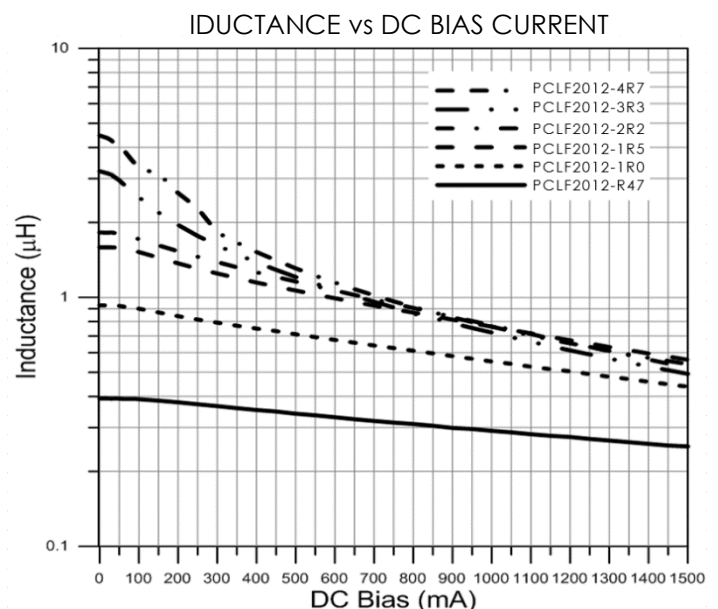
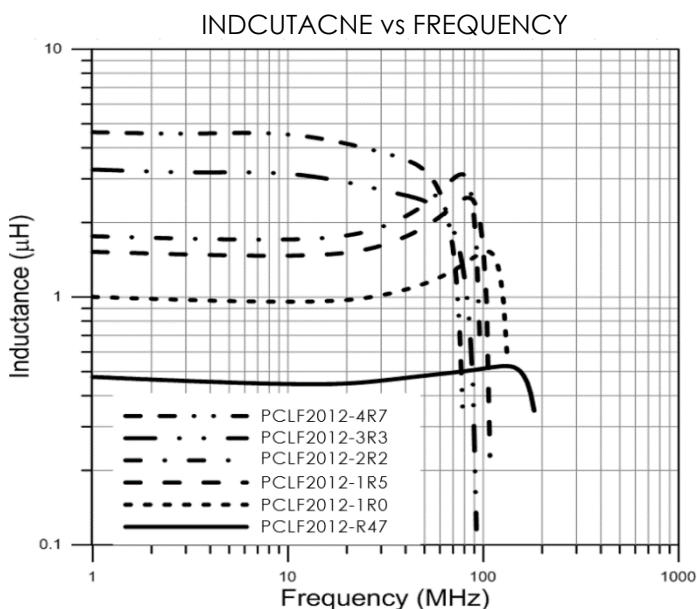
## Specifications

Part Number	Inductance (uH) $\pm 20\%$	Self-Resonant Frequency (MHz) Min.	DC Resistance (ohm) $\pm 25\%$	Rated Current (mA) Max.
CMI-PMCI2012-R47M	0.47	100	0.10	1100
CMI-PMCI2012-R68M	0.68	100	0.12	1000
CMI-PMCI2012-R82M	0.82	90	0.14	900
CMI-PMCI2012-1R0M	1.0	90	0.16	800
CMI-PMCI2012-1R2M	1.2	80	0.16	800
CMI-PMCI2012-1R5M	1.5	70	0.22	700
CMI-PMCI2012-1R8M	1.8	60	0.22	700
CMI-PMCI2012-2R2M	2.2	50	0.25	600
CMI-PMCI2012-3R3M	3.3	40	0.22	500
CMI-PMCI2012-4R7M	4.7	30	0.30	500

- Test Condition : 1 MHz
- Rated Current : the DC current value having temperature increased 40 °c after thru DC current 2 hours at ambient temperature.
- Storage Temperature Range : -40 °c ~ +85 °c
- Operating Temperature Range : -55 °c ~ +125 °c

Note 1 : Circuit design, component placement, PCB trace size and thickness, airflow and other cooling. Provision all affect the part Temperature. Part temperature should be verified in the end application.

## Electrical characteristics

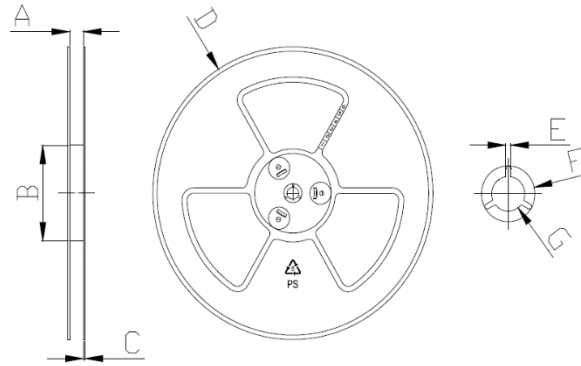


- You can also contact us by e-mail : [coilmaster@coilmaster.com](mailto:coilmaster@coilmaster.com)
- All specifications are subject to change without notice.
- Update date : 2023.03.29

## Packaging

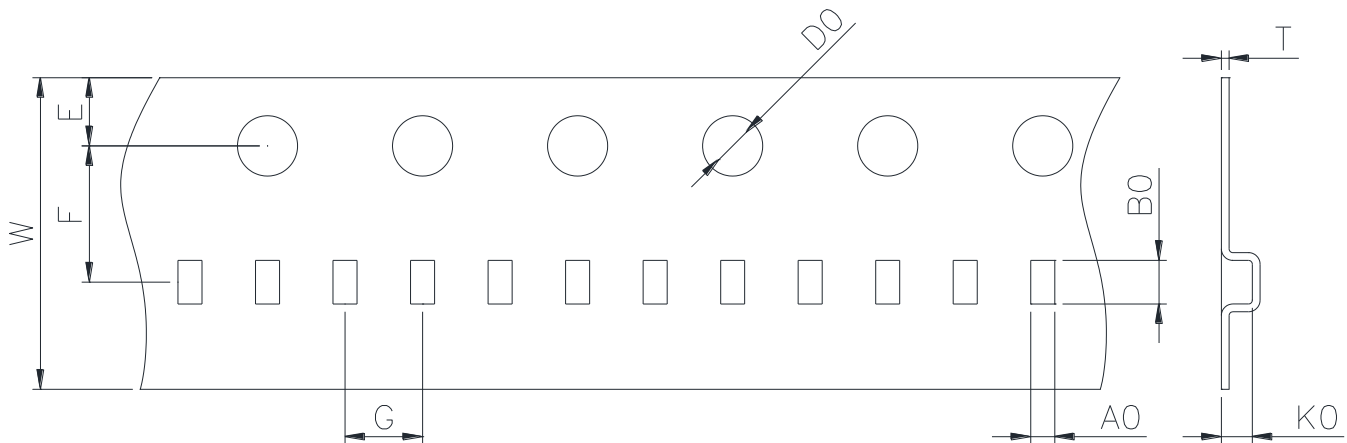
(1) Package quantity : 4,000 (pcs/reel)

(2) Reel Dimensions (unit:mm)



A	B	C	D	E	F	G
10.00	60.00	2.00	178.0	2.00	21.00	13.00
+1.50	+2.00	+0.50	+2.00	+0.50	+0.80	+0.80
-1.50	-2.00	-0.50	-2.00	-0.50	-0.80	-0.80

(3) Tape Dimensions



W	A0	B0	T	E	F	G	D0	K0
8.00	1.55	2.30	0.20	1.75	3.50	4.00	1.50	1.20
+0.20	+0.10	+0.10	+0.05	+0.10	+0.05	+0.10	+0.10	+0.05
-0.20	-0.10	-0.10	-0.05	-0.10	-0.05	-0.10	-0.00	-0.05

Ilsan Sales Office (KOREA) +82)31-904-1444  
 China Sales Office (CHINA) +86)758-278-7031  
 Hungary Sales office (EUROPE) +36)1-899-8543

H.K Sales Office (HONGKONG) +852)2711-5551  
 LA Sales Office (USA) +1)866-446-3586

• You can also contact us by e-mail : [coilmaster@coilmaster.com](mailto:coilmaster@coilmaster.com)

- All specifications are subject to change without notice.
- Update date : 2023.03.29

[www.coilmaster.com](http://www.coilmaster.com)