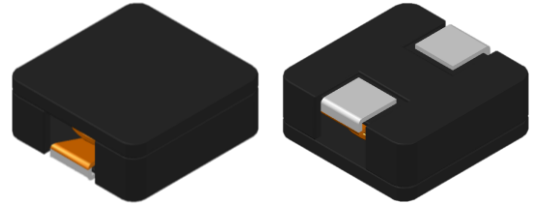




CMI-SSMF10040MH-SERIES

Features

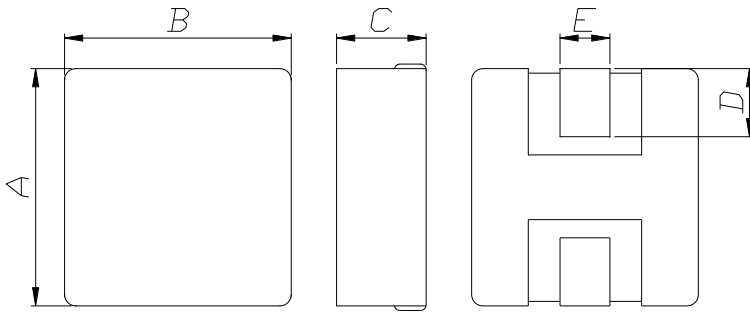
- ▶ High current and low profile/ Low DC resistance
- ▶ Magnetic shielding for high-density packaging
- ▶ Available tape and reel for auto insertion.
- ▶ Halogen-Free / RoHS compliant.



Applications

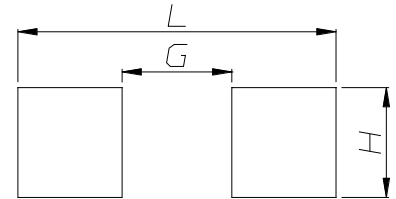
- ▶ Graphic cards / Industrial computers, DC/DC converters / Motherboards / Filter, High current switching regulators / Polyphase-switching regulations

Dimension (Unit:mm)



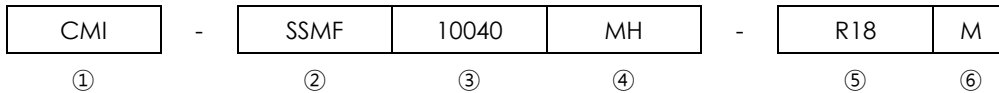
Value	A	B	C	D	E
R18~R66	10.5±1.0	10.2±0.5	4.0±0.3	2.5±0.5	2.5±0.3
1R0~6R8					2.0±0.3

Land Pattern (Unit:mm)



L	G	H
11.6	4.0	4.0

Regulation of part number



- ① CoilMaster's initial
- ② Series Name : Matal material Square Shield Flat wire type Power inductor
- ③ Core Size (unit:mm)
- ④ Material
- ⑤ Typical inductance value (0.18uH)
- ⑥ Inductance tolerance (±20%)

• You can also contact us by e-mail : coilmaster@coilmaster.com
 • All specifications are subject to change without notice.
 • Update date : 2021.03.10

Specifications

Part Number	Inductance (μH) $\pm 20\%$	DCR(mohm) Max.(Typ.)	Isat(A) Typ.	Irms(A) Typ.	Test Frequency (Hz)
CMI-SSMF10040MH-R18M	0.18	0.70(0.61)	60.00	30.00	100k
CMI-SSMF10040MH-R38M	0.38	1.28(1.11)	50.00	22.00	100k
CMI-SSMF10040MH-R56M	0.56	1.771	30.00	20.00	100k
CMI-SSMF10040MH-R66M	0.66	2.20(1.84)	40.00	18.00	100k
CMI-SSMF10040MH-1R0M	1.0	3.50(3.01)	32.00	16.00	100k
CMI-SSMF10040MH-1R5M	1.5	5.50(4.64)	28.00	14.00	100k
CMI-SSMF10040MH-2R2M	2.2	7.90(6.90)	22.00	11.00	100k
CMI-SSMF10040MH-2R7M	2.7	7.90(6.90)	15.00	11.00	100k
CMI-SSMF10040MH-3R5M	3.5	10.00(8.65)	13.00	9.50	100k
CMI-SSMF10040MH-4R5M	4.5	13.00(11.30)	11.00	8.00	100k
CMI-SSMF10040MH-5R6M	5.6	15.80(13.70)	10.00	7.20	100k
CMI-SSMF10040MH-6R8M	6.8	23.60(20.50)	9.50	5.60	100k

- Isat: When based on the inductance change rate (approximately 30% below in the initial value)
- Irms: When based on the temperature increase (Temperature increase of approximately 50°C by self heating)
- Operating Temperature Range(including self temperature) : -40°C ~ +125 °C

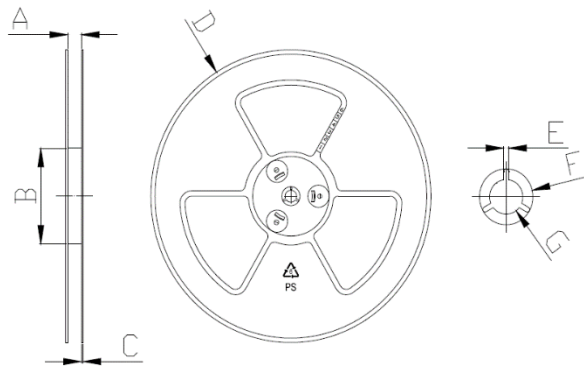
Note 1 : Circuit design, component placement, PCB trace size and thickness, airflow and other cooling. Provision all affect the part Temperature. Part temperature should be verified in the end application.

- **You can also contact us by e-mail : coilmaster@coilmaster.com**
- All specifications are subject to change without notice.
- Update date : 2021.03.10

Packaging

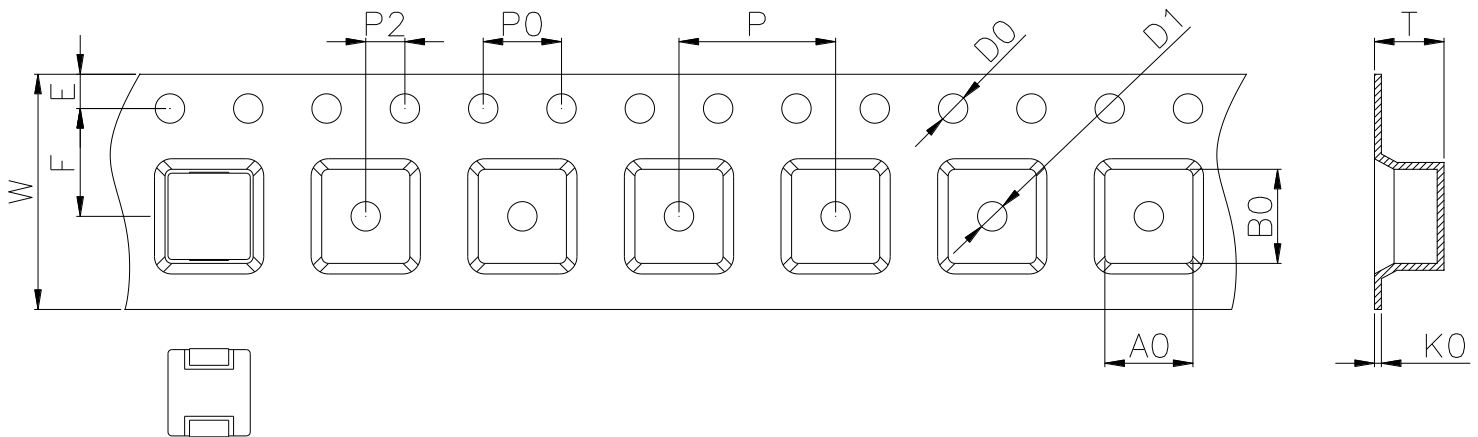
(1) Package quantity : 800 (pcs/reel)

(2) Reel Dimensions (unit:mm)



A	B	C	D	E	F	G
24.50	100.0	2.30	330.0	2.30	21.50	13.00
+0.50	+1.00	+0.20	+3.00	+0.30	+0.30	+0.50
-0.50	-1.00	-0.20	-3.00	-0.30	-0.30	-0.20

(3) Tape Dimensions



W	A0	B0	K0	E	F	P	P0	P2	D0/D1	T
24.00	10.80	11.30	5.00	1.75	11.50	16.00	4.00	2.00	1.50	0.40
+0.30	+0.10	+0.10	+0.10	+0.10	+0.10	+0.10	+0.10	+0.10	+0.05	+0.05
-0.30	-0.10	-0.10	-0.10	-0.10	-0.10	-0.10	-0.10	-0.10	-0.05	-0.05

Ilisan Sales Office (KOREA) +82)31-904-1444
 Shenzhen Sales Office (CHINA) +86)755-8663-6929
 Hungary Sales office (EUROPE) +36)30-913-7706

H.K Sales Office (HONGKONG) +852)2711-5551
 LA Sales Office (USA) +1)866-446-3586

• You can also contact us by e-mail : coilmaster@coilmaster.com

- All specifications are subject to change without notice.
- Update date : 2021.03.10

www.coilmaster.com