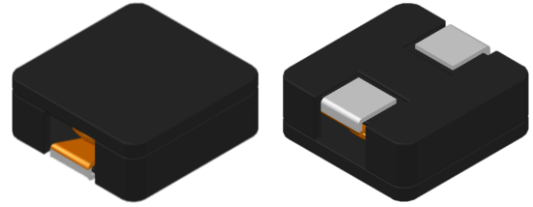


CMI-SSMF12065MH-SERIES

Features

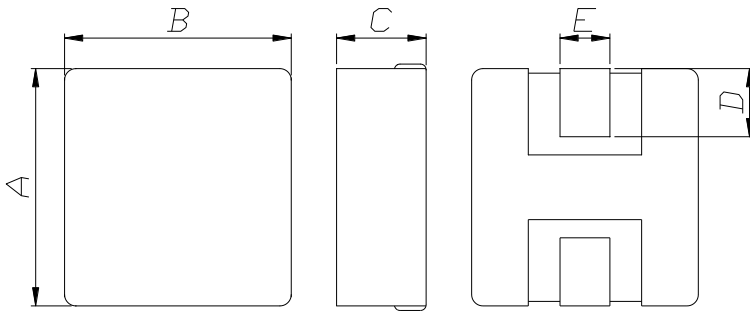
- ▶ High current and low profile/ Low DC resistance
- ▶ Magnetic shielding for high-density packaging
- ▶ Available tape and reel for auto insertion.
- ▶ Halogen-Free / RoHS compliant.



Applications

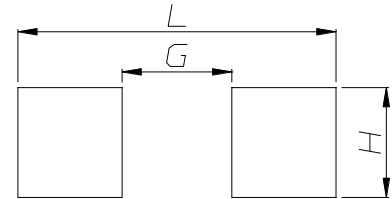
- ▶ Graphic cards / Industrial computers, DC/DC converters / Motherboards / Filter, High current switching regulators / Polyphase-switching regulations

Dimension (Unit:mm)



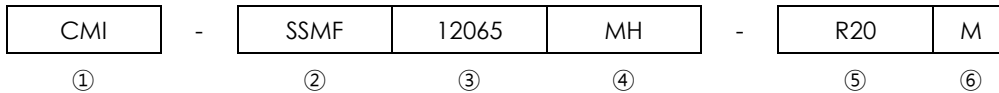
Value	A	B	C	D	E
R20~330	13.8	12.8±0.5	6.2±0.3	3.0±0.5	2.5±0.3
390~470	Max.				2.0±0.3

Land Pattern (Unit:mm)



L	G	H
15.0	6.0	5.0

Regulation of part number



- ① CoilMaster's initial
- ② Series Name : Matal material Square Shield Flat wire type Power inductor
- ③ Core Size (unit:mm)
- ④ Material
- ⑤ Typical inductance value (0.20uH)
- ⑥ Inductance tolerance (±20%)

• You can also contact us by e-mail : coilmaster@coilmaster.com
 • All specifications are subject to change without notice.
 • Update date : 2021.09.02

Specifications

Part Number	Inductance (uH) ±20%	DCR(mohm) Max.(Typ.)	Isat(A) Typ.	Irms(A) Typ.	Test Frequency (Hz)
CMI-SSMF12065MH-R20M	0.20	0.37(0.32)	70.00	36.00	100k
CMI-SSMF12065MH-R47M	0.47	0.75(0.65)	55.00	32.00	100k
CMI-SSMF12065MH-R85M	0.85	1.05(0.90)	50.00	26.00	100k
CMI-SSMF12065MH-1R3M	1.3	1.95(1.69)	35.00	25.00	100k
CMI-SSMF12065MH-2R0M	2.0	2.60(2.25)	30.00	23.00	100k
CMI-SSMF12065MH-2R7M	2.7	3.75(3.25)	28.00	20.00	100k
CMI-SSMF12065MH-3R6M	3.6	4.85(4.20)	24.00	17.00	100k
CMI-SSMF12065MH-4R7M	4.7	6.25(6.42)	21.00	14.00	100k
CMI-SSMF12065MH-5R8M	5.8	6.50(5.68)	18.00	13.00	100k
CMI-SSMF12065MH-7R3M	7.3	7.97(6.93)	13.00	12.00	100k
CMI-SSMF12065MH-9R2M	9.2	8.35(7.24)	12.00	12.00	100k
CMI-SSMF12065MH-110M	11.0	10.20(8.87)	11.00	11.00	100k
CMI-SSMF12065MH-130M	13.0	11.70(10.20)	10.00	10.00	100k
CMI-SSMF12065MH-150M	15.0	14.10(12.30)	9.50	9.00	100k
CMI-SSMF12065MH-180M	18.0	17.50(15.20)	8.50	8.50	100k
CMI-SSMF12065MH-220M	22.0	21.50(18.60)	8.00	8.00	100k
CMI-SSMF12065MH-270M	27.0	27.50(23.90)	6.50	6.50	100k
CMI-SSMF12065MH-330M	33.0	30.30(26.30)	6.00	5.50	100k
CMI-SSMF12065MH-390M	39.0	46.50(40.30)	5.70	4.50	100k
CMI-SSMF12065MH-470M	47.0	62.70(54.50)	5.00	4.00	100k

- Isat: When based on the inductance change rate (approximately 30% below in the initial value)
- Irms: When based on the temperature increase (Temperature increase of approximately 50°C by self heating)
- Operating Temperature Range(including self temperature) : -40°C ~ +125 °c

Note 1 : Circuit design, component placement, PCB trace size and thickness, airflow and other cooling. Provision all affect the part Temperature. Part temperature should be verified in the end application.

▪ You can also contact us by e-mail : coilmaster@coilmaster.com

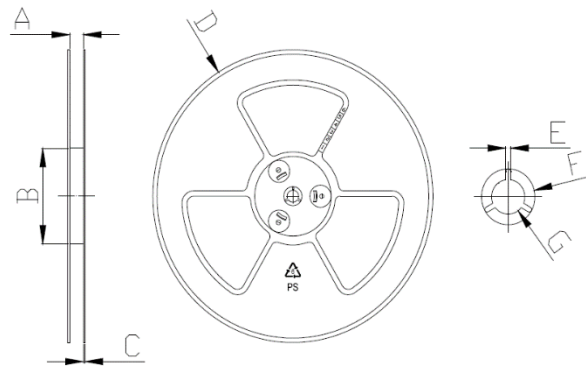
- All specifications are subject to change without notice.
- Update date : 2021.09.02

www.coilmaster.com

Packaging

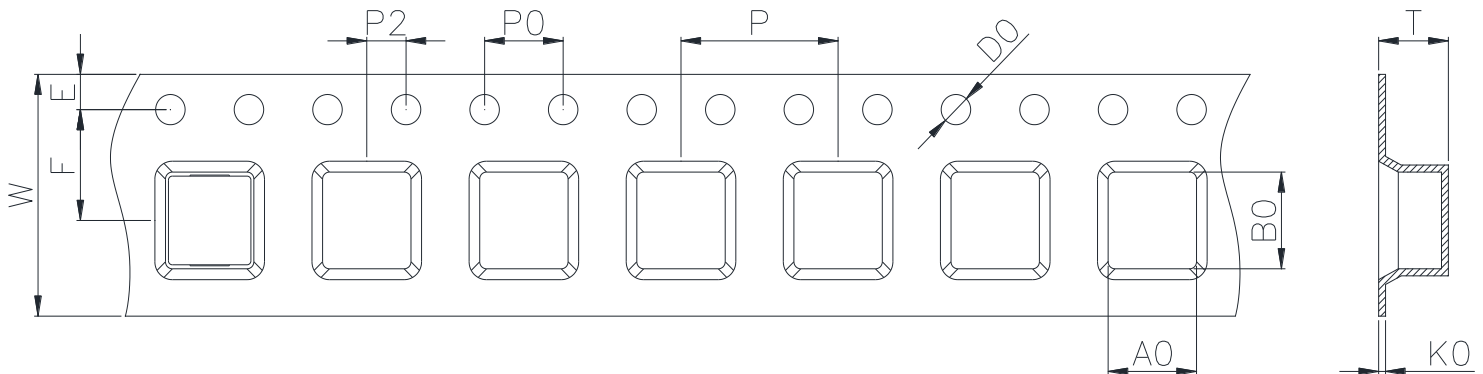
(1) Package quantity : 400 (pcs/reel)

(2) Reel Dimensions (unit:mm)



A	B	C	D	E	F	G
24.50	100.0	2.30	330.0	2.30	21.50	13.00
+0.50	+1.00	+0.20	+3.00	+0.30	+0.30	+0.50
-0.50	-1.00	-0.20	-3.00	-0.30	-0.30	-0.20

(3) Tape Dimensions



W	A0	B0	K0	E	F	P	P0	P2	D0/D1	T
24.00	13.60	13.70	7.00	1.75	11.50	16.00	4.00	2.00	1.50	0.40
+0.30	+0.10	+0.10	+0.10	+0.10	+0.10	+0.10	+0.10	+0.10	+0.05	+0.05
-0.30	-0.10	-0.10	-0.10	-0.10	-0.10	-0.10	-0.10	-0.10	-0.05	-0.05

Ilisan Sales Office (KOREA) +82)31-904-1444
 Shenzhen Sales Office (CHINA) +86)755-8663-6929
 Hungary Sales office (EUROPE) +36)30-913-7706

H.K Sales Office (HONGKONG) +852)2711-5551
 LA Sales Office (USA) +1)866-446-3586

• You can also contact us by e-mail : coilmaster@coilmaster.com

- All specifications are subject to change without notice.
- Update date : 2021.09.02

www.coilmaster.com