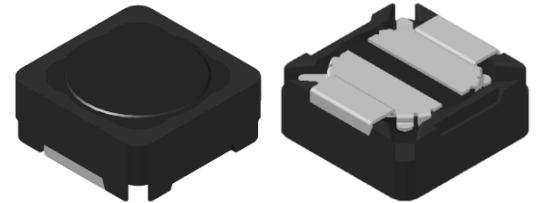


# CMI-SSP10040NH-SERIES

## Features

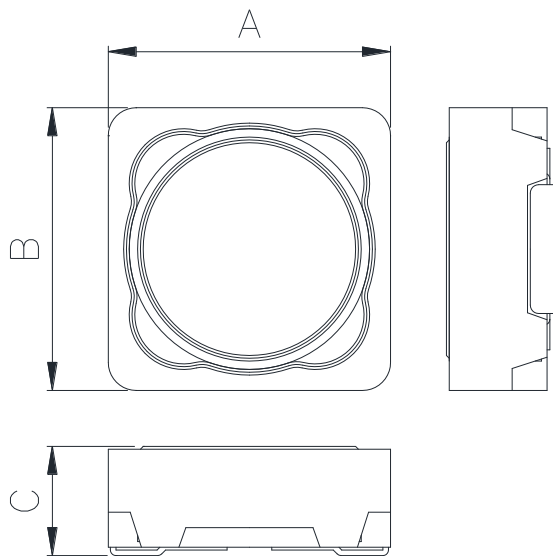
- ▶ SMD inductor
- ▶ It corresponds to High current.
- ▶ Simple and Shield structure.
- ▶ Available tape and reel for auto insertion.
- ▶ RoHS compliant.
- ▶ Halogen Free.



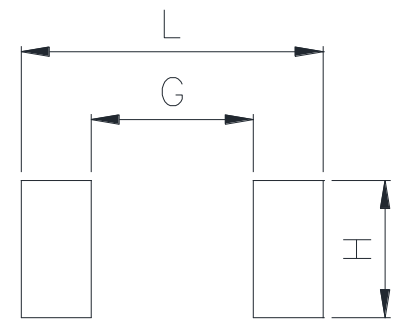
## Applications

- ▶ For small DC/DC converter (LCD/LED/OLED TV, PC, SETTOP etc).
- ▶ For Power supply circuits.

## Dimension (Unit:mm)

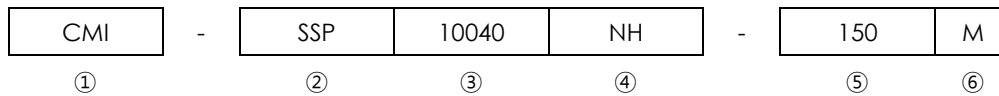


## Land Pattern (Unit:mm)



A	B	C	D	E	G	H	L
10.0 ±0.3	10.0 ±0.3	4.0 Max.	4.6 ±0.2	1.97 ±0.3	5.8	4.9	10.8

## Regulation of part number



- ① CoilMaster's initial
- ② Series Name : Car Shielded core Square shape Pin type Power Inductor
- ③ Core Size (unit:mm)
- ④ Type
- ⑤ Typical inductance value (15uH)
- ⑥ Inductance tolerance ( $\pm 20\%$ )

## Specifications

Part Number	Inductance (uH)	Tolerance ( $\pm$ )	DCR (mohm) Max.(Typ.)	Isat(A) Max.(Typ.)	Itemp(A) Max.(Typ.)	Test Frequency (Hz)
CMI-SSP10040NF-4R7M	4.7	20%	28(23)	6.20(6.50)	6.50(6.70)	100k
CMI-SSP10040NF-6R8M	6.8	20%	32.4(27)	5.00(5.30)	5.40(5.80)	100k
CMI-SSP10040NF-100M	10	20%	38.4(32)	4.60(4.80)	5.10(5.50)	100k
CMI-SSP10040NF-150M	15	20%	60(50)	3.80(3.90)	4.20(4.50)	100k
CMI-SSP10040NF-220M	22	20%	78(65)	3.10(3.30)	3.50(3.70)	100k
CMI-SSP10040NF-330M	33	20%	114(95)	2.50(2.60)	2.80(3.00)	100k
CMI-SSP10040NF-470M	47	20%	146(122)	2.20(2.25)	2.60(2.80)	100k
CMI-SSP10040NF-680M	68	20%	216(180)	1.75(1.85)	2.20(2.40)	100k
CMI-SSP10040NF-101M	100	20%	336(280)	1.40(1.45)	1.50(1.60)	100k
CMI-SSP10040NF-121M	120	20%	672(560)	0.95(1.00)	1.30(1.45)	100k

- Isat: When based on the inductance change rate (Approximately 30% below in the initial value)
- Itemp: When based on the temperature increase (Temperature increase of approximately 40°C by self heating)
- Operating Temperature Range (including self temperature) : -40°C ~ +125 °c

Note 1 : Circuit design, component placement, PCB trace size and thickness, airflow and other cooling. Provision all affect the part Temperature. Part temperature should be verified in the end application.

▪ **You can also contact us by e-mail : [coilmaster@coilmaster.com](mailto:coilmaster@coilmaster.com)**

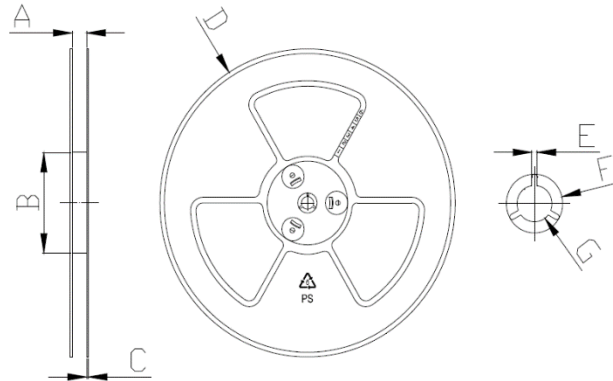
- All specifications are subject to change without notice.
- Update date : 2018.10.25

[www.coilmaster.com](http://www.coilmaster.com)

## Packaging

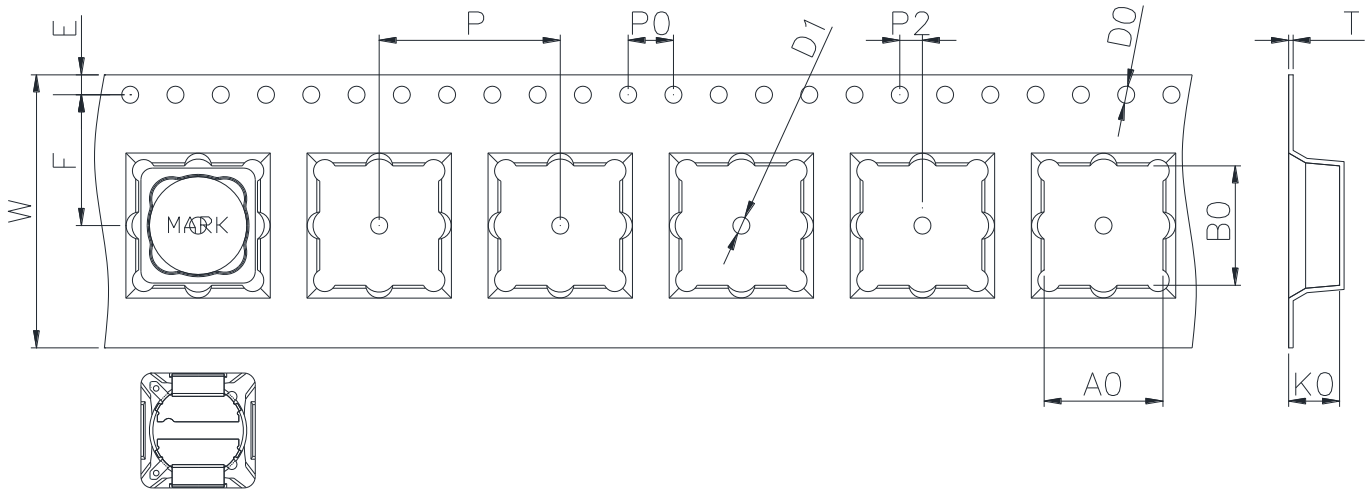
(1) Package quantity : 600 (pcs/reel)

(2) Reel Dimensions (unit:mm)



A	B	C	D	E	F	G
24.50	100.0	2.00	330.0	2.30	21.50	13.00
+0.50	+1.00	+0.10	+3.00	+0.30	+0.30	+0.50
-0.50	-1.00	-0.10	-3.00	-0.30	-0.30	-0.20

(3) Tape Dimensions



W	A0	B0	K0	E	F	P	P0	P2	D0/D1	T
24.00	10.50	10.50	4.40	1.75	11.50	16.00	4.00	2.00	1.50	0.40
+0.30	+0.10	+0.10	+0.10	+0.10	+0.10	+0.10	+0.10	+0.10	+0.25	+0.05
-0.10	-0.10	-0.10	-0.10	-0.10	-0.10	-0.10	-0.10	-0.10	-0.00	-0.05

Korea Sales Office (KOREA) +82)31-904-1444  
 China Sales Office (CHINA) +86)0758-683-1444  
 Hungary Sales office (EUROPE) +36)1-404-5832

H.K Sales Office (HONGKONG) +852)2711-5551  
 LA Sales Office (USA) +1)714-616-6989

• You can also contact us by e-mail : [coilmaster@coilmaster.com](mailto:coilmaster@coilmaster.com)

- All specifications are subject to change without notice.
- Update date : 2018.10.25

[www.coilmaster.com](http://www.coilmaster.com)